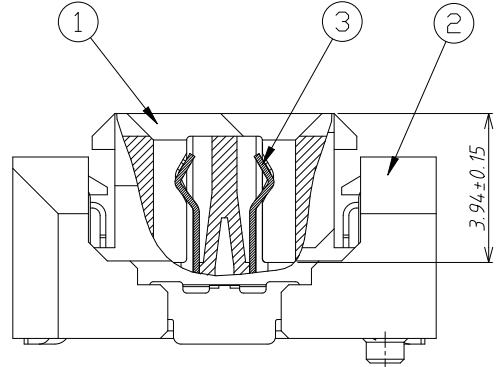
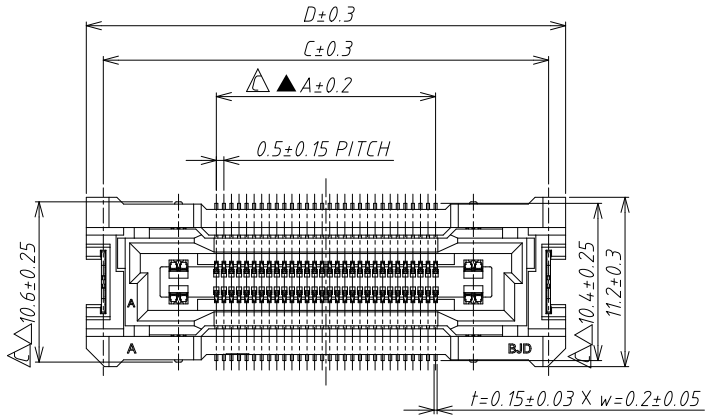
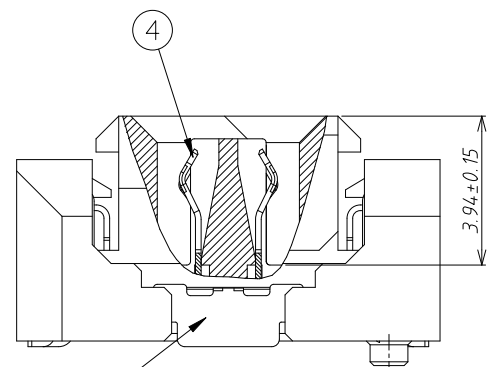


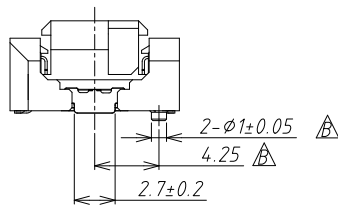
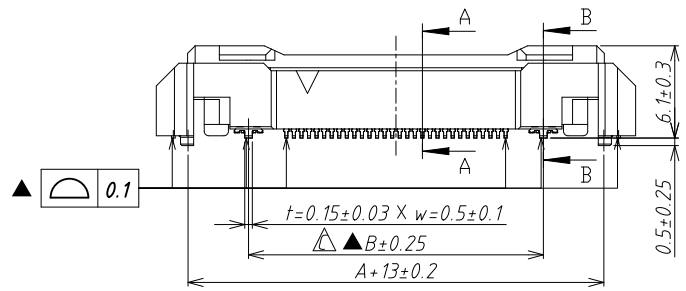
P/N	CKT	A	B	C	D	E
123045-6020X0-HF	20	4.50	9.50	19.45	21.70	21.11
123045-6030X0-HF	30	7.00	12.00	21.95	24.20	23.61
123045-6040X0-HF	40	9.50	14.50	24.45	26.70	26.11
123045-6050X0-HF	50	12.00	17.00	26.95	29.20	28.61
123045-6060X0-HF	60	14.50	19.50	29.45	31.70	31.11
123045-6080X0-HF	80	19.50	24.50	34.45	36.70	36.11
123045-6000X0-HF	100	24.50	29.50	39.45	41.70	41.11
123045-6002X0-HF	120	29.50	34.50	44.45	46.70	46.11



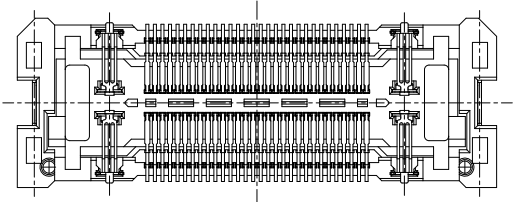
Section A-A
Scale 5:1



Section B-B
Scale 5:1

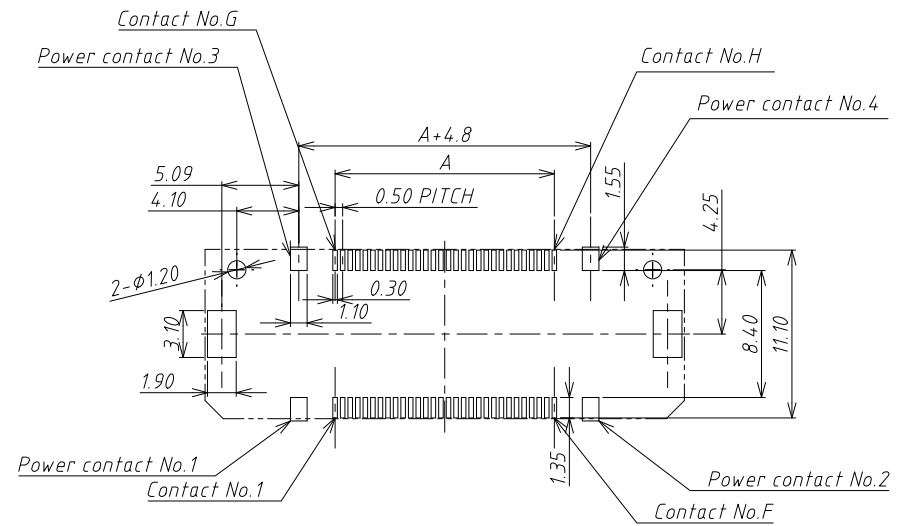
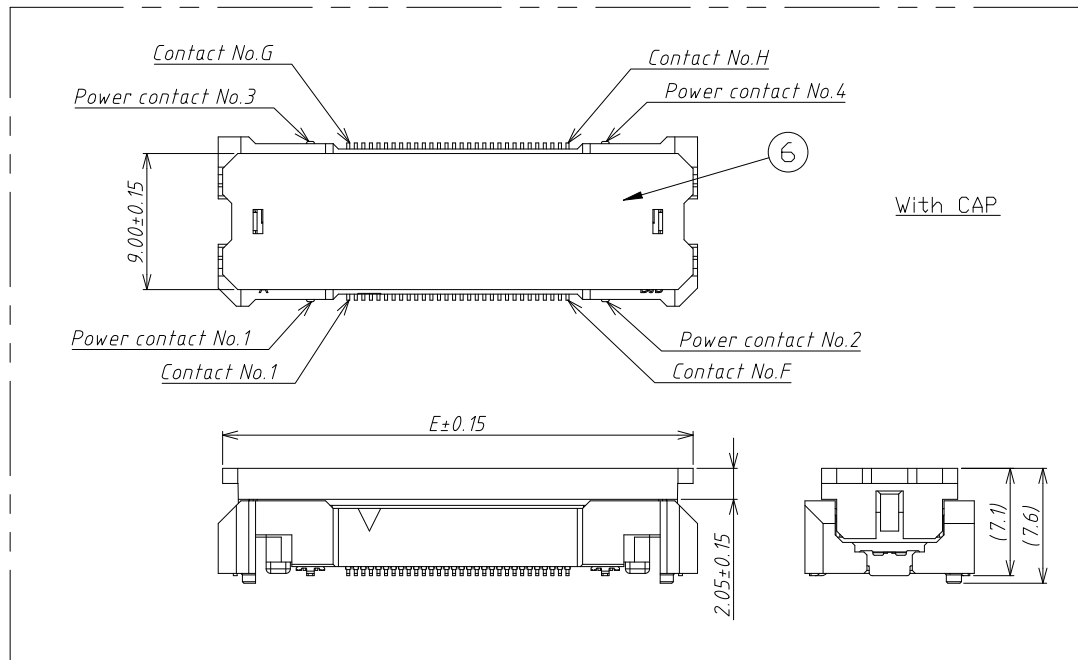


6	CAP	1	Polyamide, UL94V-0, Black	N/A
5	Hook	2	Copper alloy	Under: Ni 50~100u"; Tail: Tin 80~150u"
4	Power contact	4	Copper alloy	See Table-1.
3	Signal contact	Pin number	Copper alloy	See Table-1.
2	Guide	1	Polyamide, UL94V-0, Black	N/A
1	Insulator	1	Polyamide, UL94V-0, Black	N/A
No.	Part name	Quantity	Material	Plating



				UNLESS OTHERWISE SPECIFIED TOLERANCES ARE		客户图 Drawings		北极大电子科技有限公司 BEIJIDA ELECTRONICS TECHNOLOGY CO. LIMITED		
				X.		APPROVED	DATE	COMPUTER NO		
				X.X	±0.20	TS Chen	2022-08-01	123045-60XXX0-HF		
				X.XX	±0.10	CHECKED	DATE	NAME		
				X.XXX		QF DONG	2022-08-01	BTB0.5-5A REC (SMT TYPE) Page 1/2		
				ANG.	±0°30'	DRAWN	DATE	SIZE	SCALE	REV
						Kuan He	2022-08-01	A4	2:1	C
SER	REVISIONS	CHK	DATE	UNIT	MM					

SER	REVISIONS	CHK	DATE



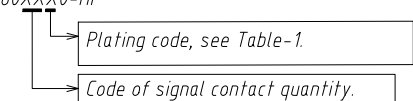
Recommended land pattern dimension of PCB
(PCB thickness: T=1.0mm, General tol ±0.05)

Table-1

Plating Code	Power contact			Signal contact		
	Under	Contact	Tail	Under	Contact	Tail
5	Ni 60~200u"	Au 4u" MIN.	Au 2~8u"	Ni 60~200u"	Au 4u" MIN.	Au 2~8u"
6	Ni 60~200u"	Au 1u" MIN.	Tin 80~150u"	Ni 60~200u"	Au 1u" MIN.	Tin 80~150u"
7	Ni 60~200u"	Au 30u" MIN.	Au 2~8u"	Ni 60~200u"	Au 30u" MIN.	Au 2~8u"

NOTES:

1. "▲" means Key dimensions, "△" means Important dimensions.
2. PART NO. Specifications : 123045-60XXX0-HF



				UNLESS OTHERWISE SPECIFIED TOLERANCES ARE	客户图 Drawings	北极大电子科技有限公司 BEIJIDA ELECTRONICS TECHNOLOGY CO. LIMITED			
				X. ±0.20	APPROVED	DATE	COMPUTER NO		
				X.X ±0.10	TS Chen	2022-08-01	123045-60XXX0-HF		
				X.XXX	CHECKED	DATE	NAME		
				ANG. ±0°30'	QF DONG	2022-08-01	BTB0.5-5A REC (SMT TYPE) Page 2/2		
				UNIT	DRAWN	DATE	SIZE	SCALE	REV
SER	REVISIONS	CHK	DATE	MM	Kuan He	2022-08-01	A4	2:1	C