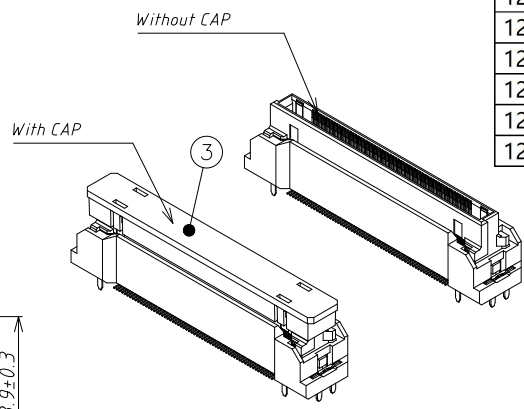
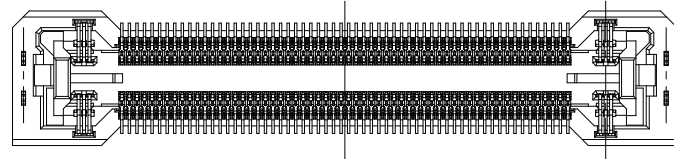
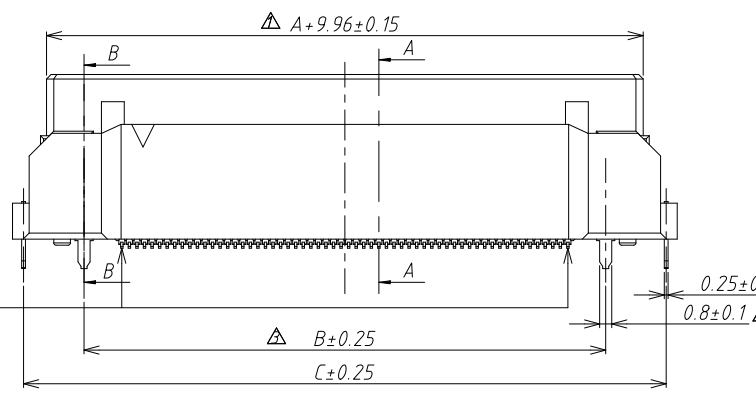
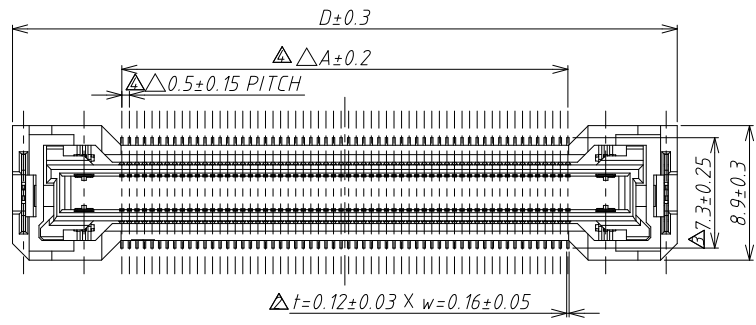
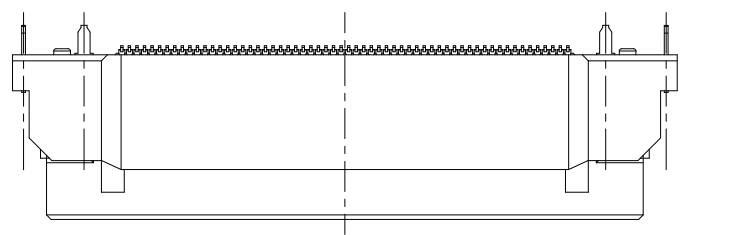


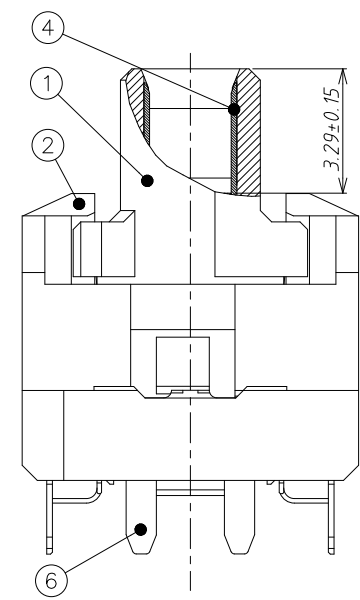
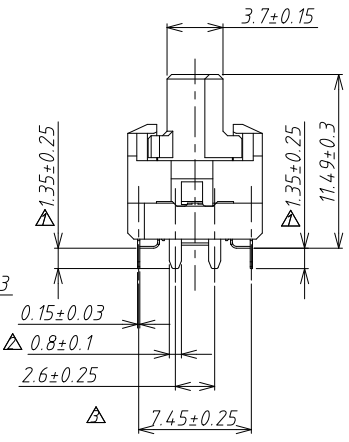
0 1 2 3 4 5 6 7 8 9

A
B
C
D
E
F
G
H
I
J

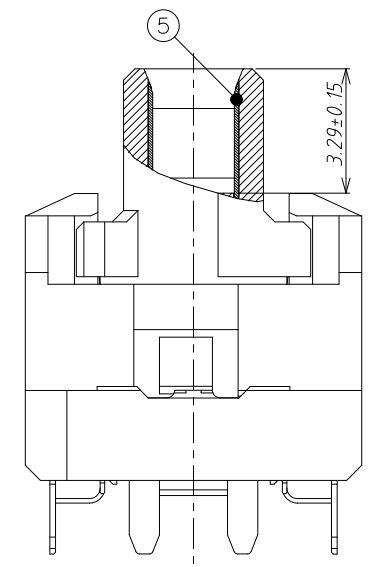


PART NUMBER	NO. OF CONTACTS	A	B	C	D	E
123037-602050	20	4.50	9.50	17.50	18.96	17.36
123037-603050	30	7.00	12.00	20.00	21.46	19.86
123037-604050	40	9.50	14.50	22.50	23.96	22.36
123037-605050	50	12.00	17.00	25.00	26.46	24.86
123037-606050	60	14.50	19.50	27.50	28.96	27.36
123037-608050	80	19.50	24.50	32.50	33.96	32.36
123037-600050	100	24.50	29.50	37.50	38.96	37.36
123037-600250	120	29.50	34.50	42.50	43.96	42.36

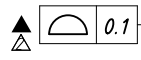
NOTES:
 1. "▲" means Key dimensions, "△" means Important dimensions.
 2. PART NO. Specifications : 123037-60XX50
 XX: Code of signal contact quantity



Section A-A
Scale 5:1



Section B-B
Scale 5:1

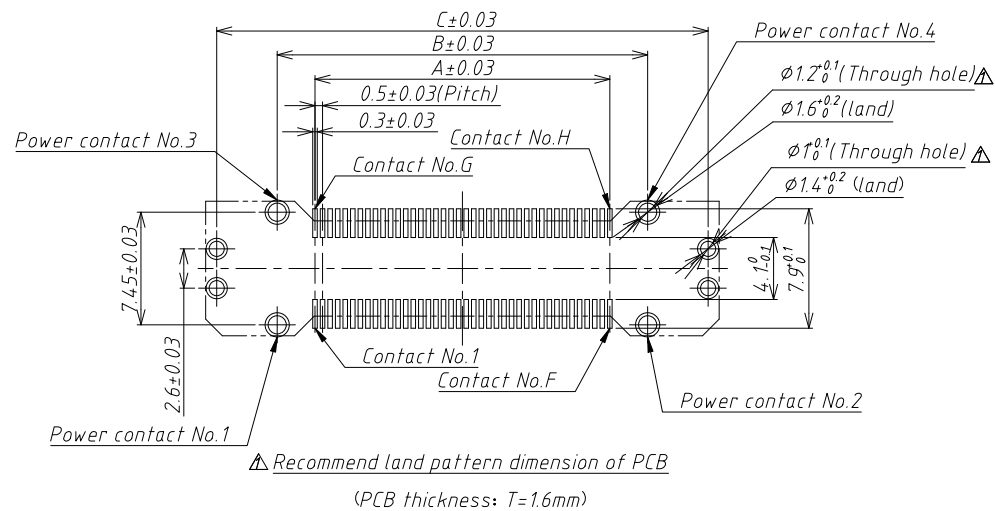
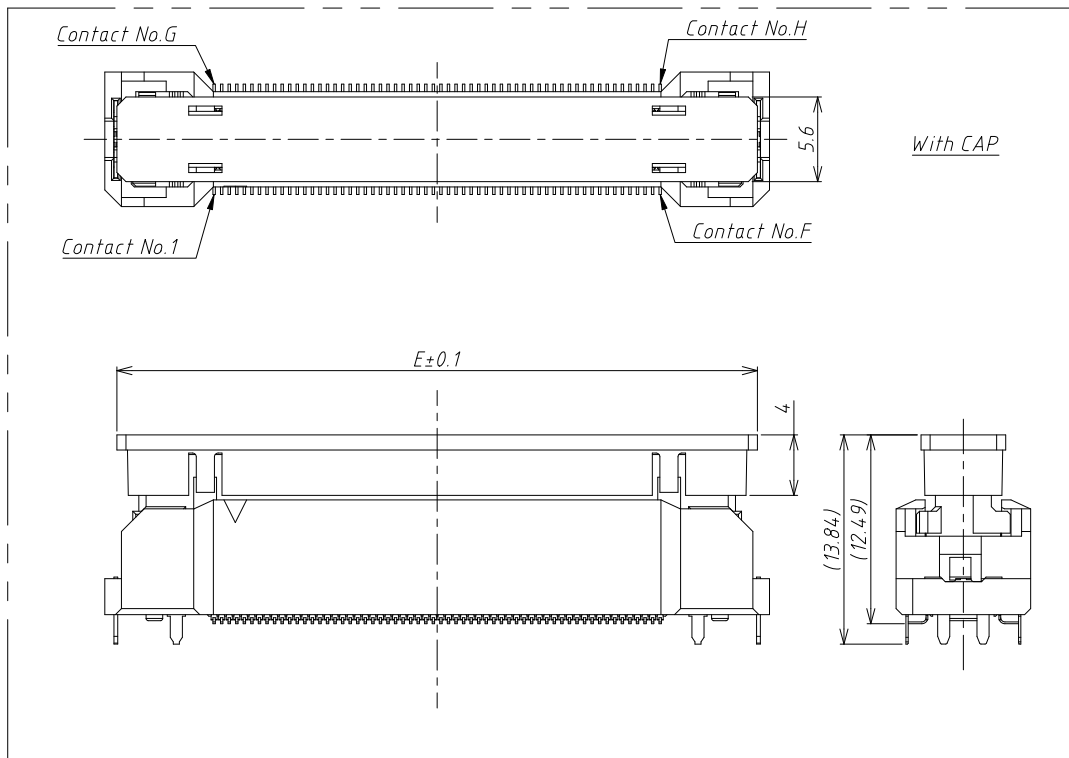


SER	REVISIONS	CHK	DATE
4			
5			

UNITS	MM
±0.20	
±0.10	
±0°'30"	

客户图 Drawings		北极大电子科技有限公司 BEIJIDA ELECTRONICS TECHNOLOGY CO. LIMITED		
APPROVED	DATE	COMPUTER NO		
TS CHEN	2021-09-28	123037-60XX50		
CHECKED	DATE	NAME		
QF.DONG	2021-09-28	BTB0.5-5G PLUG(THR Type) Page 1/2		
DRAWN	DATE	SIZE	SCALE	REV
Yasuhiro Ono	2021-09-28	A4	2:1	E

0 1 2 3 4 5 6 7 8 9



6	Hook	2	Copper alloy	Under: Ni 50 ~ 100u", Tail: Tin 80 ~ 150u"
5	Power contact	4	Copper alloy	Under: Ni 60 ~ 200u", Contact: Au 4u" Min, Tail: Tin 80 ~ 150u"
4	Signal contact	Pin number	Copper alloy	Under: Ni 60 ~ 200u", Contact: Au 4u" Min, Tail: Au 2u" Min
3	CAP	1	LCP, UL94V-0, Black	N/A
2	Guide	1	Polyamide, UL94V-0, Black	N/A
1	Insulator	1	Polyamide, UL94V-0, Black	N/A
NO.	Part name	Quantity	Material	Plating

SER	REVISIONS	CHK	DATE						

UNLESS OTHERWISE SPECIFIED TOLERANCES ARE

X.				
X.X	±0.20			
X.XX	±0.10			
X.XXX				
ANG.	±0°30'			

客户图
Drawings

北极大电子科技有限公司
BEIJIDA ELECTRONICS TECHNOLOGY CO. LIMITED

APPROVED	DATE	COMPUTER NO		
TS CHEN	2021-09-28	123037-60XX50		
CHECKED	DATE	NAME		
QF.DONG	2021-09-28	BTB0.5-5G PLUG(THR Type)		
DRAWN	DATE	SIZE	SCALE	REV
Yasuhiro Ono	2021-09-28	A4	2:1	E

Page 2/2