

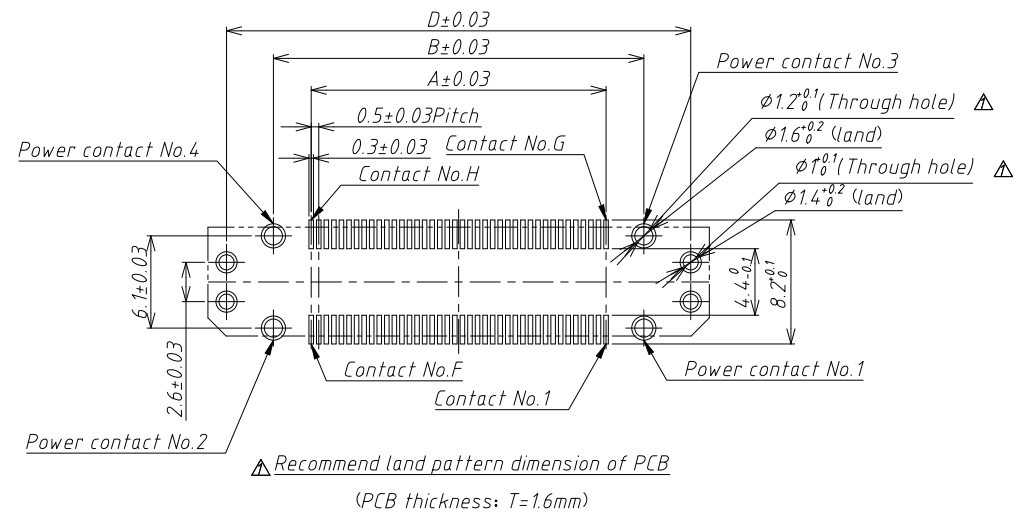
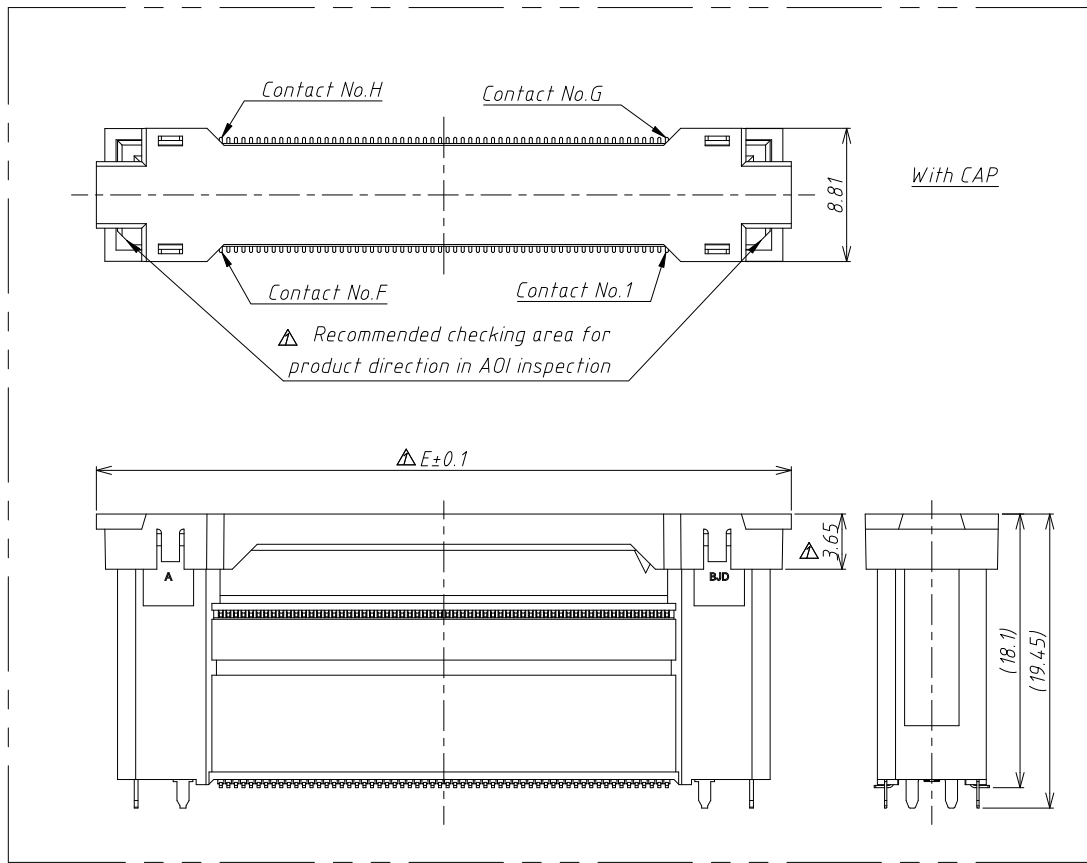
PART NUMBER	NO. OF CONTACTS	A	B	C	D	E
123038-602050-HF	20	4.50	9.50	18.16	15.70	20.96
123038-603050-HF	30	7.00	12.00	20.66	18.20	23.46
123038-604050-HF	40	9.50	14.50	23.16	20.70	25.96
123038-605050-HF	50	12.00	17.00	25.66	23.20	28.46
123038-606050-HF	60	14.50	19.50	28.16	25.70	30.96
123038-608050-HF	80	19.50	24.50	33.16	30.70	35.96
123038-600050-HF	100	24.50	29.50	38.16	35.70	40.96
123038-600250-HF	120	29.50	34.50	43.16	40.70	45.96

NOTES:
 1. "▲" means Key dimentions, "△" means Important dimensions.
 2. PART NO. Specifications : 123038-60XX50-HF
 XX: Code of signal contact quantity

SER	REVISIONS	CHK	DATE
4			
5			

UNLESS OTHERWISE SPECIFIED TOLERANCES ARE
 X. ±0.20
 X.X ±0.10
 X.XXX ±0.05
 ANG. ±0°30'

客户图 Drawings		北极大电子科技有限公司 BEIJIDA ELECTRONICS TECHNOLOGY CO. LIMITED	
APPROVED TS CHEN	DATE 2023-10-30	COMPUTER NO 123038-60XX50-HF	
CHECKED QF.DONG	DATE 2023-10-30	NAME BTB0.5-5C REC(THR Type) Page 1/2	
DRAWN Jian Gu	DATE 2023-10-30	SIZE A4	SCALE 2:1
			REV F



5	Hook	2	Copper alloy	Under: Ni 50~100u", Tail: Tin 80~150u"
4	Power contact	4	Copper alloy	Under: Ni 60~200u", Contact: Au 4u" Min, Tail: Tin 80~150u"
3	Signal contact	Pin number	Copper alloy	Under: Ni 60~200u", Contact: Au 4u" Min, Tail: Au 2u"Min
2	CAP	1	LCP, UL94V-0, Black	N/A
1	Insulator	1	LCP, UL94V-0, Black	N/A
NO.	Part name	Quantity	Material	Plating

				UNLESS OTHERWISE SPECIFIED TOLERANCES ARE		客户图 Drawings		北极大电子科技有限公司 BEIJIDA ELECTRONICS TECHNOLOGY CO. LIMITED		
				X.		APPROVED	DATE	COMPUTER NO		
				X.X	±0.20	TS CHEN	2023-10-30	123038-60XX50-HF		
				X.XX	±0.10	CHECKED	DATE	NAME		
				X.XXX		QF.DONG	2023-10-30	BTB0.5-5C REC(THR Type) Page 2/2		
				ANG.	±0°30'	DRAWN	DATE	SIZE	SCALE	REV
SER	REVISIONS	CHK	DATE	UNIT	MM	Jian Gu	2023-10-30	A4	2:1	F