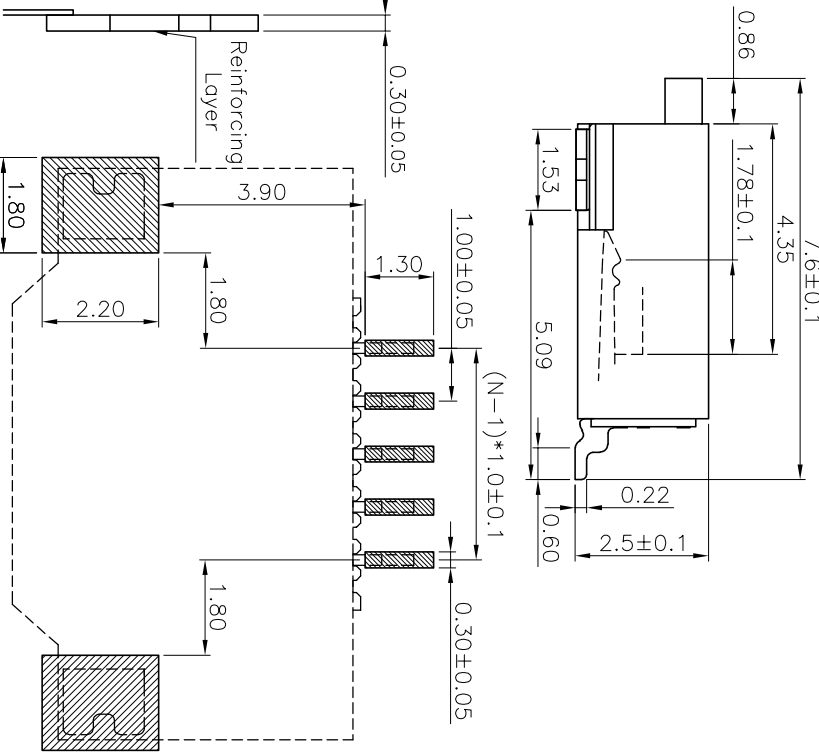
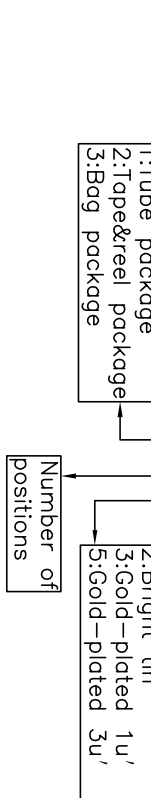
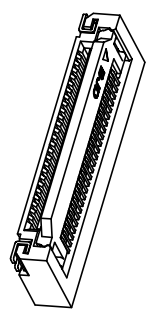


- NOTES:
- 1.MATERIAL:
HOUSING:LCP(UL94V-0)
ACTUATOR:PA-9T(UL94V-0)
TERMINAL:PHOSPHOR BRONZE MATTE TIN PLATED
FITTING NAIL:BRASS MATTE TIN PLATED
 - 2." "IMPORTANT DIMENSION
 - 3.PART NO. SPECIFICATION:101077-20XX50



NO. OF PIN	DIMENSION			
	A	B	C	D
4	3.00	9.80	7.33	5.05
5	4.00	10.80	8.33	6.05
6	5.00	11.80	9.33	7.05
7	6.00	12.80	10.33	8.05
8	7.00	13.80	11.33	9.05
9	8.00	14.80	12.33	10.05
10	9.00	15.80	13.33	11.05
11	10.00	16.80	14.33	12.05
12	11.00	17.80	15.33	13.05
13	12.00	18.80	16.33	14.05
14	13.00	19.80	17.33	15.05
15	14.00	20.80	18.33	16.05
16	15.00	21.80	19.33	17.05
17	16.00	22.80	20.33	18.05
18	17.00	23.80	21.33	19.05
19	18.00	24.80	22.33	20.05
20	19.00	25.80	23.33	21.05
21	20.00	26.80	24.33	22.05
22	21.00	27.80	25.33	23.05
23	22.00	28.80	26.33	24.05
24	23.00	29.80	27.33	25.05
25	24.00	30.80	28.33	26.05
26	25.00	31.80	29.33	27.05
27	26.00	32.80	30.33	28.05
28	27.00	33.80	31.33	29.05
29	28.00	34.80	32.33	30.05
30	29.00	35.80	33.33	31.05



TYPE I RECOMMENDED FFC/FPC DIMENSION

TYPE II

SER	REVISIONS	CHK	DATE

UNLESS OTHERWISE SPECIFIED TOLERANCES ARE:
X.XX ±0.20
X.XXX ±0.10
X.XXX ANG. ±0.30'

客户图 捷康电子科技有限公司
JUSTOWN ELECTRONICS TECHNOLOGY CO. LIMITED

CHECKED: chentianshu DATE: 2018-03-16
DRAWN: chen DATE: 2018-03-16

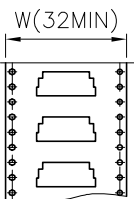
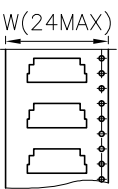
APPROVED: _____ DATE: _____
COMPUTER NO: 101077-20XX50

NAME: FPC1.0-9 Connector
SIZE: A4
SCALE: 7:1
REV: A

Pin NO	A0	A1	B0	B1	K0	F	W	quantity per reel
4			10.10	6.10		10.25	24	2000PCS/ volume
5			11.10	7.10		10.25	24	
6			12.10	8.10		10.25	24	
7			13.10	9.10		10.25	24	
8			14.10	10.10		14.25	32	
9			15.10	11.10		14.25	32	
10			16.10	12.10		14.25	32	
11			17.10	13.10		14.25	32	
12			18.10	14.10		20.25	44	
13			19.10	15.10		20.25	44	
14			20.10	16.10		20.25	44	
15			21.10	17.10		20.25	44	
16			22.10	18.10		20.25	44	
17			23.10	19.10		20.25	44	
18			24.10	20.10		20.25	44	
19	7.80		25.10	21.10	2.70	20.25	44	
20		6.60	26.10	22.10		20.25	44	
21			27.10	23.10		20.25	44	
22			28.10	24.10		20.25	44	
23			29.10	25.10		20.25	44	
24			30.10	26.10		20.25	44	
25			31.10	27.10		26.25	56	
26			32.10	28.10		26.25	56	
27			33.10	29.10		26.25	56	
28			34.10	30.10		26.25	56	
29			35.10	31.10		26.25	56	
30			36.10	32.10		26.25	56	
31			37.10	33.10		26.25	56	
32			38.10	34.10		26.25	56	
33			39.10	35.10		26.25	56	
34			40.10	36.10		26.25	56	

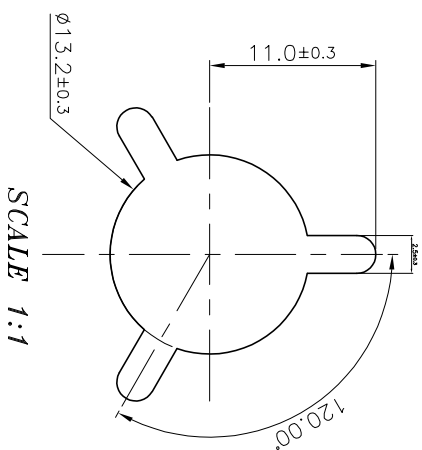
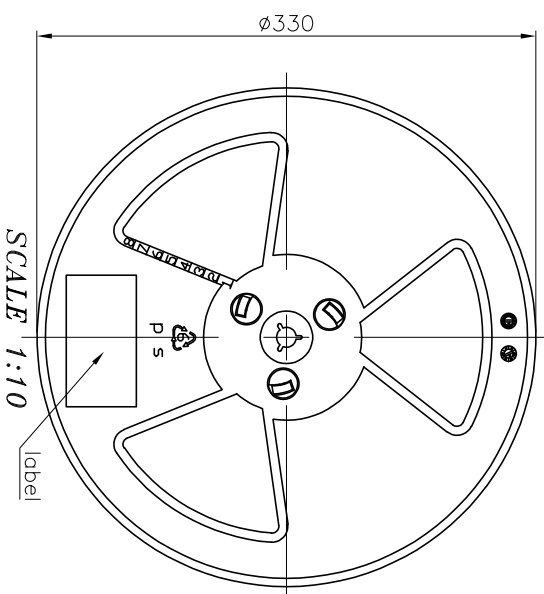
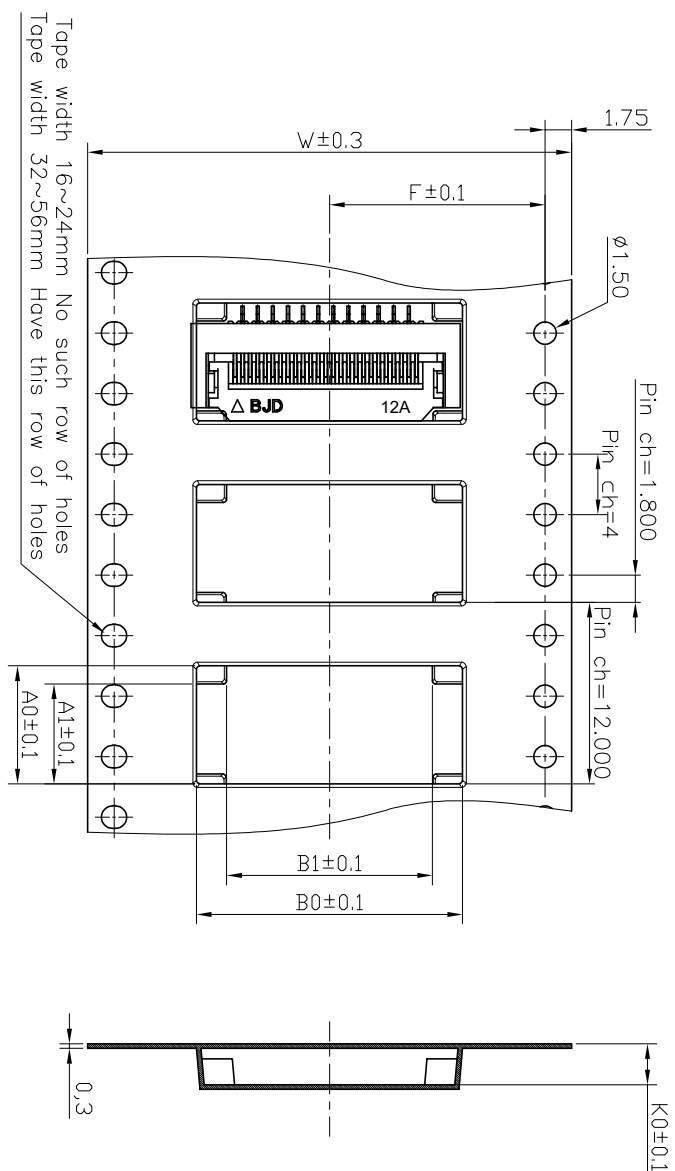
PART NO. SPECIFICATION:101077-20XX50

Number of positions



Tape width:
Maximum of
24mm

Tape width:
Minimum of
32mm



SER		REVISIONS		CHK	DATE	捷康电子科技有限公司 JUSTOWN ELECTRONICS TECHNOLOGY CO. LIMITED 包装图 Packaging Figure APPROVED DATE 2018-03-16 COMPUTER NO 101077-20XX50 陈天舒 2018-03-16 CHECKED DATE 2018-03-16 NAME FPC1.09/H2.5 覆盖式成品卷装图 陈天舒 2018-03-16 DRAWN DATE 2018-03-16 SIZE A4 SCALE 2:1 REV A	
UNLESS OTHERWISE SPECIFIED TOLERANCES ARE		X.XX ±0.20		X.XXX ±0.10		X.XXXX ±0.30	
UNIT		MM		MM		MM	