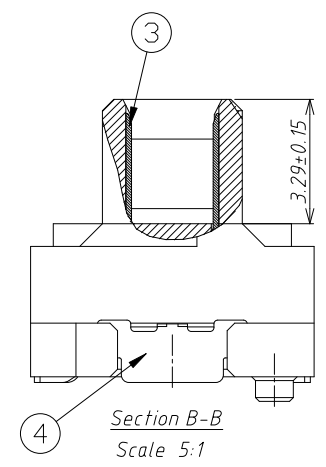
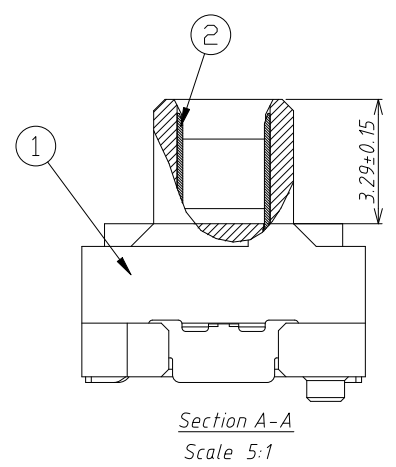
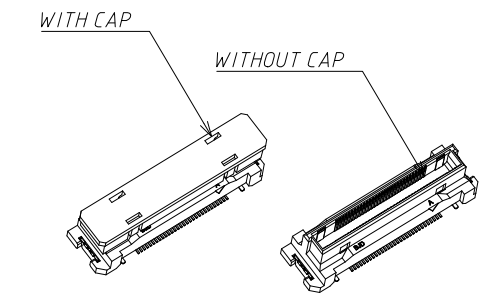
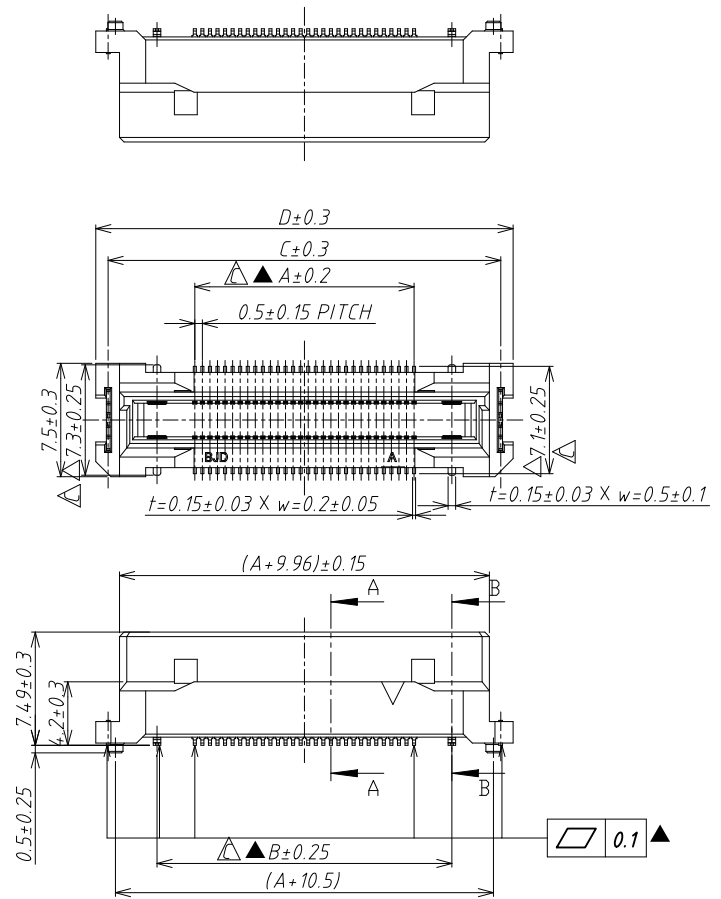


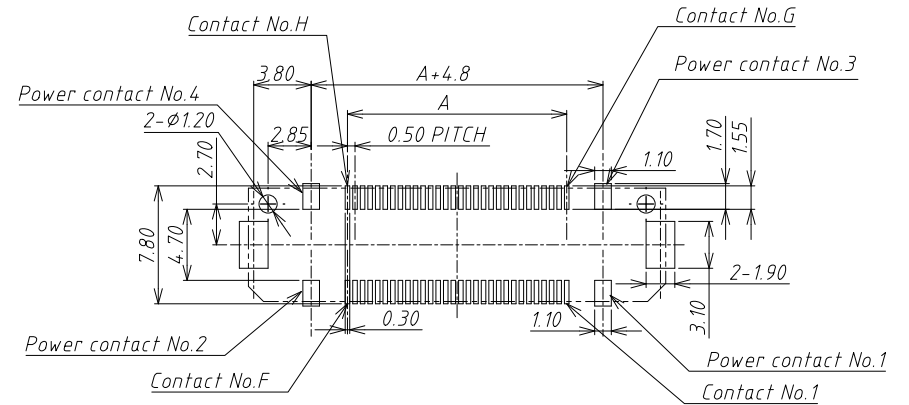
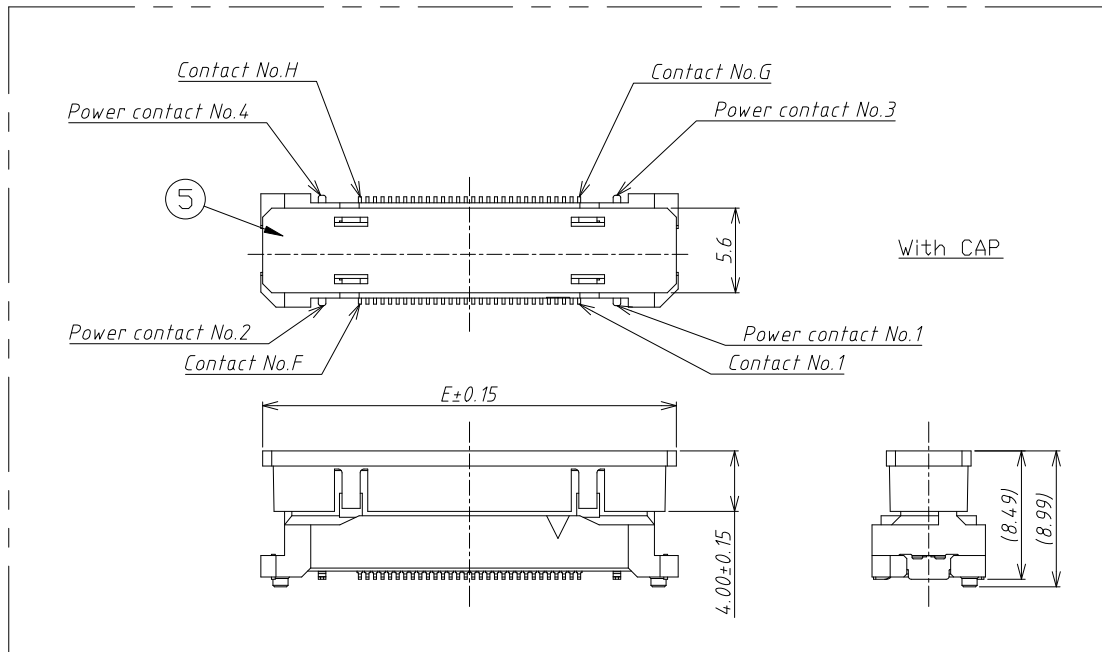
| P/N | CKT | A | B | C | D | E |
|------------------|-----|-------|-------|-------|-------|-------|
| 123049-6020X0-HF | 20 | 4.50 | 9.50 | 15.97 | 17.60 | 17.36 |
| 123049-6030X0-HF | 30 | 7.00 | 12.00 | 18.47 | 20.10 | 19.86 |
| 123049-6040X0-HF | 40 | 9.50 | 14.50 | 20.97 | 22.60 | 22.36 |
| 123049-6050X0-HF | 50 | 12.00 | 17.00 | 23.47 | 25.10 | 24.86 |
| 123049-6060X0-HF | 60 | 14.50 | 19.50 | 25.97 | 27.60 | 27.36 |
| 123049-6080X0-HF | 80 | 19.50 | 24.50 | 30.97 | 32.60 | 32.36 |
| 123049-6000X0-HF | 100 | 24.50 | 29.50 | 35.97 | 37.60 | 37.36 |
| 123049-6002X0-HF | 120 | 29.50 | 34.50 | 40.97 | 42.60 | 42.36 |



| | | | | |
|-----|----------------|------------|---------------------------|--|
| 5 | CAP | 1 | LCP, UL94V-0, Black | N/A |
| 4 | Hook | 2 | Copper alloy | Under: Ni 50~100u'', Tail: Tin 80~150u'' |
| 3 | Power contact | 4 | Copper alloy | See Table-1. |
| 2 | Signal contact | Pin number | Copper alloy | See Table-1. |
| 1 | Insulator | 1 | Polyamide, UL94V-0, Black | N/A |
| No. | Part name | Quantity | Material | Plating |

| UNLESS OTHERWISE SPECIFIED TOLERANCES ARE | | | | 客户图 Drawings | | 北极大电子科技有限公司 BEIJIDA ELECTRONICS TECHNOLOGY CO. LIMITED | | | |
|---|-----------|-----|------|--------------|----------|---|------------------------------------|-------|-----|
| | | | | X. | APPROVED | DATE | COMPUTER NO | | |
| | | | | X.X | TS Chen | 2022-08-01 | 123049-60XXX0-HF | | |
| | | | | X.XX | CHECKED | DATE | NAME | | |
| | | | | X.XXX | QF DONG | 2022-08-01 | BTB0.5-5E PLUG (SMT TYPE) Page 1/2 | | |
| | | | | ANG. | DRAWN | DATE | SIZE | SCALE | REV |
| | | | | | Kuan He | 2022-08-01 | A4 | 2:1 | C |
| SER | REVISIONS | CHK | DATE | UNIT | | | | | |
| | | | | MM | | | | | |

| SER | REVISIONS | CHK | DATE |
|-----|-----------|-----|------|
| | | | |



Recommended land pattern dimension of PCB
(PCB thickness: T=1.0mm, General tol ±0.05)

Table-1

| Plating Code | Power contact | | | Signal contact | | |
|--------------|---------------|--------------|--------------|----------------|--------------|--------------|
| | Under | Contact | Tail | Under | Contact | Tail |
| 5 | Ni 60~200u" | Au 4u" MIN. | Au 2~8u" | Ni 60~200u" | Au 4u" MIN. | Au 2~8u" |
| 6 | Ni 60~200u" | Au 1u" MIN. | Tin 80~150u" | Ni 60~200u" | Au 1u" MIN. | Tin 80~150u" |
| 7 | Ni 60~200u" | Au 30u" MIN. | Au 2~8u" | Ni 60~200u" | Au 30u" MIN. | Au 2~8u" |

NOTES:

1. "▲" means Key dimensions, "△" means Important dimensions.
2. PART NO. Specifications : 123049-60XXX0-HF

Plating code, see Table-1.

Code of signal contact quantity.

| | | | | | | | | | |
|-----|-----------|-----|------|---|--------------|---|------------------------------------|-------|-----|
| | | | | UNLESS OTHERWISE SPECIFIED TOLERANCES ARE | 客户图 Drawings | 北极大电子科技有限公司 BEIJIDA ELECTRONICS TECHNOLOGY CO. LIMITED | | | |
| | | | | X. ±0.20 | APPROVED | DATE | COMPUTER NO | | |
| | | | | X.XX ±0.10 | TS Chen | 2022-08-01 | 123049-60XXX0-HF | | |
| | | | | X.XXX | CHECKED | DATE | NAME | | |
| | | | | ANG. ±0'30' | QF DONG | 2022-08-01 | BTB0.5-5E PLUG (SMT TYPE) Page 2/2 | | |
| | | | | UNIT | DRAWN | DATE | SIZE | SCALE | REV |
| SER | REVISIONS | CHK | DATE | MM | Kuan He | 2022-08-01 | A4 | 2:1 | C |