

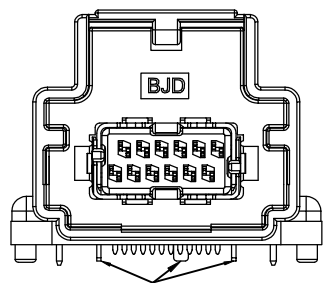
NOTES:

- VOLTAGE RATING: 36V AC/DC
- CURRENT RATING: 1.5A AC/DC(HIGHER CURRENT RATING ACHIEVABLE,CONTACT SALES FOR ADDITIONAL TECHNICAL INFORMATION)
- WITHSTANDING VOLTAGE: 500V AC/MINUTE
- TEMPERATURE RANGE: -40°C ~+105°C
- INSULATION RESISTANCE: $\geq 100M\Omega$
- CONTACT RESISTANCE: $\leq 30m\Omega$
- APPLICABLE BJD HOUSING: 141091-42128X
- MATING CONNECTOR MINIMUM CLEARANCE: AREA TO REMAIN CLEAR OF MODULE COMPONENTS, ADHESIVE, DEBRIS, ETC.

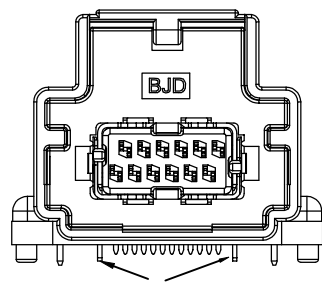
⑧	TERMINALS 2	6	COPPER ALLOY	TERMINAL MATE-SIDE PLATING:SELECTIVE GOLD OVER NICKEL
⑦	TERMINALS 1	6	COPPER ALLOY	TERMINAL PCB SIDE PLATING:TIN OVER NICKEL
⑥	LOCKING PIN	2	COPPER ALLOY	TIN OVER NICKEL
⑤	OVERMOLDING	2	LCP-GF30%	
④	SHIELDS 2	1	COPPER ALLOY	TIN OVER NICKEL
③	BISCUIT	1	SPS-GF30%	
②	SHIELDS 1	1	COPPER ALLOY	TIN OVER NICKEL
①	HEADER HOUSING	1	SPS-GF30%	
ITEM	PART NAME	Q'TY	MATERIAL	FINISH

				UNLESS OTHERWISE SPECIFIED TOLERANCES ARE
				X.
				X.X ±0.30
				X.XX ±0.20
				X.XXX
				ANG. ±2'
X2	ADD NOTE 8	JAY	2023-02-23	
X1	ADD KEY OPTION	JAY	2022-02-08	
X0	INITIAL REVISION	JAY	2021-11-05	
SER	REVISIONS	CHK	DATE	

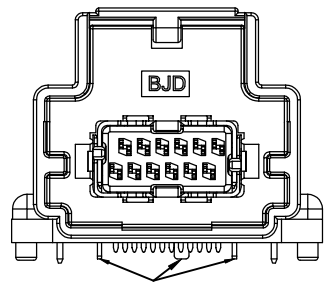
客户图		北极大电子科技有限公司			
Drawings		BEIJIDA ELECTRONICS TECHNOLOGY CO. LIMITED			
APPROVED	DATE	PART NO			
Jay	2021-11-05	14109X-211260			
CHECKED	DATE	NAME			
Jay	2021-11-05	UNSEALED HEADER12CKT R/A			
DRAWN	DATE	SIZE	SCALE	SHEET	REV
Bob	2021-11-05	A4	2:1	1/2	X2



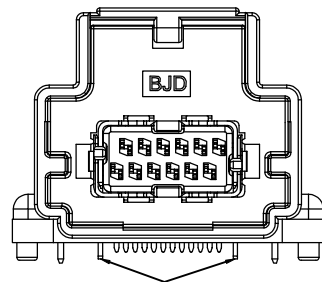
141092-211260
3 SHIELD TABS
KEY OPTION 'A'
COLOR:BLACK



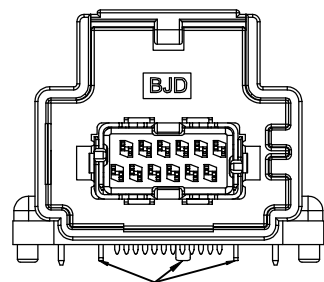
141091-211260
2 SHIELD TABS
KEY OPTION 'A'
COLOR:BLACK



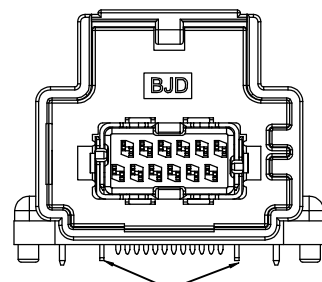
141094-211260
3 SHIELD TABS
KEY OPTION 'B'
COLOR:GRAY



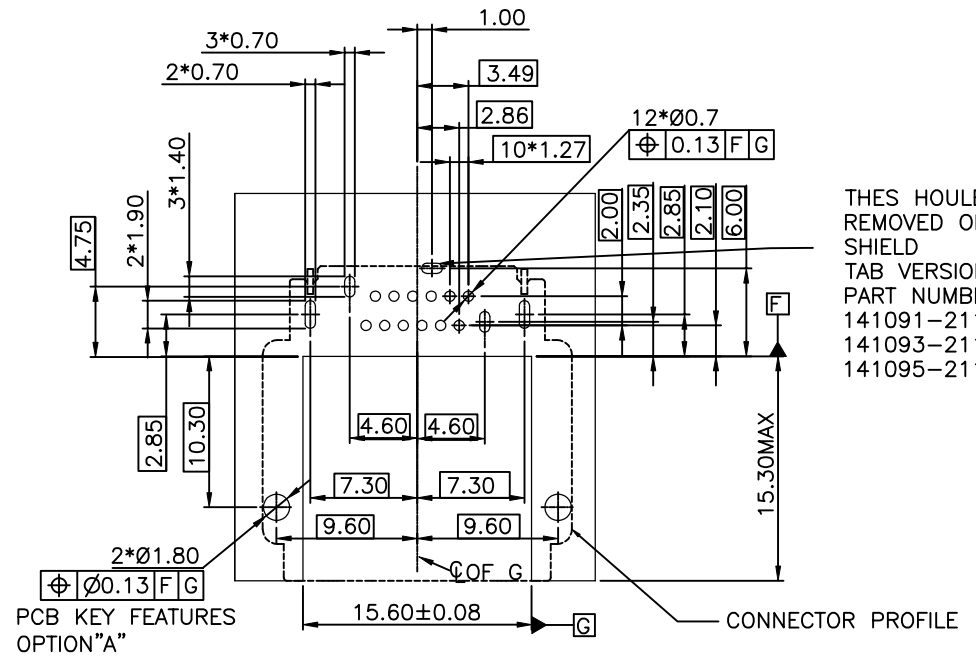
141093-211260
2 SHIELD TABS
KEY OPTION 'B'
COLOR:GRAY



141096-211260
3 SHIELD TABS
KEY OPTION 'C'
COLOR:BROWN

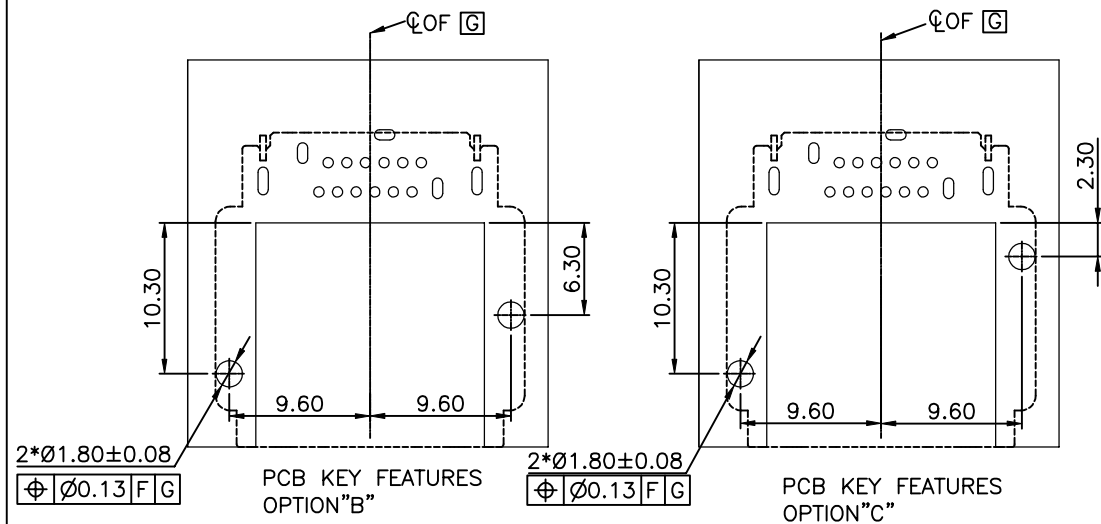


141095-211260
3 SHIELD TABS
KEY OPTION 'C'
COLOR:BROWN

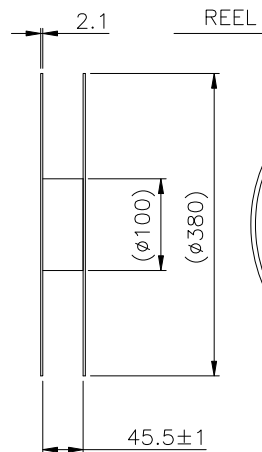


THIS HOULE IS
REMOVED ON 2
SHIELD
TAB VERSION FOR
PART NUMBERS:
141091-211260
141093-211260
141095-211260

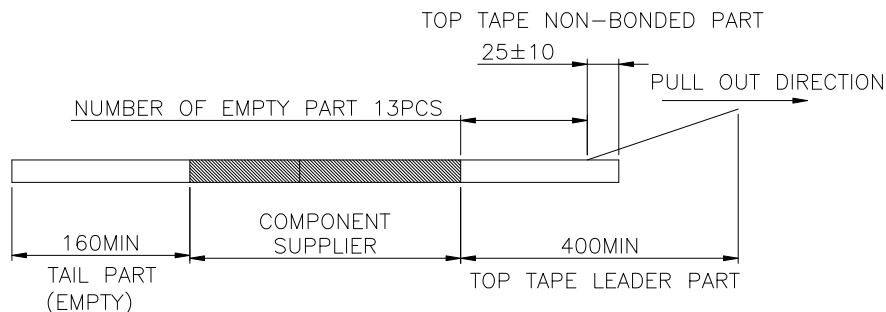
RECOMMENDED PCB LAYOUT-HEADER SIDE PCB
PCB TO BE 1.57mm THICK
TOLERANCE:±0.05



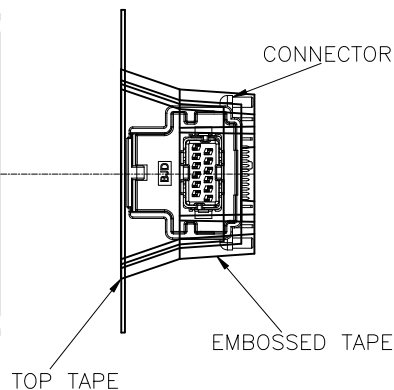
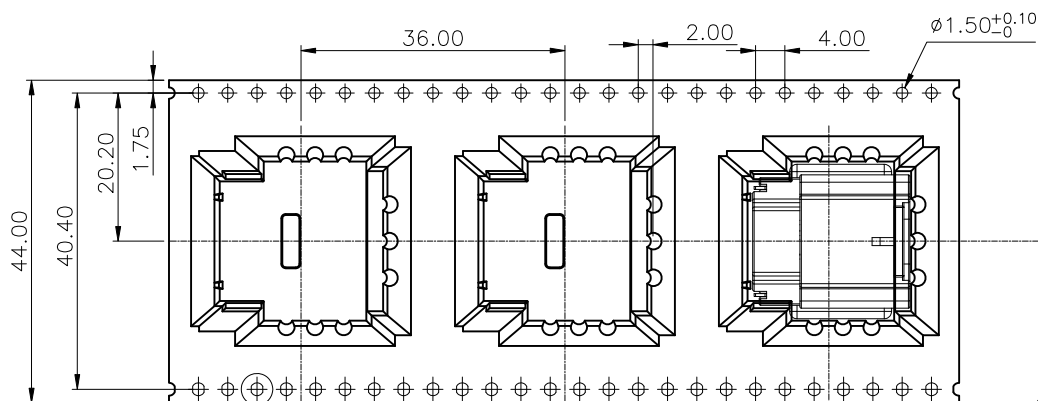
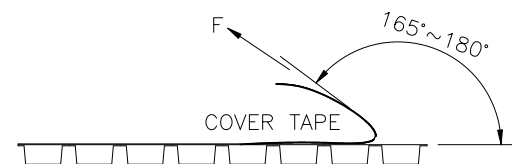
				UNLESS OTHERWISE SPECIFIED TOLERANCES ARE	客户图 Drawings	北极大电子科技有限公司 BEIJIDA ELECTRONICS TECHNOLOGY CO. LIMITED					
				X. ±0.30	APPROVED Jay	DATE 2021-11-05	PART NO 14109X-211260				
				X.XX ±0.20	CHECKED Jay	DATE 2021-11-05	NAME UNSEALED HEADER12CKT R/A				
X1	ADD KEY OPTION	JAY	2021-02-08	X.XXX ±0.20	DRAWN Bob	DATE 2021-11-05	SIZE A4	SCALE 2:1	SHEET 2/2	REV X1	
X0	INITIAL REVISION	JAY	2021-11-05	ANG. ±2'							
SER	REVISIONS	CHK	DATE	UNIT MM							



USER DIRECTION OF UNREELING



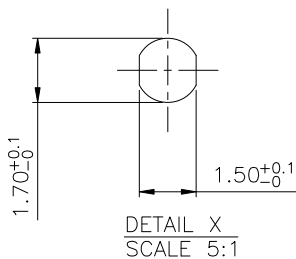
COVER TAPE PEELING FORCE:0.1N-1.3N
PEELING SPEED:300mm±10mm/min



- 1.10 SPTOCKET HOLE PITCH CUMULATIVE TOLERANCE ±0.2MM.
- 2.CARRIER CAMBER NOT TO EXCEED 1MM IN 100MM.
- 3.ALL DIMENSIONS MEET EIA-481-C REOFFFUIREMENTS.
- 4.MATERIAL: PS TRANSPARENT POLYSTYRENE.
- 5.PACKING LENGHT PER 15"REEL:5.508METERS.
- 6.COMPONENT LOAD PER 15"REEL:130PCS.

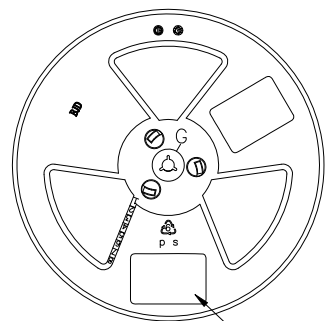
14109X-211260

- NOTES :
- 1-2 SHIELD TABS KEY OPTION A,BLACK
 - 2-3 SHIELD TABS KEY OPTION A,BLACK
 - 3-2 SHIELD TABS KEY OPTION B,GRAY
 - 4-3 SHIELD TABS KEY OPTION B,GRAY
 - 5-2 SHIELD TABS KEY OPTION C,BROWN
 - 6-3 SHIELD TABS KEY OPTION C,BROWN



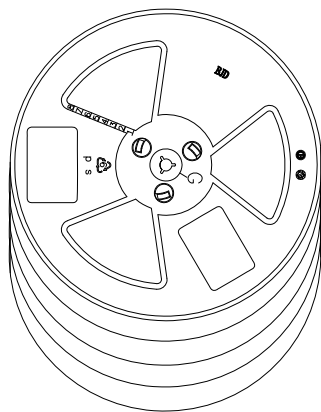
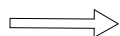
					UNLESS OTHERWISE SPECIFIED TOLERANCES ARE
					X.
					X.X ±0.30
					X.XX ±0.20
					X.XXX
					ANG. ±2'
X1	UPDATE PACKAGING PLACEMENT	Jay	2023-07-29		
X0	INITIAL REVISION	Jay	2022-11-25		
SER	REVISIONS	CHK	DATE	UNIT	

包装图		北极大电子科技有限公司			
Packaging Figure		BEIJIDA ELECTRONICS TECHNOLOGY CO., LIMITED			
APPROVED	DATE	COMPUTER NO			
Jay	2022-11-25	14109X-211260			
CHECKED	DATE	NAME			
Jay	2022-11-25	UNSEALED HEADER12CKT R/A			
DRAWN	DATE	SIZE	SCALE	SHEET	REV
Amy	2022-11-25	A4	4:1	1/2	X1

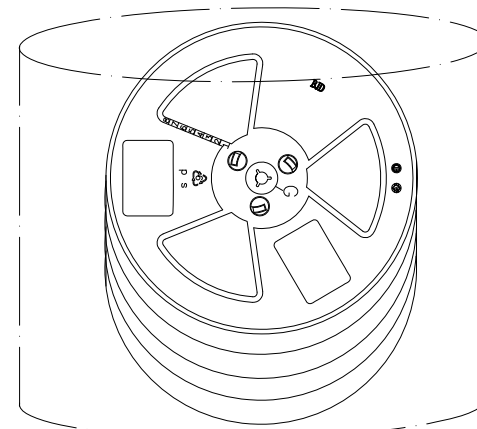
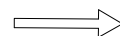


130 PCS/REEL

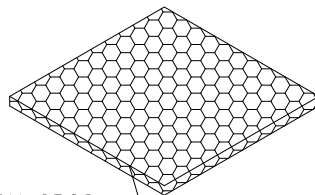
Label



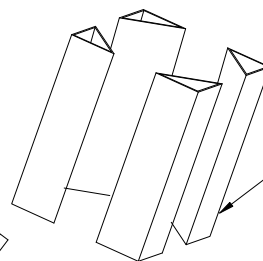
5 REEL/BOX



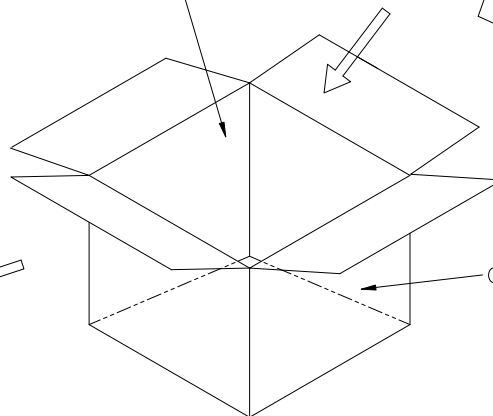
WATERPROOF BAG



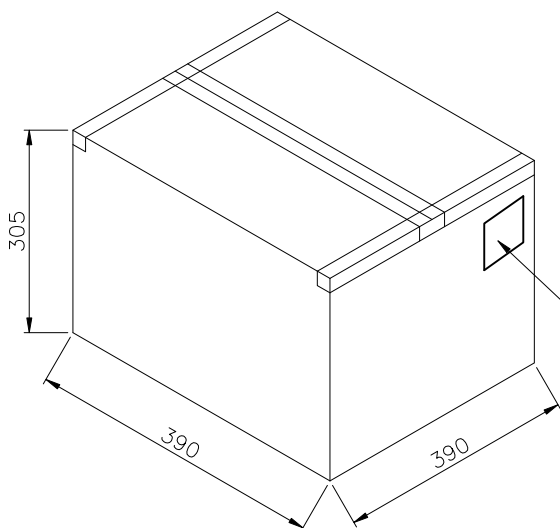
PEARL COTTON 2PCS



PAPER CORNE 4 PCS



OUTER BOX



LABEL

X1	UPDATE PACKAGING PLACEMENT	Jay	2023-07-29		
X0	INITIAL REVISION	Jay	2022-11-25		
SER	REVISIONS	CHK	DATE	UNIT	

UNLESS OTHERWISE SPECIFIED TOLERANCES ARE	
X.	
X.X	±0.30
X.XX	±0.20
X.XXX	
ANG.	±2'

包装图		北极大电子科技有限公司			
Packaging Figure		BEIJIDA ELECTRONICS TECHNOLOGY CO., LIMITED			
APPROVED	DATE	COMPUTER NO			
Jay	2022-11-25	14109X-211260			
CHECKED	DATE	NAME			
Jay	2022-11-25	UNSEALED HEADER12CKT R/A			
DRAWN	DATE	SIZE	SCALE	SHEET	REV
Amy	2022-11-25	A4	4:1	2/2	X1