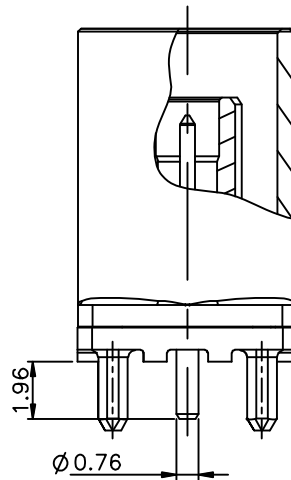
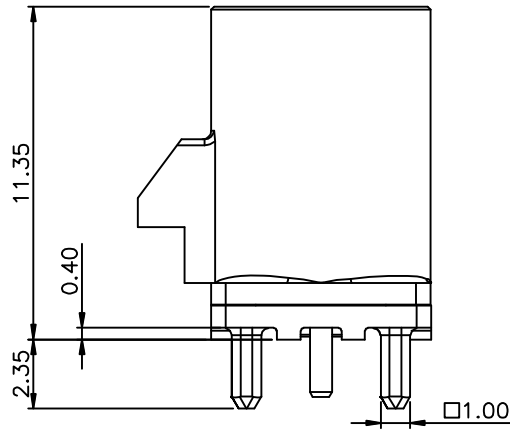


RECOMMENDED PCB LAYOUT(TOLERANCE:±0.05)
TOP VIEW



NOTES:

1. ELECTRICAL PERFORMANCE:

- 1.1 IMPEDANCE: 50Ω;
- 1.2 CONTACT RESISTANCE: (CENTER PIN)15mΩ Max,
(OUTER CONTACT)5mΩ Max;
- 1.3 FREQUENCY: DC TO 6GHZ;
- 1.4 RETURN LOSS:
 - ≥26 dB (DC to 1 GHz)
 - ≥23 dB (DC 1 to 2.4 GHz)
 - ≥20 dB (DC 2.4 to 4 GHz)
 - ≥15 dB (DC 4 to 6 GHz);

1.5 INSERTION LOSS: $\leq 0.1X \sqrt{f(\text{GHz})}$ dB;

1.6 INSULATION RESISTANCE $\geq 1000M\Omega$;

1.7 TEST VOLTAGE: 800V AC rms;

1.9 WORKING VOLTAGE: $\leq 60V$ DC;

1.9 CURRENT: $\leq 1A$ DC.

2. MECHANICAL PERFORMANCE:

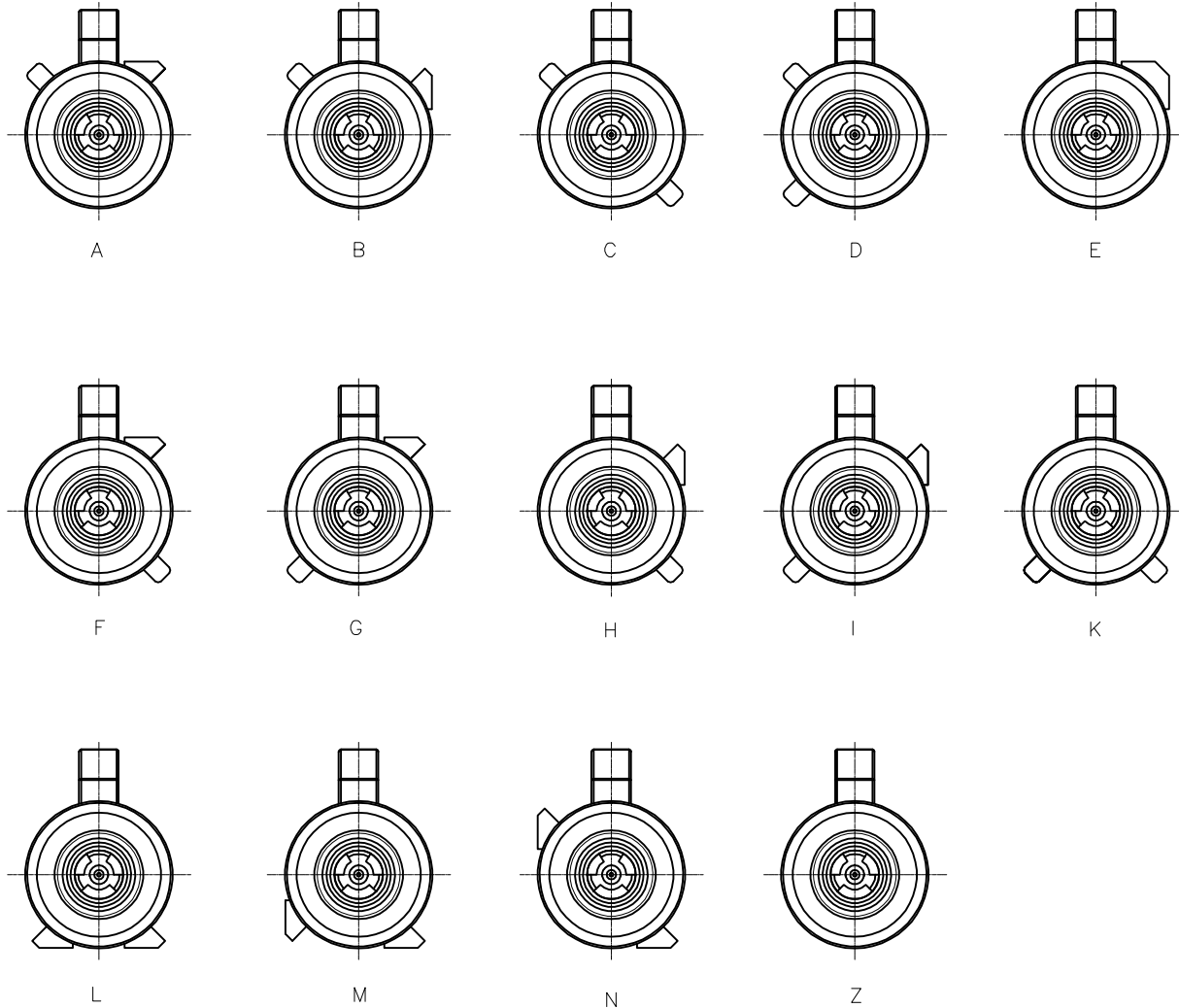
- 2.1 DURABILITY: ≥ 25 TIMES;
- 2.2 ENGAGE FORCE: $\leq 25N$;
- 2.3 DISENGAGE FORCE: WITH LOCK $\geq 110N$, WITHOUT LOCK $\leq 25N$;
- 3. TEMPERATURE RANGE: $-40^{\circ}C - +105^{\circ}C$.

4	INSULATOR	1	SPS	
3	CENTER PIN	1	BRASS	Au plated over Nickel
2	OUTER CONTACT	1	ZINC ALLOY	Matte tin plated over Nickel
1	HOUSING	1	PA46+30%GF	
ITEM	PART NAME	Q'TY	MATERIAL	FINISH

				UNLESS OTHERWISE SPECIFIED TOLERANCES ARE		客户图 Drawings		北极大电子科技有限公司 BEIJIDA ELECTRONICS TECHNOLOGY CO. LIMITED			
				X. ±0.30		APPROVED Jay		DATE 2019-12-03		COMPUTER NO 140036-2XXX50	
				X.XX ±0.20		CHECKED Jay		DATE 2019-12-03		NAME FAKRA VERTICAL PLUG	
				X.XXX		DRAWN Austin		DATE 2019-12-03		SIZE A4	
				ANG. ±2'		SER		REVISIONS		SCALE 4:1	
				XO INITIAL REVISION		UNIT		SHEET		REV	
				Jay 2019-12-03		MM		1/1		XO	
				CHK DATE		Φ					

0 1 2 3 4 5 6 7 8 9

A
B
C
D
E
F
G
H
I
J



Z	WATER BLUE(水蓝色5021)	140036-200150
N	PASTEL GREEN(淡绿色6019)	140036-211350
M	PASTEL ORANGE(粉橙色2003)	140036-211250
L	CARMINE RED(胭脂红3002)	140036-211150
K	CURRY(咖喱色1027)	140036-211050
I	BEIGE(米黄色1001)	140036-210950
H	HEATHER VIOLET(紫罗兰4003)	140036-210850
G	BLUE GRAY(灰色7031)	140036-210750
F	NUT BROWN(棕色8011)	140036-210650
E	LEAF GREEN(绿色6002)	140036-210550
D	CLARET VIOLET(枣红色4004)	140036-210450
C	SIGNAL BLUE(蓝色5005)	140036-210350
B	CREAM WHITE(白色9001)	140036-210250
A	DEEP BLACK(黑色9005)	140036-210150
CODE	COLOR	PART NO.

				UNLESS OTHERWISE SPECIFIED TOLERANCES ARE		客户图		北极大电子科技有限公司					
						Drawings		BEIJIDA ELECTRONICS TECHNOLOGY CO. LIMITED					
				X. ±0.30		APPROVED		DATE		COMPUTER NO			
				X.XX ±0.20		Jay		2019-12-03		140036-2XXX50			
				X.XXX		CHECKED		DATE		NAME			
				ANG. ±2'		Jay		2019-12-03		FAKRA VERTICAL PLUG			
XO	INITIAL REVISION	Jay	2019-12-03	UNIT	MM	DRAWN		DATE		SIZE	SCALE	SHEET	REV
SER	REVISIONS	CHK	DATE			Austin	2019-12-03		A4	4:1	2/2	X0	

0 1 2 3 4 5 6 7 8 9