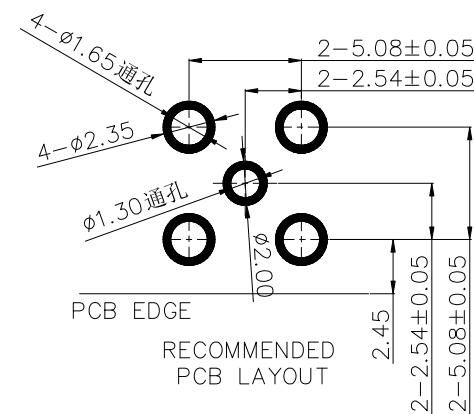
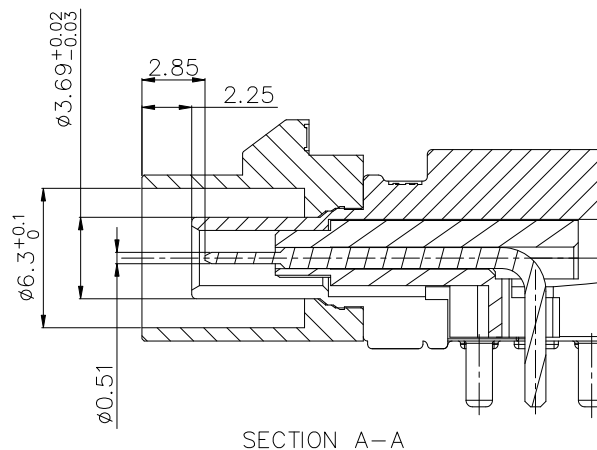
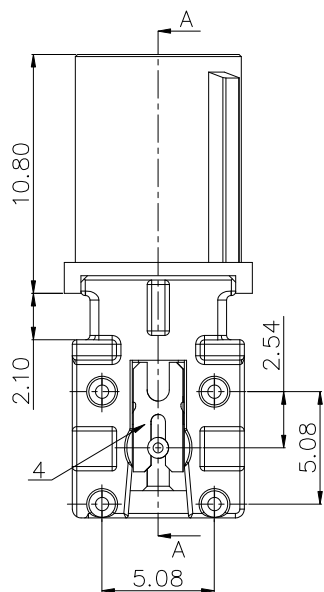
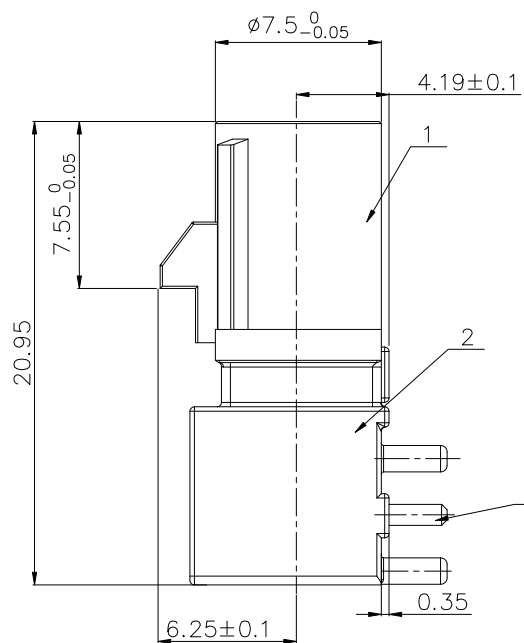
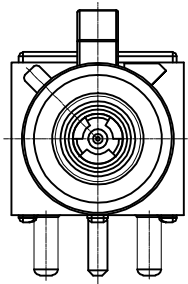


- NOTES:
- ELECTRICAL PERFORMANCE:
 - IMPEDANCE: 50Ω;
 - CONTACT RESISTANCE: (CENTER PIN)15mΩ Max, (OUTER CONTACT)5mΩ Max;
 - FREQUENCY: DC TO 6GHZ;
 - RETURN LOSS: ≥26 dB (DC to 1 GHz)
≥23 dB (DC 1 to 2.4 GHz)
≥20 dB (DC 2.4 to 4 GHz)
≥15 dB (DC 4 to 6 GHz);
 - INSERTION LOSS: ≤0.15X √f(GHz) dB;
 - INSULATION RESISTANCE ≥1000MΩ;
 - TEST VOLTAGE: 800V AC RMS;
 - WORKING VOLTAGE: ≤60V DC;
 - CURRENT: ≤1A DC.
 - MECHANICAL PERFORMANCE:
 - DURABILITY: ≥25 TIMES;
 - ENGAGE FORCE: ≤25N;
 - DISENGAGE FORCE: WITH LOCK ≥110N, WITHOUT LOCK ≤25N;
 - TEMPERATURE RANGE: -40°C- +105°C.

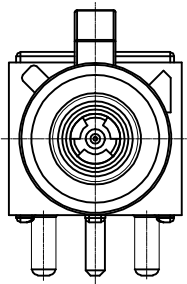


4	INSULATOR	1	HTN	
3	CENTER PIN	1	COPPER ALLOY	Au plated over Nickel
2	OUTER CONTACT	1	ZINC ALLOY	Matte tin plated over Nickel
1	HOUSING	1	PA46	
ITEM	PART NAME	Q'TY	MATERIAL	FINISH

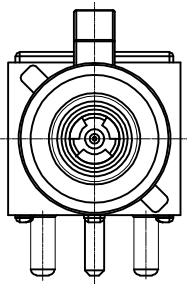
				UNLESS OTHERWISE SPECIFIED TOLERANCES ARE		客户图 Drawings		北极大电子科技有限公司 BEIJIDA ELECTRONICS TECHNOLOGY CO. LIMITED			
				X. ±0.20		APPROVED		DATE		COMPUTER NO	
				X.XX ±0.10		Zouhong		2019-07-03		140022-4XX150	
				X.XXX		CHECKED		DATE		NAME	
				ANG. ±0°30'		Zhang		2019-07-03		FAKRA-90度板上型	
X0		初版		2019-07-03		DRAWN		DATE		SIZE	
SER		REVISIONS		CHK		Zhang		2019-07-03		SCALE	
										REV	
										X0	



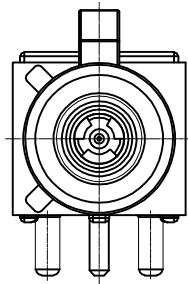
A



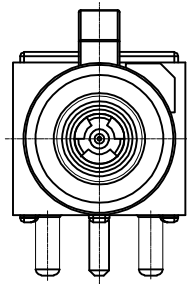
B



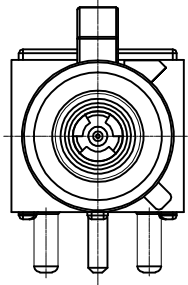
C



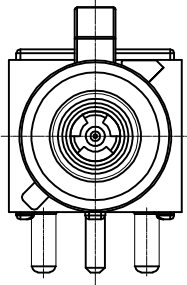
D



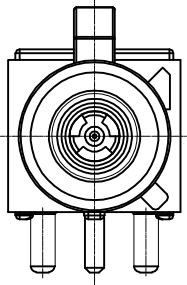
E



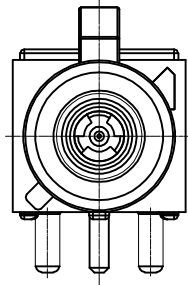
F



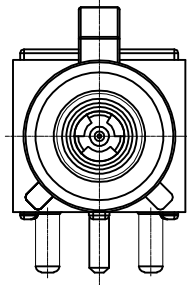
G



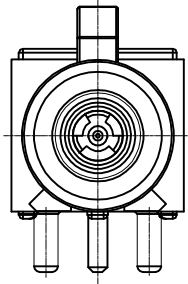
H



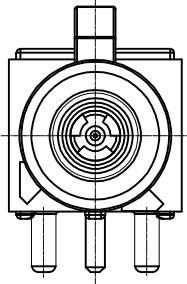
I



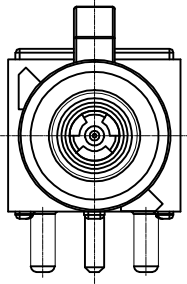
K



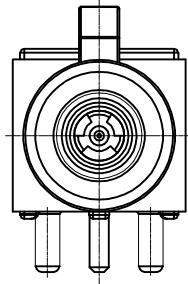
L



M



N



Z

Z	WATER BLUE(水蓝色5021)	140022-401450
N	PASTEL GREEN(淡绿色6019)	140022-401350
M	PASTEL ORANGE(粉橙色2003)	140022-401250
L	CARMINE RED(胭脂红3002)	140022-401150
K	CURRY(咖喱色1027)	140022-401050
I	BEIGE(米黄色1001)	140022-400950
H	HEATHER VIOLET(紫罗兰4003)	140022-400850
G	BLUE GRAY(灰色7031)	140022-400750
F	NUT BROWN(棕色8011)	140022-400650
E	LEAF GREEN(绿色6002)	140022-400550
D	CLARET VIOLET(枣红色4004)	140022-400450
C	SIGNAL BLUE(蓝色5005)	140022-400350
B	CREAM WHITE(白色9001)	140022-400250
A	DEEP BLACK(黑色9005)	140022-400150
CODE	COLOR	PART NO.

X0	INITIAL REVISION	Jay	2019-07-03	UNIT
SER	REVISIONS	CHK	DATE	MM

UNLESS OTHERWISE SPECIFIED TOLERANCES ARE	
X.	
X.X	±0.30
X.XX	±0.20
X.XXX	
ANG.	±2°

客户图 Drawings		北极大电子科技有限公司 BEIJIDA ELECTRONICS TECHNOLOGY CO. LIMITED			
APPROVED	DATE	COMPUTER NO			
Jay	2019-07-03	140022-40XX50			
CHECKED	DATE	NAME			
Jay	2019-07-03	FAKRA R/A PLUG			
DRAWN	DATE	SIZE	SCALE	SHEET	REV
Austin	2019-07-03	A4	4:1	2/2	X0