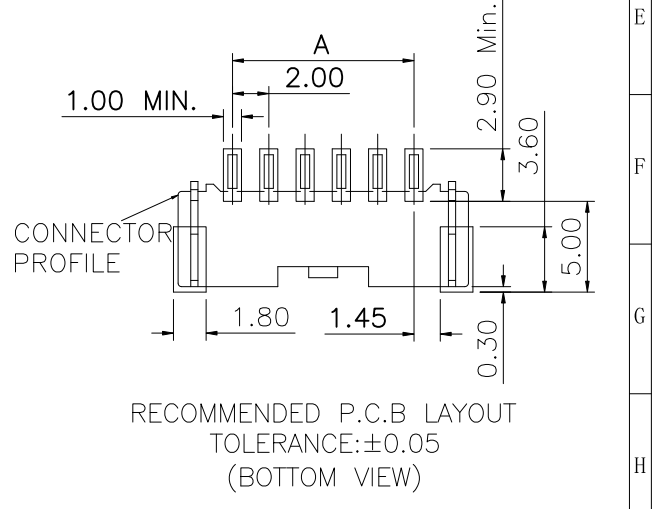
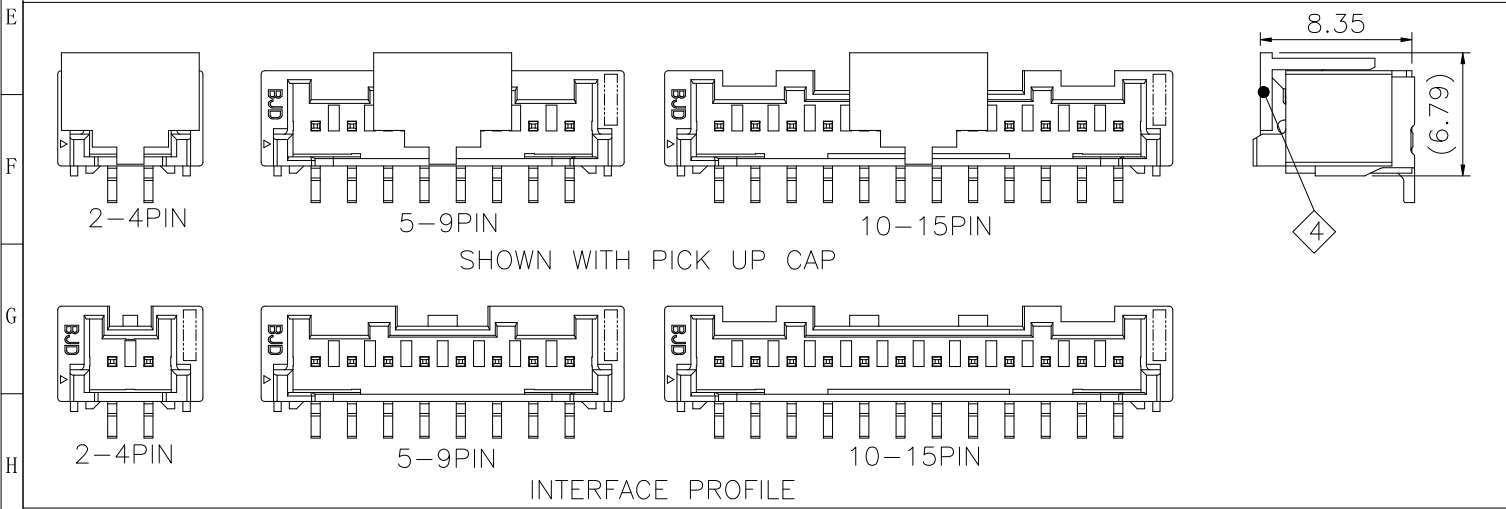


NOTES:
 VOLTAGE RATING: 250V AC/DC MAX.
 CURRENT RATING: 3A AC/DC(HIGHER CURRENT RATING ACHIEVABLE,CONTACT SALES FOR ADDITIONAL TECHNICAL INFORMATION)
 WITHSTANDING VOLTAGE: 800V AC/MINUTE
 TEMPERATURE RANGE: -40°C ~+125°C
 INSULATION RESISTANCE: ≥1000MΩ
 CONTACT RESISTANCE: ≤10mΩ
 AFTER ENVIRONMENTAL TESTING: ≤20mΩ

APPLICABLE BJD HOUSING: 241011-07XX01
 P/N SYSTEM:
 141011-22 XX 10

PIN NO.
 02-02PIN
 03-03PIN

(16.10)RETAINER INCLUDED
 MATED DIMENSION

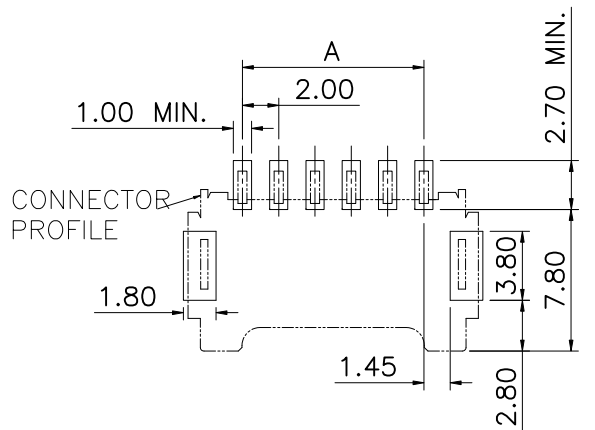
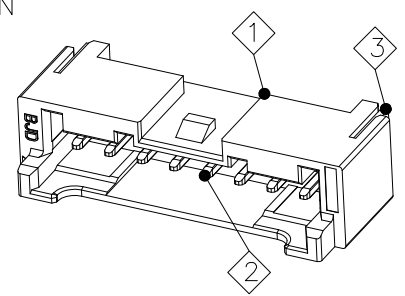
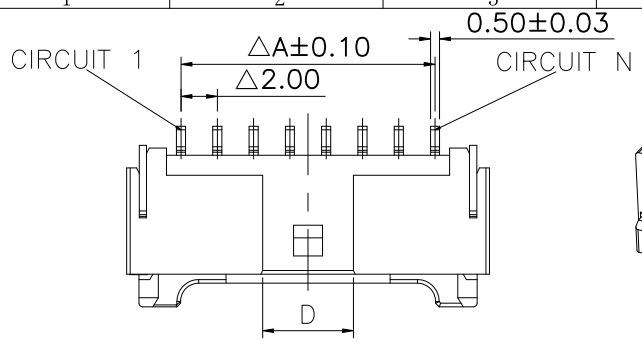


PIN NO.	02	03	04	05	06	07	08	09	10	11	12	13	14	15
A	2.00	4.00	6.00	8.00	10.00	12.00	14.00	16.00	18.00	20.00	22.00	24.00	26.00	28.00
B	8.00	10.00	12.00	14.00	16.00	18.00	20.00	22.00	24.00	26.00	28.00	30.00	32.00	34.00
C	4.50	6.50	8.50	10.50	12.50	14.50	16.50	18.50	20.50	22.50	24.50	26.50	28.50	30.50

4	PICK UP CAP	1	HIGH TEMPERATURE THERMOPLASTIC	UL94V-0
3	SOLDERING PIN	2	COPPER ALLOY	MATTE TIN PLATED OVER NICKEL
2	CONTACT PIN	N	COPPER ALLOY	MATTE TIN PLATED OVER NICKEL
1	HOUSING	1	PA9T,COLOR:NATURAL	UL94V-0
ITEM	PART NAME	Q'TY	MATERIAL	REMARK
0				
1				
2				
3				

				UNLESS OTHERWISE SPECIFIED TOLERANCES ARE	
X3	ADD NEW OPTION	JAY	2023-06-14	X.X	±0.30
X2	ADD MATERIAL FLAMMABILITY INFORMATION	JAY	2022-10-27	X.XX	±0.25
X1	ADD DETAIL C	JAY	2021-06-24	X.XXX	±0.10
X0	INITIAL REVISION	JAY	2021-03-24	ANG.	±2'
SER	REVISIONS	CHK	DATE	UNIT	MM

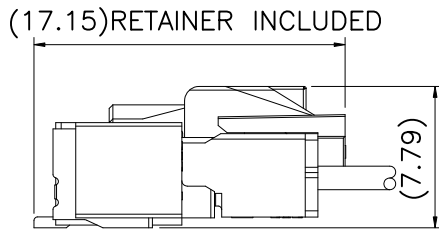
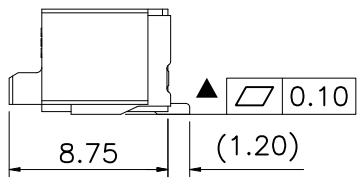
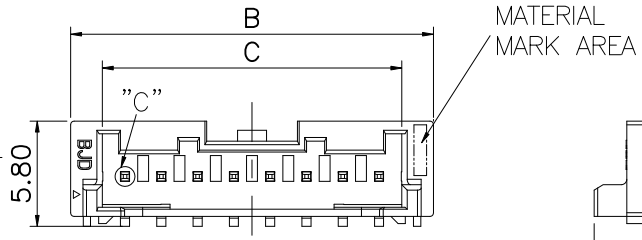
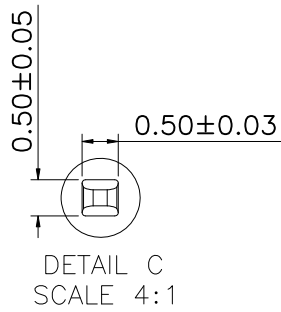
客户图		北极大电子科技有限公司			
Drawings		BEIJIDA ELECTRONICS TECHNOLOGY CO. LIMITED			
APPROVED	JAY	DATE	2021-03-24	PART NO	141011-22XX10
CHECKED	JAY	DATE	2021-03-24	NAME	2.00MM VTL SMT WAFER
DRAWN	AUSTIN	DATE	2021-03-24	SIZE	A4
				SCALE	2.5:1
				SHEET	1/1
				REV	X3



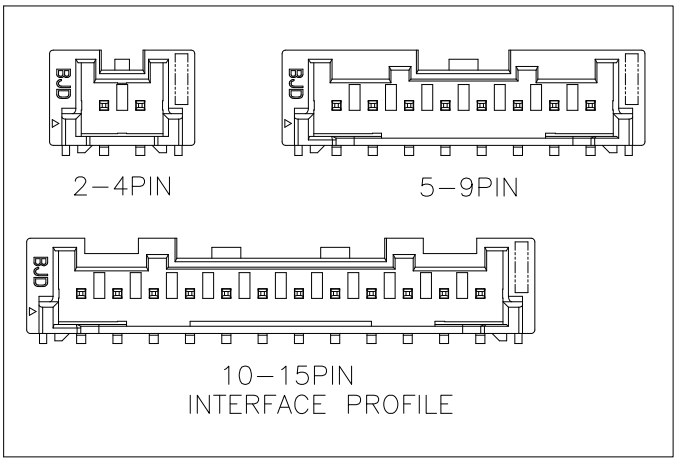
RECOMMENDED P.C.B
LAYOUT
TOLERANCE:±0.05
(BOTTOM VIEW)

NOTES:
VOLTAGE RATING: 250V AC/DC MAX.
CURRENT RATING: 3A AC/DC(HIGHER
CURRENT RATING ACHIEVABLE,CONTACT
SALES FOR ADDITIONAL TECHNICAL
INFORMATION)
WITHSTANDING VOLTAGE: 800V AC/MINUTE
TEMPERATURE RANGE: -40°C ~+125°C
INSULATION RESISTANCE: ≥1000MΩ
CONTACT RESISTANCE: ≤10mΩ
AFTER ENVIRONMENTAL TESTING: ≤20mΩ
APPLICABLE BJD HOUSING: 241011-07XX01
P/N SYSTEM:

141011-21 XX 10
PIN NO.
02-02PIN
03-03PIN
...



MATED DIMENSION

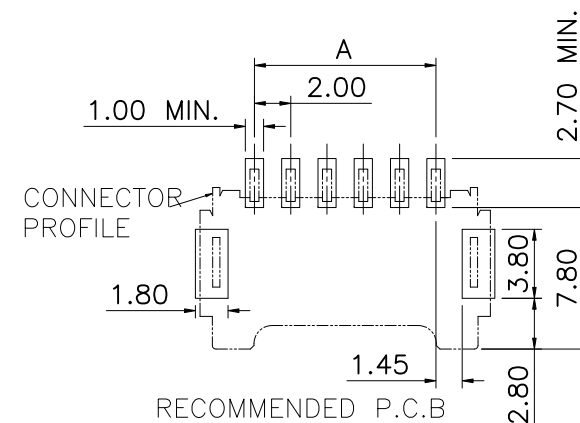
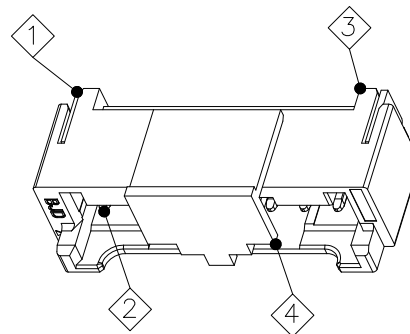
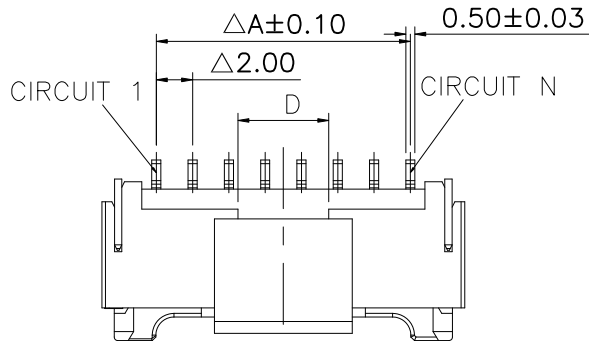


PIN NO.	02	03	04	05	06	07	08	09	10	11	12	13	14	15
DIM. A	2.00	4.00	6.00	8.00	10.00	12.00	14.00	16.00	18.00	20.00	22.00	24.00	26.00	28.00
DIM. B	8.00	10.00	12.00	14.00	16.00	18.00	20.00	22.00	24.00	26.00	28.00	30.00	32.00	34.00
DIM. C	4.50	6.50	8.50	10.50	12.50	14.50	16.50	18.50	20.50	22.50	24.50	26.50	28.50	30.50
DIM. D	2.30	4.25	5.00					11.45						

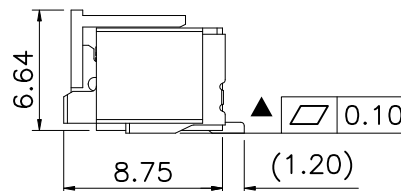
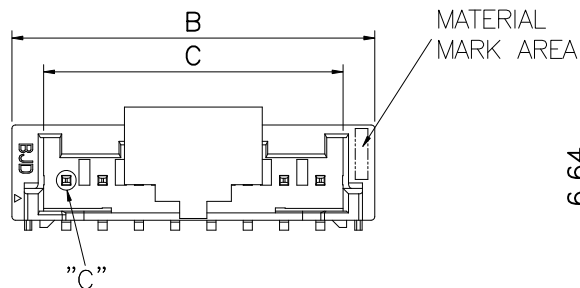
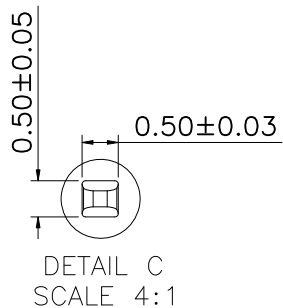
3	SOLDERING PIN	2	COPPER ALLOY	MATTE TIN PLATED OVER NICKEL
2	CONTACT PIN	N	COPPER ALLOY	MATTE TIN PLATED OVER NICKEL
1	HOUSING	1	PA9T,COLOR:NATURAL	UL94V-0
ITEM	PART NAME	Q'TY	MATERIAL	REMARK

X5	ADD NEW OPTION	JAY	2023-06-14	UNLESS OTHERWISE SPECIFIED TOLERANCES ARE
X4	UPDATE THE P/N SYSTEM	JAY	2023-01-13	
X3	ADD MATERIAL FLAMMABILITY INFORMATION	JAY	2022-10-27	
X2	ADD MYLAR OPTION	JAY	2021-07-03	
X1	ADD DETAIL C	JAY	2021-06-24	
X0	INITIAL REVISION	JAY	2021-03-24	UNIT
SER	REVISIONS	CHK	DATE	MM

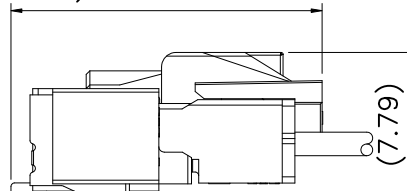
客户图 Drawings	北极大电子科技有限公司 BEIJIDA ELECTRONICS TECHNOLOGY CO. LIMITED			
APPROVED JAY	DATE 2021-07-03	PART NO 141011-21XX10		
CHECKED JAY	DATE 2021-07-03	NAME 2.00MM R/A SMT WAFER		
DRAWN AUSTIN	DATE 2021-07-03	SIZE A4	SCALE 2.5:1	SHEET 1/1
				REV X5



RECOMMENDED P.C.B
LAYOUT
TOLERANCE:±0.05
(BOTTOM VIEW)



(17.15)RETAINER INCLUDED



MATED DIMENSION

NOTES:

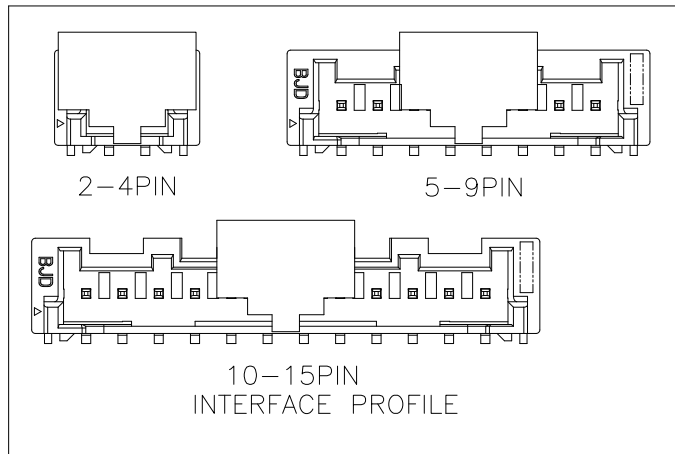
VOLTAGE RATING: 250V AC/DC MAX.
CURRENT RATING: 3A AC/DC(HIGHER CURRENT RATING ACHIEVABLE, CONTACT SALES FOR ADDITIONAL TECHNICAL INFORMATION)
WITHSTANDING VOLTAGE: 800V AC/MINUTE
TEMPERATURE RANGE: -40°C ~+125°C
INSULATION RESISTANCE: ≥1000MΩ
CONTACT RESISTANCE: ≤10mΩ
AFTER ENVIRONMENTAL TESTING: ≤20mΩ
APPLICABLE BJD HOUSING: 241011-07XX01

P/N SYSTEM:

14101X-21 XX 10

PIN NO.

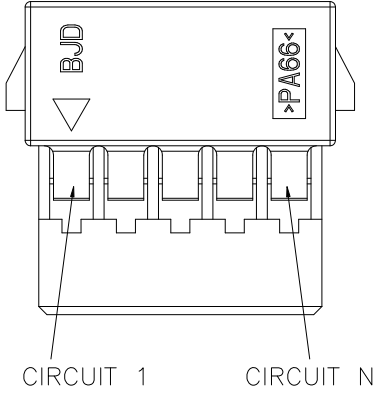
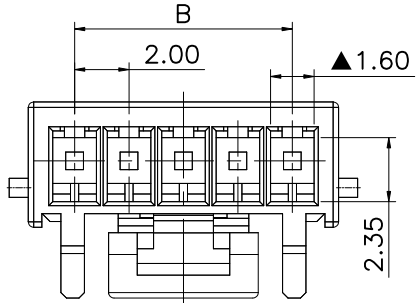
1: WITHOUT PICK UP CAP 02-02PIN
3: WITH PICK UP CAP 03-03PIN
... ..



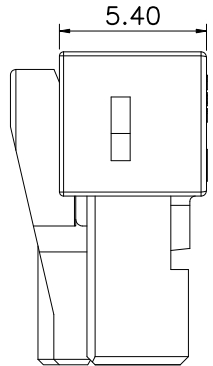
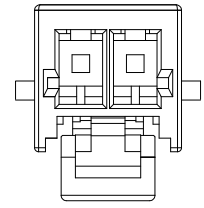
PIN NO.	02	03	04	05	06	07	08	09	10	11	12	13	14	15
DIM. A	2.00	4.00	6.00	8.00	10.00	12.00	14.00	16.00	18.00	20.00	22.00	24.00	26.00	28.00
B	8.00	10.00	12.00	14.00	16.00	18.00	20.00	22.00	24.00	26.00	28.00	30.00	32.00	34.00
C	4.50	6.50	8.50	10.50	12.50	14.50	16.50	18.50	20.50	22.50	24.50	26.50	28.50	30.50
D	2.30	4.25	5.00					11.45						

4	PICK UP CAP	1	HIGH TEMPERATURE THERMOPLASTIC	UL94V-0
3	SOLDERING PIN	2	COPPER ALLOY	MATTE TIN PLATED OVER NICKEL
2	CONTACT PIN	N	COPPER ALLOY	MATTE TIN PLATED OVER NICKEL
1	HOUSING	1	PA9T,COLOR:NATURAL	UL94V-0
ITEM	PART NAME	Q'TY	MATERIAL	REMARK

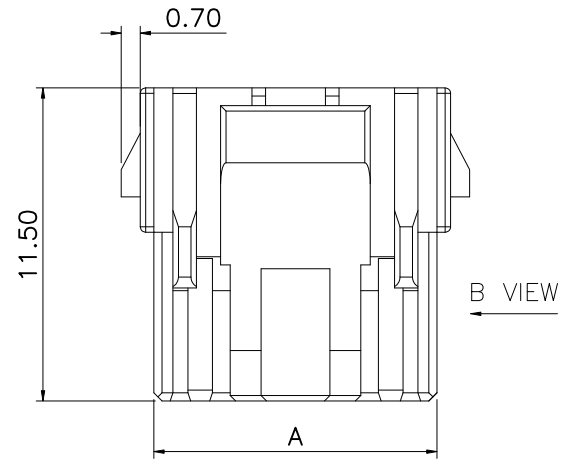
				UNLESS OTHERWISE SPECIFIED TOLERANCES ARE		客户图 Drawings		北极大电子科技有限公司 BEIJIDA ELECTRONICS TECHNOLOGY CO. LIMITED			
X3	ADD NEW OPTION	JAY	2023-06-14	X.X	±0.30	APPROVED	DATE	PART NO			
X2	UPDATE THE P/N SYSTEM	JAY	2023-01-13	X.XX	±0.25	JAY	2021-07-03	14101X-21XX10			
X1	ADD MATERIAL FLAMMABILITY INFORMATION	JAY	2022-10-27	X.XXX	±0.10	CHECKED	DATE	NAME			
X0	INITIAL REVISION	JAY	2022-01-06	ANG.	±2'	JAY	2021-07-03	2.00MM R/A SMT WAFER			
SER	REVISIONS	CHK	DATE	UNIT	MM	DRAWN	DATE	SIZE	SCALE	SHEET	REV
						AUSTIN	2021-07-03	A4	2.5:1	1/1	X3



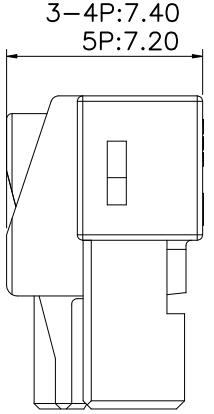
A VIEW



2PIN SHOWN

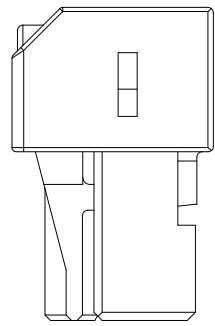


B VIEW

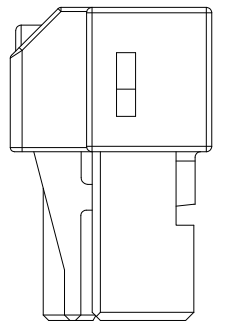


5PIN SHOWN

A View



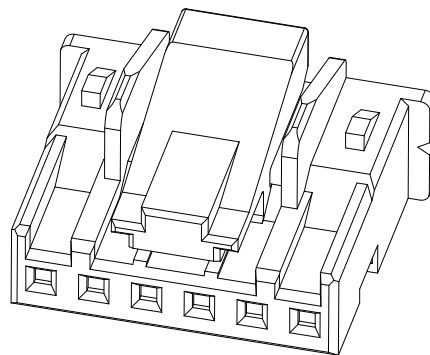
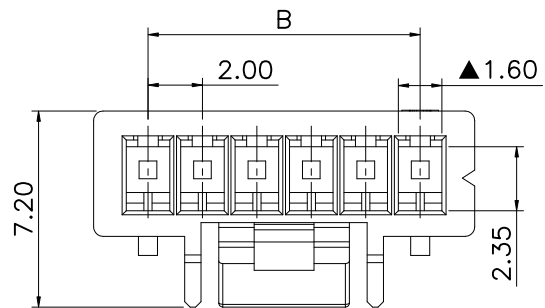
3PIN SHOWN



4PIN SHOWN

B VIEW

				UNLESS OTHERWISE SPECIFIED TOLERANCES ARE		客户图 Drawings		北极大电子科技有限公司 BEIJIDA ELECTRONICS TECHNOLOGY CO. LIMITED				
				X.		APPROVED		DATE		PART NO		
				X.X ±0.30		JAY		2021-03-24		241011-07XX01		
				X.XX ±0.25		CHECKED		DATE		NAME		
				X.XXX ±0.10		JAY		2021-03-24		2.00MM WTB HOUSING		
				ANG. ±2'		DRAWN		DATE		SIZE		
X1	ADD MATERIAL FLAMMABILITY INFORMATION	JAY	2022-10-27	UNIT	MM	AUSTIN		2021-03-24		SCALE	SHEET	REV
X0	INITIAL REVISION	JAY	2021-03-24	SER		REVISIONS	CHK	DATE	A4	4:1	1/2	X1



PIN NO.	DIM.	
	A	B
02	4.40	2.00
03	6.40	4.00
04	8.40	6.00
05	10.40	8.00
06	12.40	10.00
07	14.40	12.00
08	16.40	14.00
09	18.40	16.00
10	20.40	18.00
11	22.40	20.00
12	24.40	22.00
13	26.40	24.00
14	28.40	26.00
15	30.40	28.00

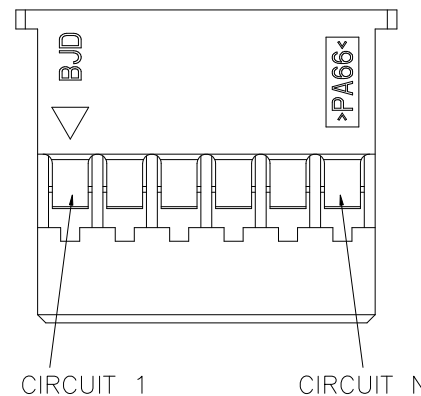
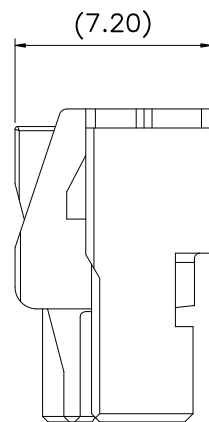
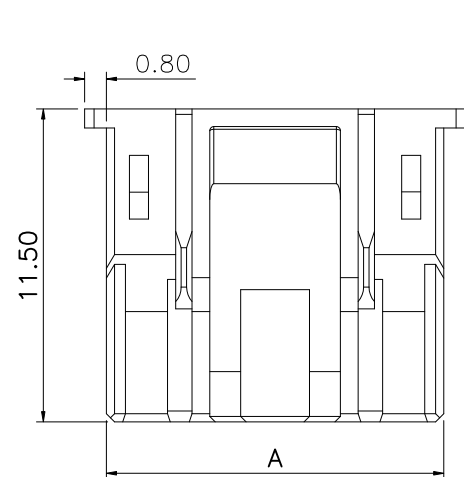
NOTES:

VOLTAGE RATING: 250V AC/DC MAX.
 CURRENT RATING: 3A AC/DC(HIGHER CURRENT RATING ACHIEVABLE,CONTACT SALES FOR ADDITIONAL TECHNICAL INFORMATION)
 WITHSTANDING VOLTAGE: 800V AC/MINUTE
 TEMPERATURE RANGE: -40°C ~ +125°C
 INSULATION RESISTANCE: ≥1000MΩ
 CONTACT RESISTANCE: ≤10mΩ
 AFTER ENVIRONMENTAL TESTING: ≤20mΩ
 MATERIAL: PA66 UL94V-0,COLOR:NATURAL APPLICABLE
 BJD WAFER: 141011-21XX10
 BJD TPA: 241011-09XX02
 BJD TERMINAL: 241011-08XXX0

P/N SYSTEM:

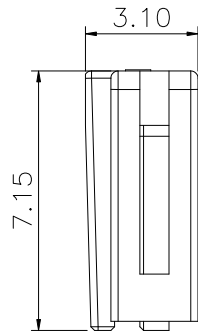
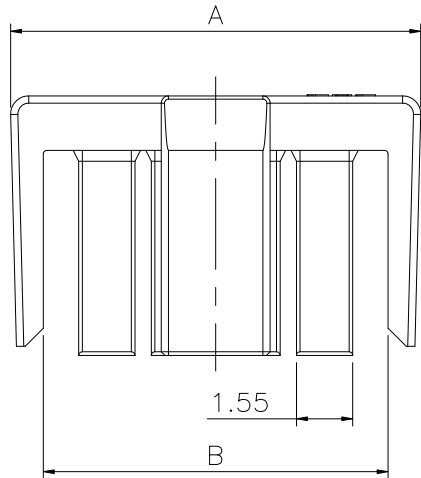
241011-07 XX 01

┌ PIN NO.
 02-02PIN
 03-03PIN

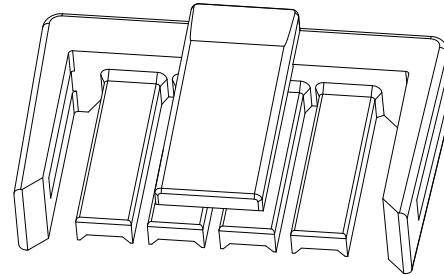
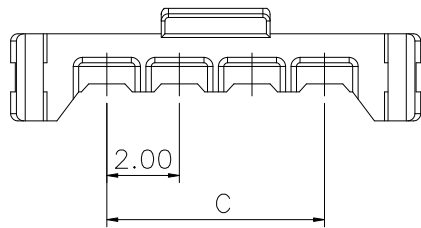
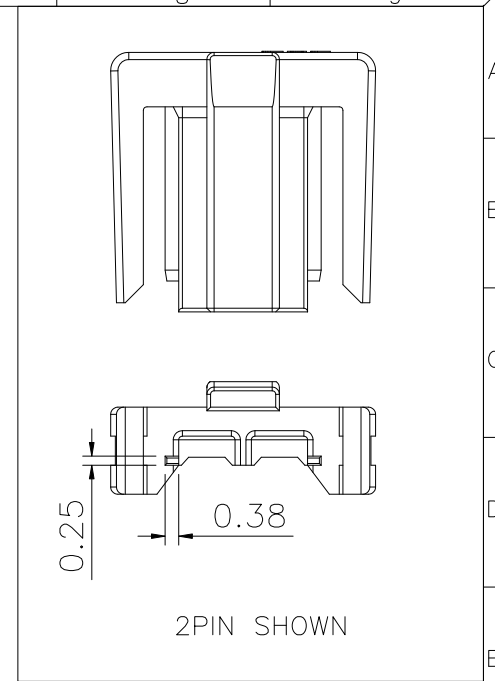


6-15PIN SHOWN

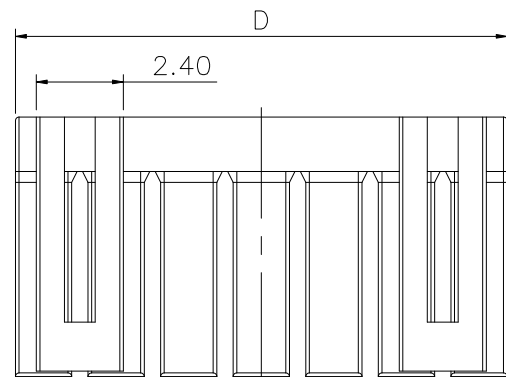
				UNLESS OTHERWISE SPECIFIED TOLERANCES ARE		客户图 Drawings		北极大电子科技有限公司 BEIJIDA ELECTRONICS TECHNOLOGY CO. LIMITED			
				X. ±0.30		APPROVED JAY		DATE 2021-03-24		PART NO 241011-07XX01	
				X.XX ±0.25		CHECKED JAY		DATE 2021-03-24		NAME 2.00MM WTB HOUSING	
				X.XXX ±0.10		DRAWN AUSTIN		DATE 2021-03-24		SIZE A4	
				ANG. ±2'		SER		SCALE 4:1		SHEET 2/2	
X1 ADD MATERIAL FLAMMABILITY INFORMATION		JAY	2022-10-27	UNIT MM		REV X1					
X0 INITIAL REVISION		JAY	2021-03-24	DATE							
REVISIONS		CHK	DATE								



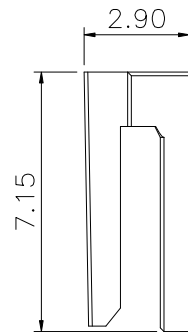
PIN NO.	DIM.		
	A	B	C
02	7.30	5.50	2.00
03	9.30	7.50	4.00
04	11.30	9.50	6.00
05	13.30	11.50	8.00



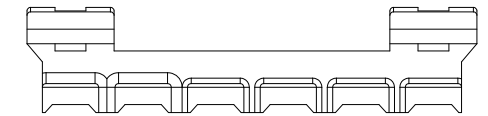
				UNLESS OTHERWISE SPECIFIED TOLERANCES ARE		客户图 Drawings		北极大电子科技有限公司 BEIJIDA ELECTRONICS TECHNOLOGY CO. LIMITED					
				X. X.X ±0.30 X.XX ±0.25 X.XXX ±0.10 ANG. ±2'		APPROVED JAY		DATE 2021-03-24		PART NO 241011-09XX02			
X1 ADD MATERIAL FLAMMABILITY INFORMATION				JAY	2022-10-27	CHECKED JAY		DATE 2021-03-24		NAME 2.00MM WTB TPA			
X0 INITIAL REVISION				JAY	2021-03-24	DRAWN AUSTIN		DATE 2021-03-24		SIZE A4	SCALE 5:1	SHEET 1/2	REV X1
SER	REVISIONS	CHK	DATE	UNIT MM									



A VIEW



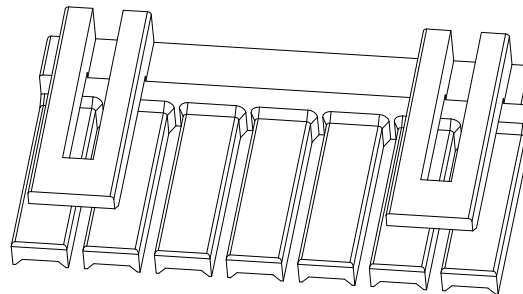
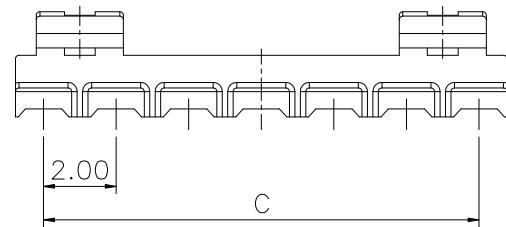
PIN NO.	DIM.	
	C	D
06	10.00	11.55
07	12.00	13.55
08	14.00	15.55
09	16.00	17.55
10	18.00	19.55
11	20.00	21.55
12	22.00	23.55
13	24.00	25.55
14	26.00	27.55
15	28.00	29.55



6/10PIN SHOWN(A VIEW)

NOTES:

VOLTAGE RATING: 250V AC/DC MAX.
 CURRENT RATING: 3A AC/DC(HIGHER CURRENT RATING ACHIEVABLE,CONTACT SALES FOR ADDITIONAL TECHNICAL INFORMATION)
 WITHSTANDING VOLTAGE: 800V AC/MINUTE
 TEMPERATURE RANGE: -40°C ~ +125°C
 INSULATION RESISTANCE: ≥1000MΩ
 CONTACT RESISTANCE: ≤10mΩ
 AFTER ENVIRONMENTAL TESTING: ≤20mΩ
 MATERIAL: HIGH TEMPERATURE THERMOPLASTIC,UL94V-0 COLOR:NATURAL
 APPLICABLE BJD HOUSING: 241011-07XX01

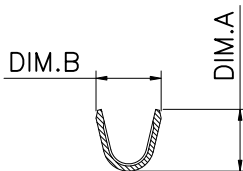
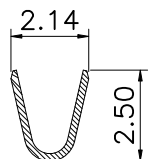
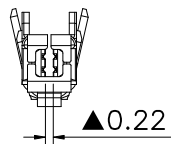
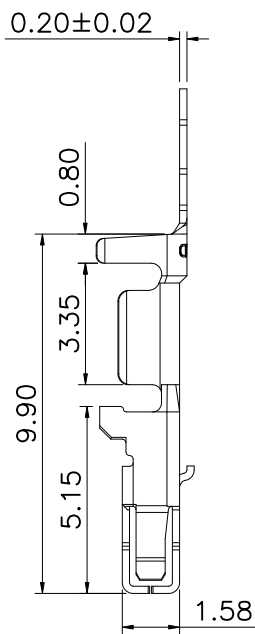
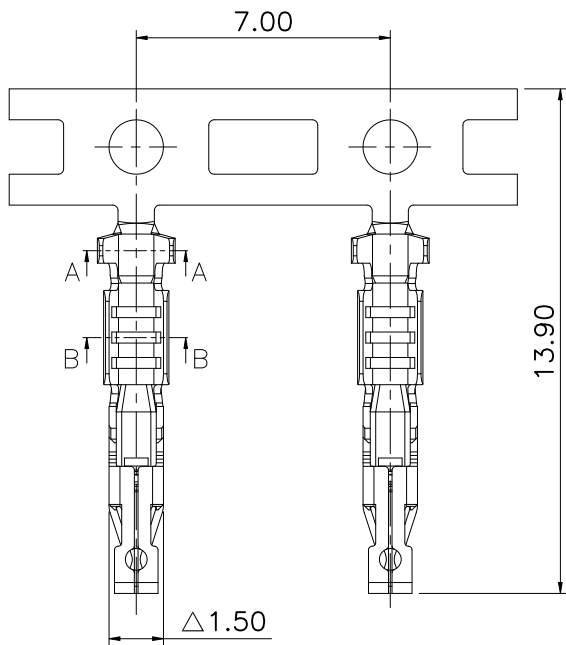


P/N SYSTEM:

241011-09 XX 02

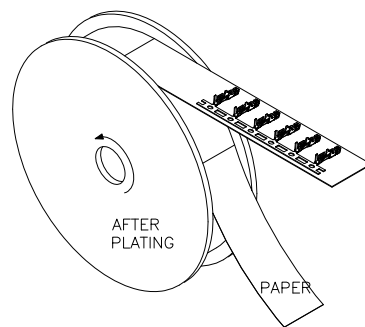
PIN NO.
 02-02PIN
 03-03PIN

				UNLESS OTHERWISE SPECIFIED TOLERANCES ARE		客户图 Drawings		北极大电子科技有限公司 BEIJIDA ELECTRONICS TECHNOLOGY CO. LIMITED			
				X. ±0.30		APPROVED JAY		DATE 2021-03-24		PART NO 241011-09XX02	
				X.XX ±0.25		CHECKED JAY		DATE 2021-03-24		NAME 2.00MM WTB TPA	
				X.XXX ±0.10		DRAWN AUSTIN		DATE 2021-03-24		SIZE A4	
				ANG. ±2'		UNIT MM		SCALE 5:1		SHEET 2/2	
X1	ADD MATERIAL FLAMMABILITY INFORMATION	JAY	2022-10-27			REV X1					
X0	INITIAL REVISION	JAY	2021-03-24								
SER	REVISIONS	CHK	DATE								



SECTION A-A

SECTION B-B



NOTES:

VOLTAGE RATING: 250V AC/DC MAX.
 CURRENT RATING: 3A AC/DC(HIGHER CURRENT RATING ACHIEVABLE,CONTACT SALES FOR ADDITIONAL TECHNICAL INFORMATION)
 WITHSTANDING VOLTAGE: 800V AC/MINUTE
 TEMPERATURE RANGE: -40°C ~+125°C
 INSULATION RESISTANCE: ≥1000MΩ
 CONTACT RESISTANCE: ≤10mΩ
 AFTER ENVIRONMENTAL TESTING: ≤20mΩ

MATERIAL: PHOSPHOR BRONZE
 PLATING: 120U”(1~3UM)NI,80~200U”(2~5UM)TIN
 APPLICABLE BJD HOUSING: 241011-07XX01

241011-081140	0.22MM ² ~0.35MM ² (24 AWG~22 AWG) OD=1.30 MAX.	1.60	1.70
241011-081150	0.35MM ² ~0.50MM ² (22 AWG~20 AWG) OD=1.60 MAX.	1.75	1.80
P/N	WIRE SIZE	DIM.A	DIM.B

				UNLESS OTHERWISE SPECIFIED TOLERANCES ARE		客户图 Drawings		北极大电子科技有限公司 BEIJIDA ELECTRONICS TECHNOLOGY CO. LIMITED			
				X.		APPROVED	DATE	PART NO			
				X.X	±0.30	JAY	2021-03-24	241011-0811X0			
				X.XX	±0.25	CHECKED	DATE	NAME			
				X.XXX	±0.10	JAY	2021-03-24	2.00MM WTB CRIMP TERMINAL			
				ANG.	±2'	DRAWN	DATE	SIZE	SCALE	SHEET	REV
X1	Update wire size description	JAY	2021-11-26	UNIT	MM	AUSTIN	2021-03-24	A4	5:1	1/1	X1
X0	INITIAL REVISION	JAY	2021-03-24	SER		REVISIONS	CHK	DATE			