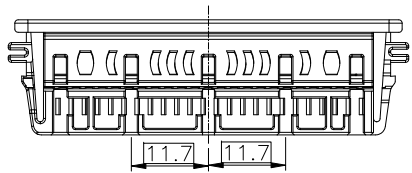


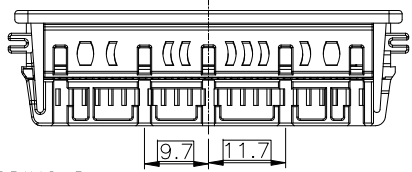
CODING A



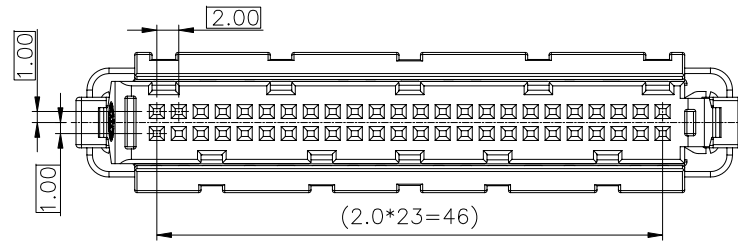
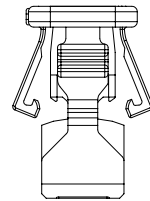
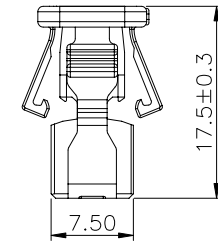
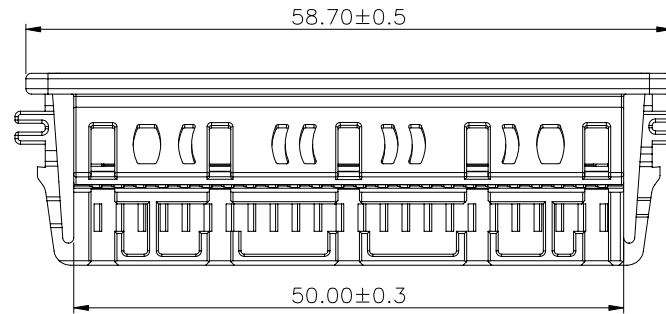
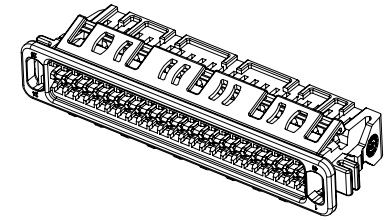
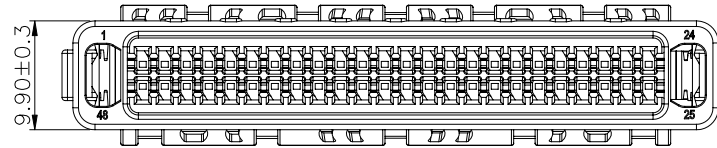
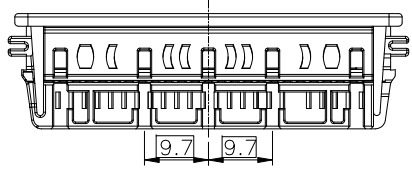
CODING B



CODING C

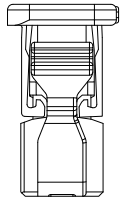


CODING D

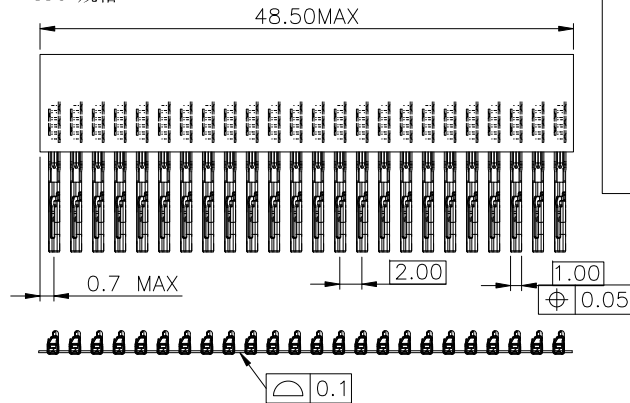


备注:
满足LV214标准

二次锁关闭状态
(非交货状态)



FPC 规格



241174-074801	D	GREEN	PA66
241173-074801	C	BLUE	PA66
241172-074801	B	GRER	PA66
241171-074801	A	BLACK	PA66
PART NO	CODING	COLOR	MATERIAL

客户图
Drawings
北极大电子科技有限公司
BEIJIDA ELECTRONICS TECHNOLOGY CO. LIMITED

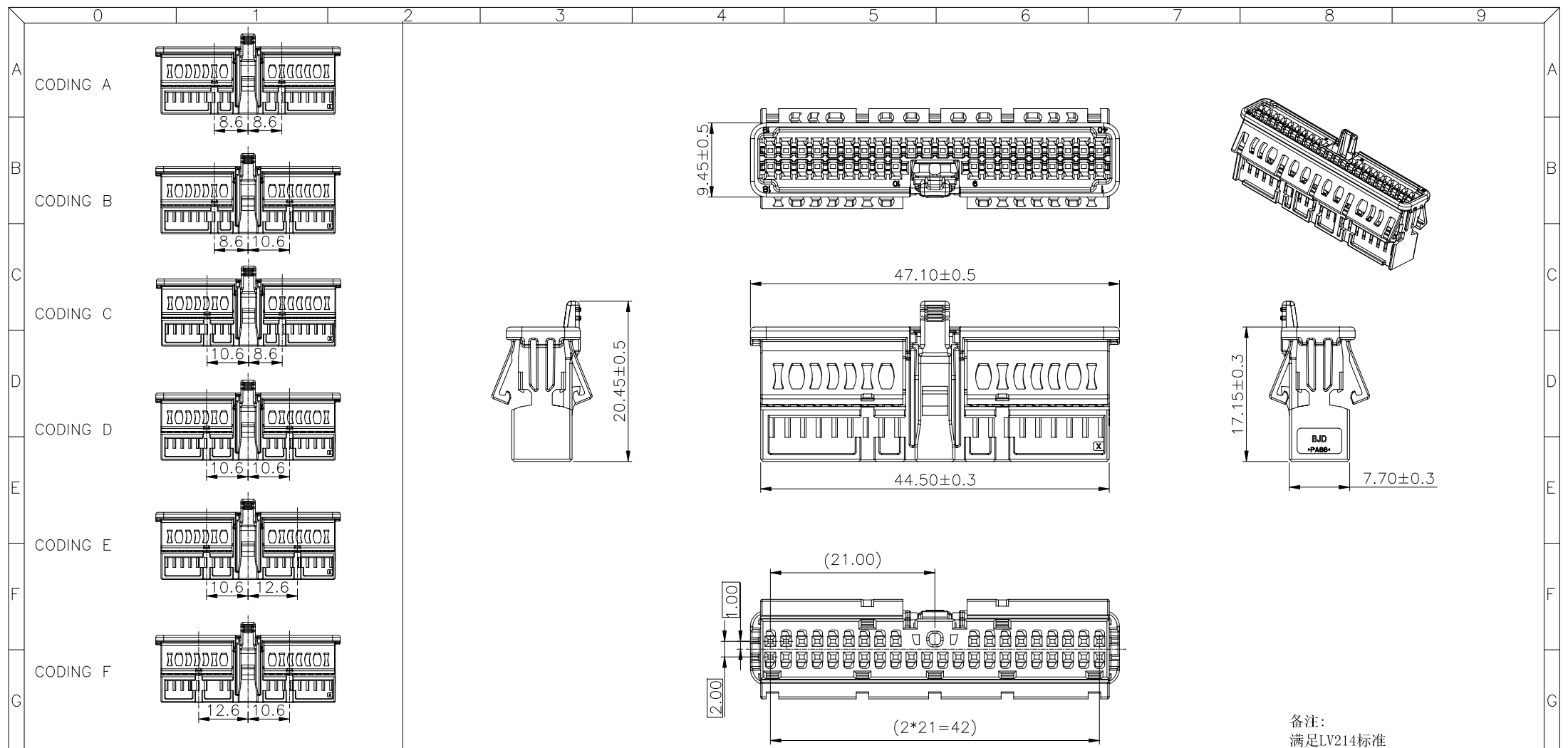
APPROVED
Jay
DATE
2023-05-13
PART NO
24117X-074801

CHECKED
Jay
DATE
2023-05-13
NAME
48 PIN 线端胶壳

DRAWN
Bob
DATE
2023-05-13
SIZE
A4
SCALE
1.5:1
SHEET
1/1
REV
X1

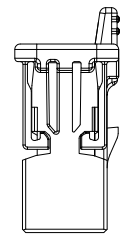
UNLESS OTHERWISE SPECIFIED TOLERANCES ARE			
X.			
X.X	±0.30		
X.XX	±0.20		
X.XXX			
ANG.	±2'		
X1	结构变更	Jay	2023-06-28
SER	REVISIONS	CHK	DATE



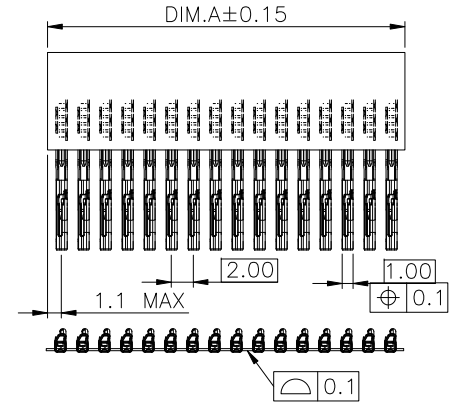


备注：
满足LV214标准

二次锁关闭状态
(非交货状态)



FPC 规格



ITEM	DIM. A	UNLESS OTHERWISE SPECIFIED TOLERANCES ARE			
22PIN	44.2	X.			
		X.X	±0.30		
		X.XX	±0.20		
		X.XXX			
		ANG.	±2°		
X1	结构变更	Jay	2023-06-28	UNIT	MM
SER	REVISIONS	CHK	DATE		

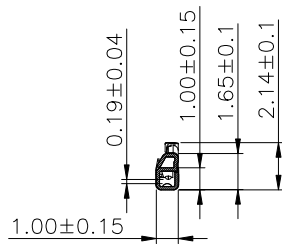
客户图
Drawings

APPROVED
Jay
CHECKED
Jay
DRAWN
Bob

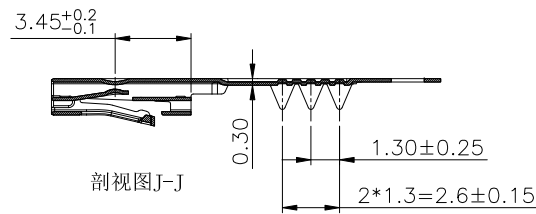
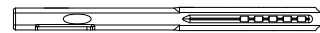
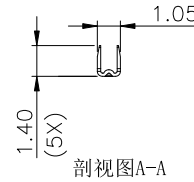
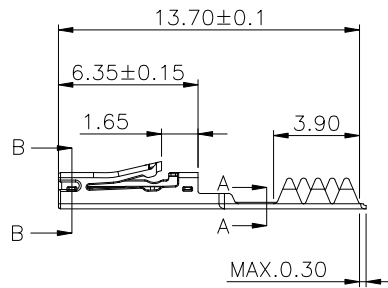
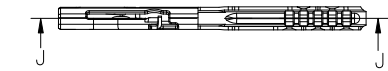
PART NO	CODING	COLOR	MATERIAL
241176-074001	F	VIOLET	PA66
241175-074001	E	BROWN	PA66
241174-074001	D	GREEN	PA66
241173-074001	C	BLUE	PA66
241172-074001	B	GRER	PA66
241171-074001	A	BLACK	PA66

北极大电子科技有限公司
BEIJIDA ELECTRONICS TECHNOLOGY CO. LIMITED

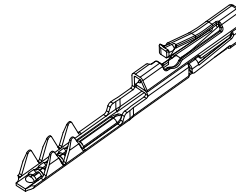
APPROVED DATE 2023-05-13 PART NO 24117X-074001
CHECKED DATE 2023-05-13 NAME 40 PIN 线端胶壳
DRAWN DATE 2023-05-13 SIZE A4 SCALE 1.5:1 SHEET 1/1 REV X1



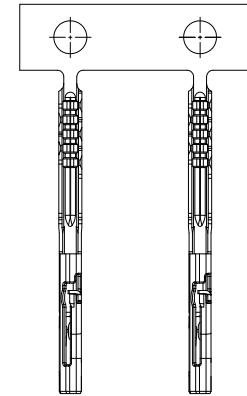
剖视图B-B



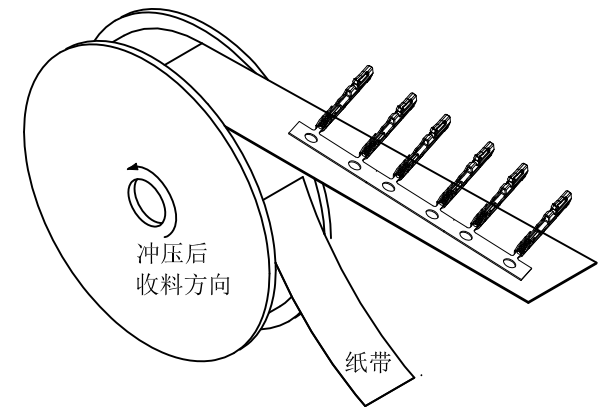
剖视图J-J



料带示意图



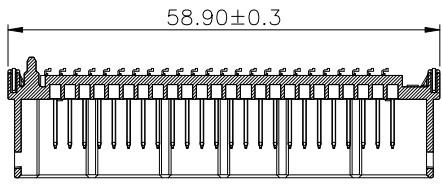
卷装示意图



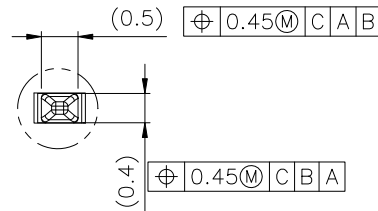
备注:
材料: 铜合金
电镀: 镀金或镀锡

				UNLESS OTHERWISE SPECIFIED TOLERANCES ARE
				X.
				X.X ±0.30
				X.XX ±0.20
				X.XXX
				ANG. ±2'
X1	结构变更	Jay	2023-06-28	UNIT
SER	REVISIONS	CHK	DATE	MM

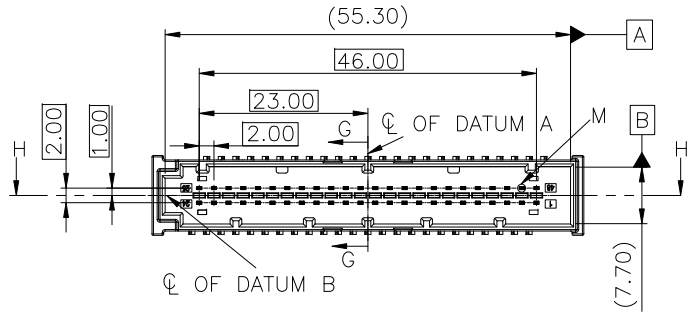
客户图		北极大电子科技有限公司			
Drawings		BEIJIDA ELECTRONICS TECHNOLOGY CO. LIMITED			
APPROVED	DATE	PART NO			
Jay	2023-05-13	241171-080294			
CHECKED	DATE	NAME			
Jay	2023-05-13	线端端子			
DRAWN	DATE	SIZE	SCALE	SHEET	REV
Bob	2023-05-13	A4	3:1	1/1	X1



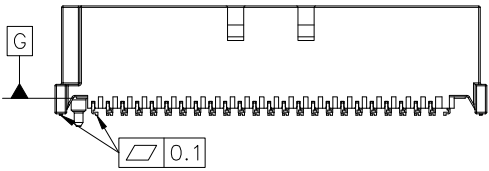
剖视图H-H



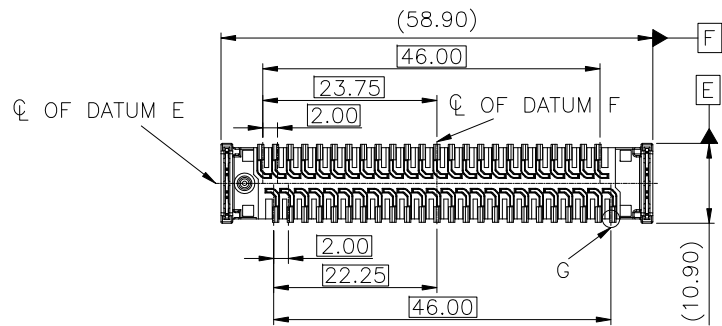
放大视图 M
比例 10:1



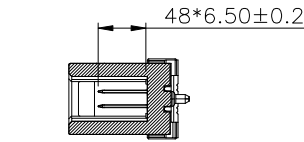
Φ OF DATUM B



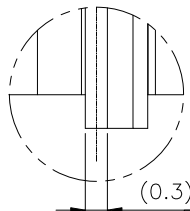
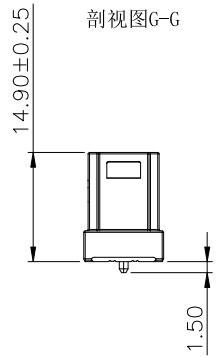
0.1



Φ OF DATUM E



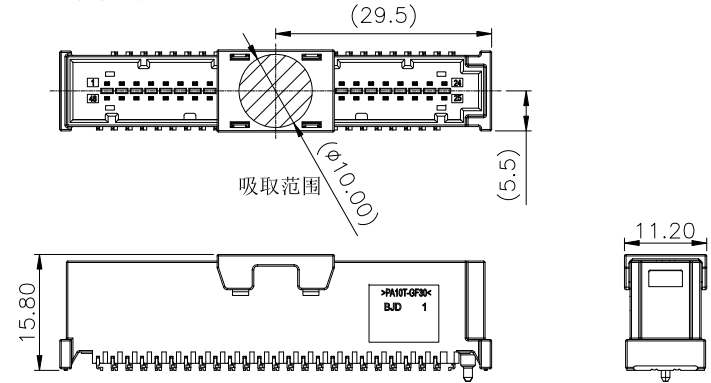
剖视图G-G



放大视图 G
比例 10:1

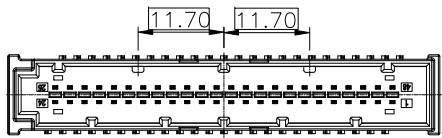
Φ 0.3 G F

CAP组装示意图

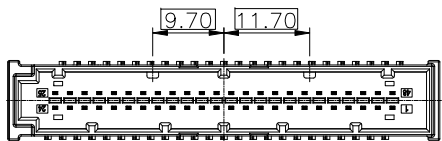


				UNLESS OTHERWISE SPECIFIED TOLERANCES ARE		客户图 Drawings		北极大电子科技有限公司 BEIJIDA ELECTRONICS TECHNOLOGY CO. LIMITED			
				X. ±0.30		APPROVED Jay		DATE 2023-05-13		PART NO 14117X-224810	
				X.XX ±0.20		CHECKED Jay		DATE 2023-05-13		NAME 48 POS板端立贴	
				X.XXX		DRAWN Bob		DATE 2023-05-13		SIZE A4	
				ANG. ±2'				SCALE 1:1		SHEET 1/2	
X1	结构变更	Jay	2023-06-28	UNIT	MM			REV X1			
SER	REVISIONS	CHK	DATE								

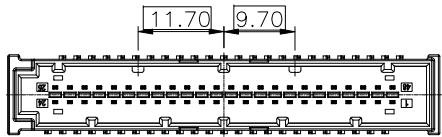
CODING A
BLACK
141171-224810



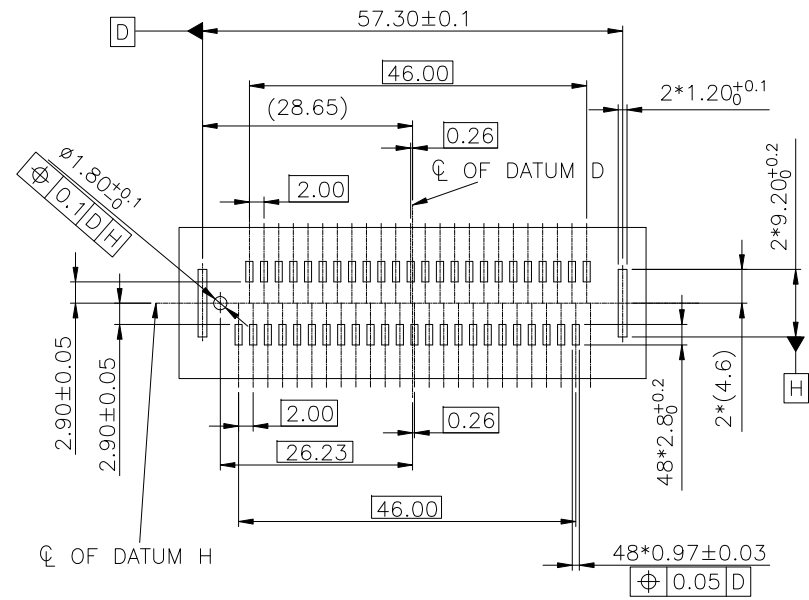
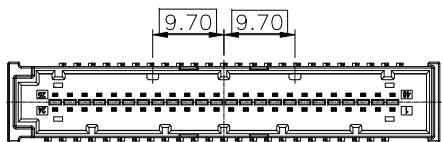
CODING B
GREY
141172-224810



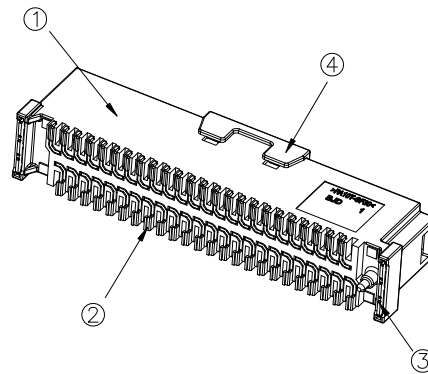
CODING C
BLUE
141173-224810



CODING D
GREEN
141174-224810



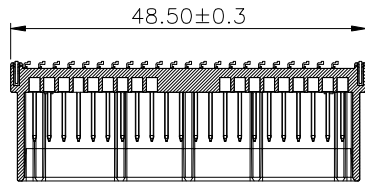
RECOMMEND PCB LAYOUT SCALE 2:1
VIEW FROM COMPONENT SIDE
RECOMMEND THICKNESS OF STENCIL 0.15MM



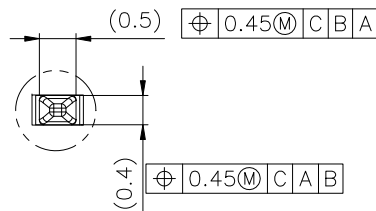
1	FEEDING CAP	PA10T		4
2	SOLDERING BRACKET	COPPER ALLOY	TIN OR AU	3
48	NANO MQS PIN	COPPER ALLOY	TIN OR AU	2
1	48 POS KOUSSING	PA10T		1
QTY	DESCRIPTION	MATERIAL	FINISH	ITEM NO

X1	结构变更	Jay	2023-06-28	UNIT	MM
SER	REVISIONS	CHK	DATE		

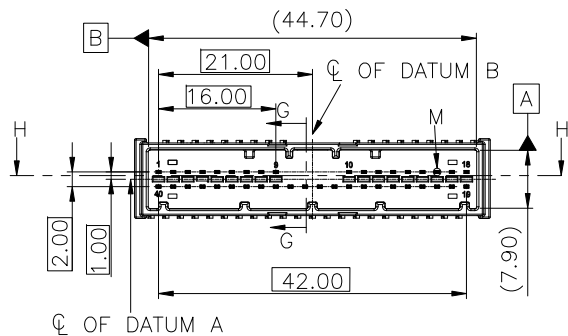
UNLESS OTHERWISE SPECIFIED TOLERANCES ARE		客户图 Drawings		北极大电子科技有限公司 BEIJIDA ELECTRONICS TECHNOLOGY CO. LIMITED			
X.		APPROVED	DATE	PART NO			
X.X	±0.30	Jay	2023-05-13	14117X-224810			
X.XX	±0.20	CHECKED	DATE	NAME			
X.XXX		Jay	2023-05-13	48 POS 板端立贴			
ANG.	±2'	DRAWN	DATE	SIZE	SCALE	SHEET	REV
		Bob	2023-05-13	A4	1:1	2/2	X1



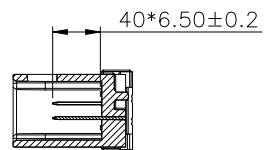
剖视图II-H



放大视图 M
比例 10:1

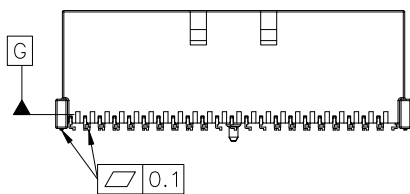
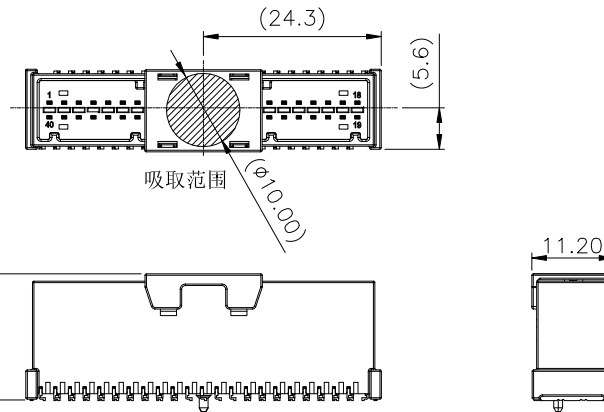


Φ OF DATUM A

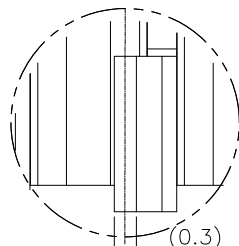
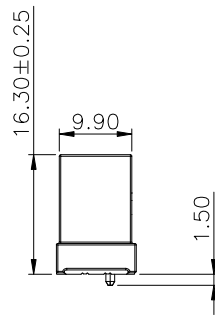


剖视图G-G

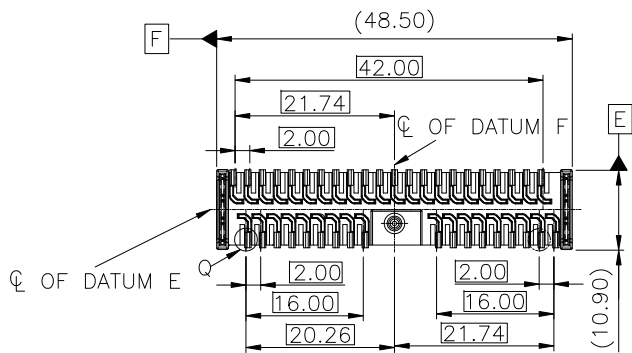
CAP组装示意图



0.1



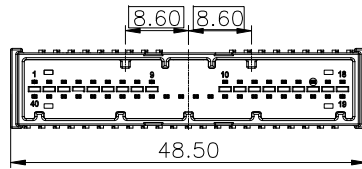
放大视图 Q
比例 10:1



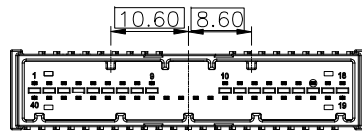
Φ OF DATUM E

				UNLESS OTHERWISE SPECIFIED TOLERANCES ARE		客户图 Drawings		北极大电子科技有限公司 BEIJIDA ELECTRONICS TECHNOLOGY CO. LIMITED			
				X.		APPROVED	DATE	PART NO			
				X.X	±0.30	Jay	2023-05-13	14117X-224010			
				X.XX	±0.20	CHECKED	DATE	NAME			
				X.XXX		Jay	2023-05-13	40 POS板端立贴			
				ANG.	±2'	DRAWN	DATE	SIZE	SCALE	SHEET	REV
X1	结构变更	Jay	2023-06-28	UNIT	MM	Bob	2023-05-13	A4	1:1	1/2	X1
SER	REVISIONS	CHK	DATE								

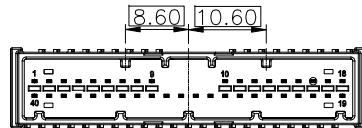
CODING A
BLACK
141171-224010



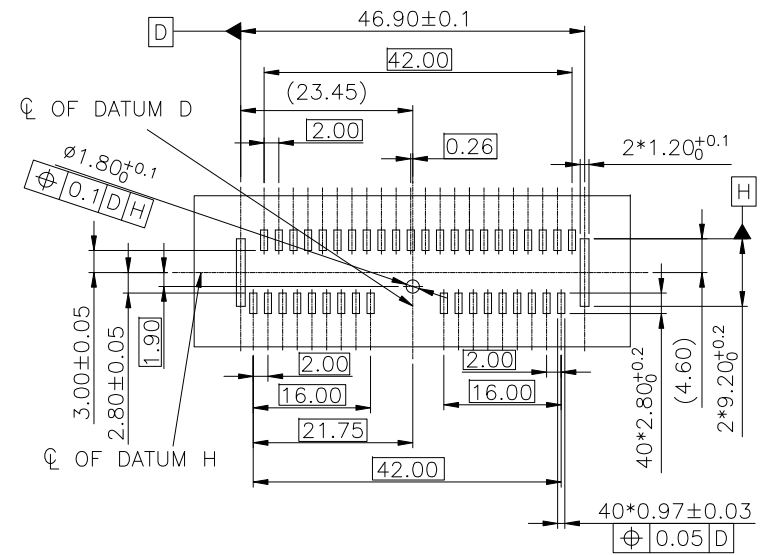
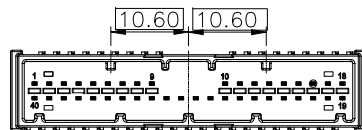
CODING B
GREY
141172-224010



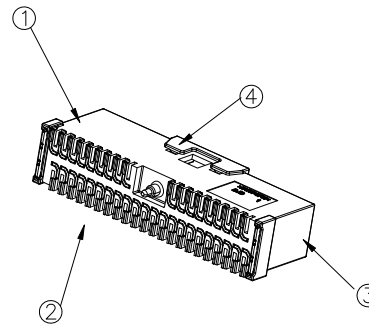
CODING C
BLUE
141173-224010



CODING D
GREEN
141174-224010



RECOMMEND PCB LAYOUT SCALE 2:1
VIEW FROM COMPONENT SIDE
RECOMMEND THICKNESS OF STENCIL 0.15MM



1	FEEDING CAP	PA10T		4
2	SOLDERING BRACKET	COPPER ALLOY	TIN OR AU	3
40	NANO MQS PIN	COPPER ALLOY	TIN OR AU	2
1	40 POS KOUSSING	PA10T		1
QTY	DESCRIPTION	MATERIAL	FINISH	ITEM NO

				UNLESS OTHERWISE SPECIFIED TOLERANCES ARE		客户图 Drawings		北极大电子科技有限公司 BEIJIDA ELECTRONICS TECHNOLOGY CO. LIMITED			
				X.		APPROVED	DATE	PART NO			
				X.X	±0.30	Jay	2023-05-13	14117X-224010			
				X.XX	±0.20	CHECKED	DATE	NAME			
				X.XXX		Jay	2023-05-13	40 POS板端立贴			
				ANG.	±2'	DRAWN	DATE	SIZE	SCALE	SHEET	REV
X1	结构变更	Jay	2023-06-28	UNIT	MM	Bob	2023-05-13	A4	1:1	2/2	X1
SER	REVISIONS	CHK	DATE								