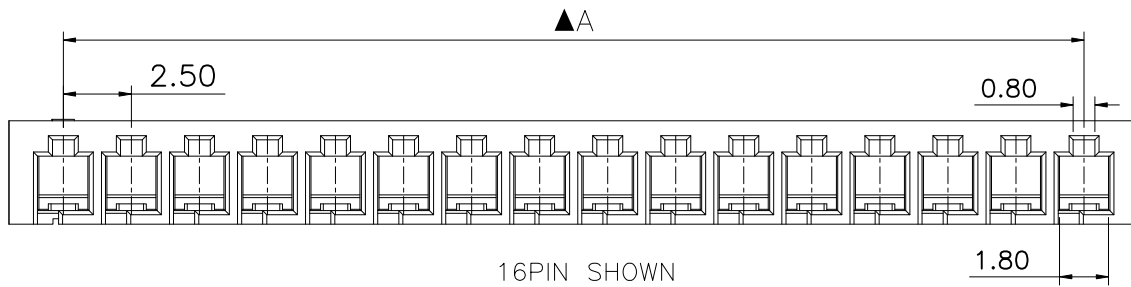
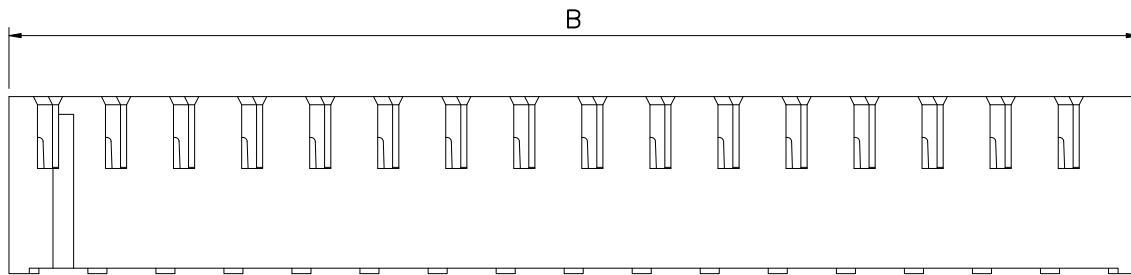


CIRCUIT 1

CIRCUIT N



16PIN SHOWN



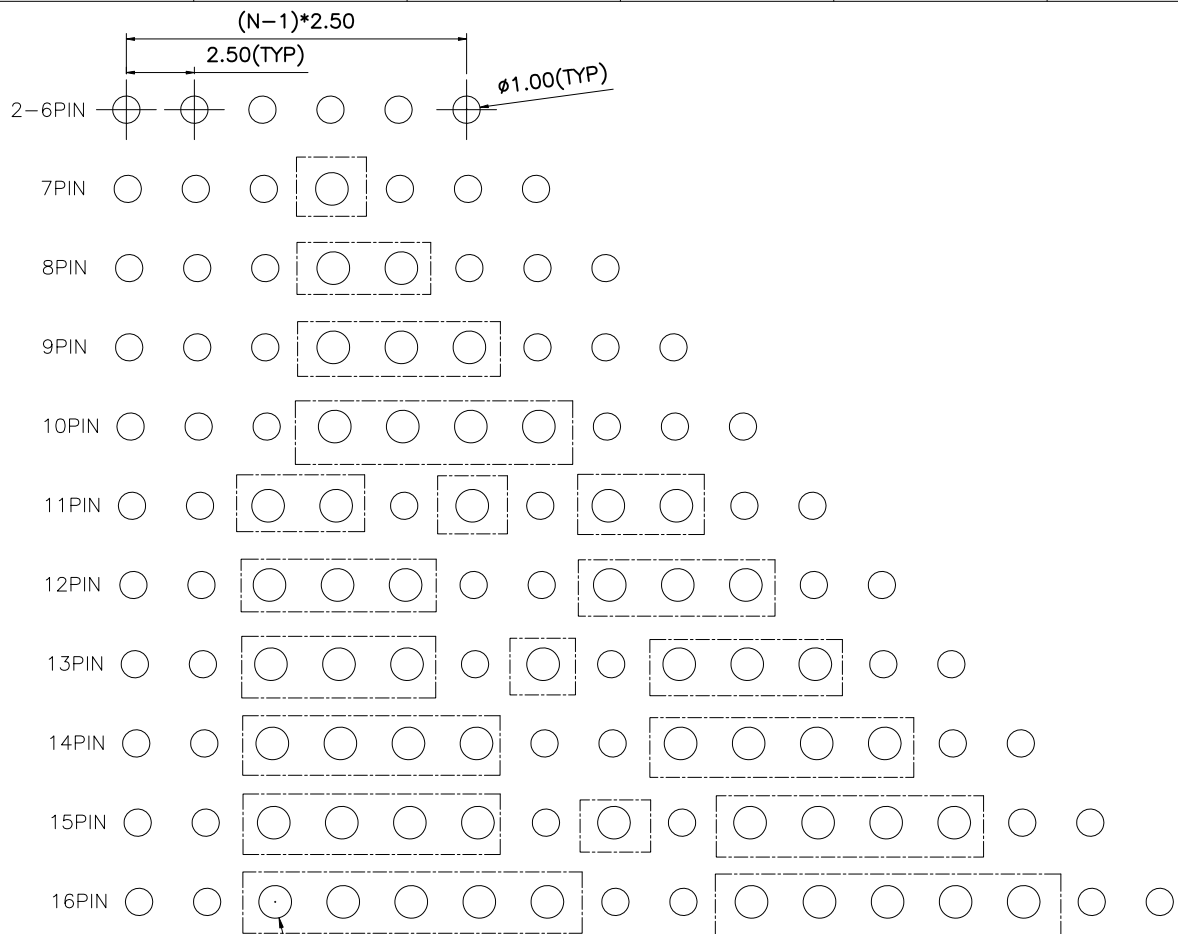
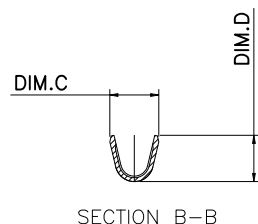
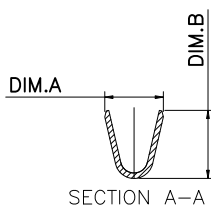
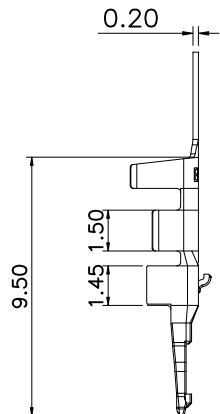
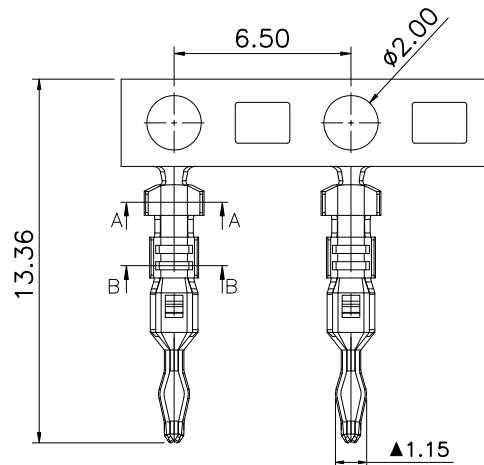
NOTES:
 VOLTAGE RATING: 250V AC/DC MAX.
 CURRENT RATING: 3A AC/DC
 WITHSTANDING VOLTAGE: 800V AC/MINUTE
 TEMPERATURE RANGE: -40°C ~ +125°C
 INSULATION RESISTANCE: ≥1000MΩ
 MATERIAL: PA66
 APPLICABLE BJD TERMINAL:
 241001-0811X0
 241002-0811X0

P/N SYSTEM:
 241001-07 XX 01

PIN NO.
 02-02PIN
 03-03PIN

PIN NO.	DIM.	
	A	B
02	2.50	6.50
03	5.00	9.00
04	7.50	11.50
05	10.00	14.00
06	12.50	16.50
07	15.00	19.00
08	17.50	21.50
09	20.00	24.00
10	22.50	26.50
11	25.00	29.00
12	27.50	31.50
13	30.00	34.00
14	32.50	36.50
15	35.00	39.00
16	37.50	41.50

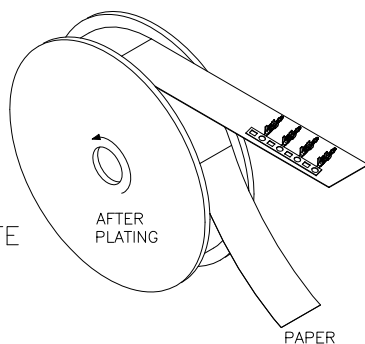
					UNLESS OTHERWISE SPECIFIED TOLERANCES ARE	客户图 Drawings	北极大电子科技有限公司 BEIJIDA ELECTRONICS TECHNOLOGY CO. LIMITED				
					X.	APPROVED	DATE	PART NO			
					X.X ±0.30	Jay	2021-01-30	241001-07XX01			
					X.XX ±0.25	CHECKED	DATE	NAME			
					X.XXX ±0.10	Jay	2021-01-30	2.50MM PTH/BORD-IN CRIMP HOUSING			
					ANG. ±2'	DRAWN	DATE	SIZE	SCALE	SHEET	REV
X0	INITIAL REVISION	Jay	2021-01-30	UNIT		Austin	2021-01-30	A4	4:1	1/1	X0
SER	REVISIONS	CHK	DATE	MM							



NOTES:
 VOLTAGE RATING: 250V AC/DC MAX.
 CURRENT RATING: 3A AC/DC
 WITHSTANDING VOLTAGE: 800V AC/MINUTE
 TEMPERATURE RANGE: -40°C ~ +125°C
 INSULATION RESISTANCE: ≥1000MΩ

MATERIAL: PHOSPHOR BRONZE
 PLATING:
 120U”(1~3UM)NI,80~200U”(2~5UM)TIN

APPLICABLE BJD HOUSING: 241001-07XX01

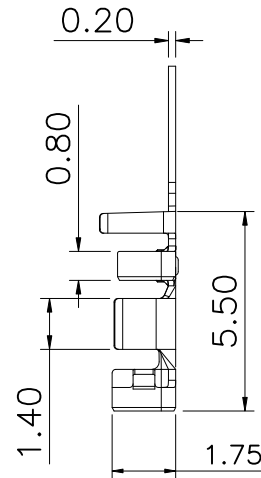
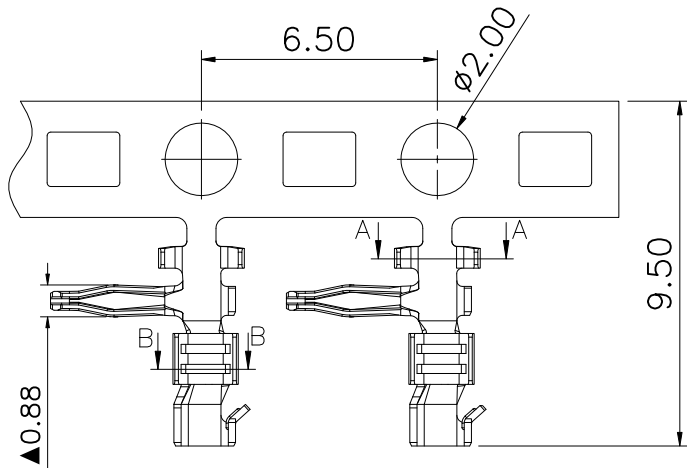


RECOMMENDED PCB LAYOUT
 TOLERANCE:±0.05(PCB)
 THICKNESS=1.6±0.15mm
 N=PIN No.

241001-081160	0.13mm ² ~0.22mm ² (26AWG~24AWG),OD=1.3Max.	2.00	2.15	1.40	1.30
241001-081140	0.22mm ² ~0.35mm ² (24AWG~22AWG),OD=1.3Max.	2.10	2.50	1.80	1.70
P/N	WIRE SIZE	DIM.A	DIM.B	DIM.C	DIM.D

				UNLESS OTHERWISE SPECIFIED TOLERANCES ARE
				X. ±0.30
				X.XX ±0.25
X2	UPDATE PCB LAYOUT	Jay	2022-08-23	X.XXX ±0.10
X1	UPDATE P/N	Jay	2021-05-18	ANG. ±2°
X0	INITIAL REVISION	Jay	2021-01-30	
SER	REVISIONS	CHK	DATE	UNIT
				MM

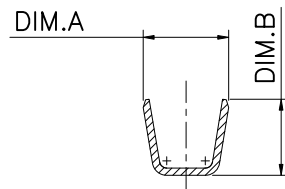
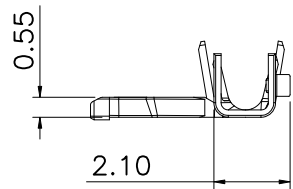
客户图 Drawings		北极大电子科技有限公司 BEIJIDA ELECTRONICS TECHNOLOGY CO. LIMITED			
APPROVED Jay	DATE 2021-01-30	PART NO 241001-0811X0			
CHECKED Jay	DATE 2021-01-30	NAME 2.00MM PTH/BORD-IN CRIMP VTL TERMINAL			
DRAWN Austin	DATE 2021-01-30	SIZE A4	SCALE 4:1	SHEET 1/1	REV X2



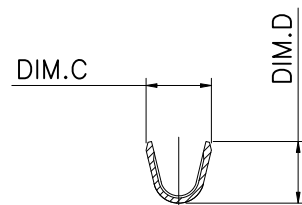
NOTES:
 VOLTAGE RATING: 250V AC/DC MAX.
 CURRENT RATING: 3A AC/DC
 WITHSTANDING VOLTAGE: 800V AC/MINUTE
 TEMPERATURE RANGE: -40°C ~ +125°C
 INSULATION RESISTANCE: ≥1000MΩ

MATERIAL: PHOSPHOR BRONZE
 PLATING:
 120U"(1~3UM)NI,80~200U"(2~5UM)TIN

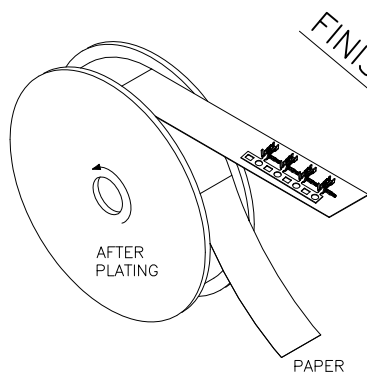
APPLICABLE BJD HOUSING: 241001-07XX01



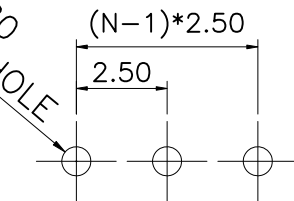
SECTION A-A



SECTION B-B



FINISHED HOLE
 $\phi 0.80$



RECOMMENDED PCB LAYOUT
 TOLERANCE: ±0.05(PCB THICKNESS=1.6±0.15mm)
 N=PIN No.

241002-081160	0.13mm ² ~0.22mm ² (26AWG~24AWG),OD=1.3Max.	2.25	1.85	1.40	1.30
241002-081140	0.22mm ² ~0.35mm ² (24AWG~22AWG),OD=1.3Max.	2.35	2.10	1.80	1.70
P/N	WIRE SIZE	DIM.A	DIM.B	DIM.C	DIM.D

				UNLESS OTHERWISE SPECIFIED TOLERANCES ARE	客户图 Drawings		北极大电子科技有限公司 BEIJIDA ELECTRONICS TECHNOLOGY CO. LIMITED				
				X.	APPROVED	DATE	PART NO				
				X.X	Jay	2021-01-30	241002-0811X0				
				X.XX	CHECKED	DATE	NAME				
X1	UPDATE P/N&PCB LAYOUT	Jay	2021-01-30	X.XXX	Jay	2021-01-30	2.00MM PTH/BORD-IN CRIMP				
X0	INITIAL REVISION	Jay	2021-01-30	ANG.			R/A TERMINAL				
SER	REVISIONS	CHK	DATE	MM	UNIT	DRAWN	DATE	SIZE	SCALE	SHEET	REV
4		5		6	MM	Austin	2021-01-30	A4	5:1	1/1	X1