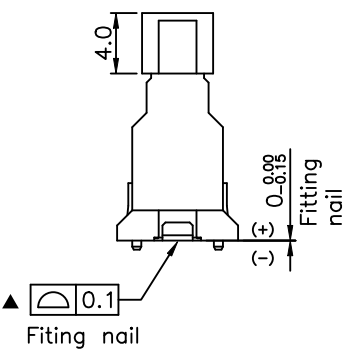
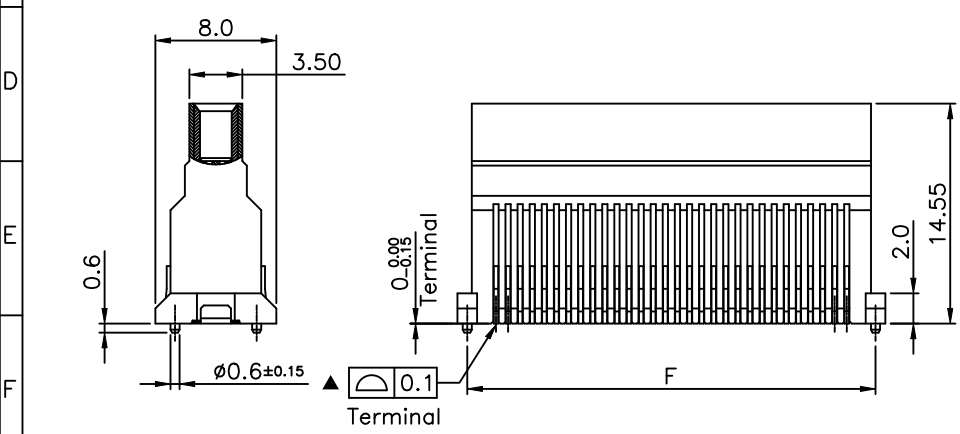
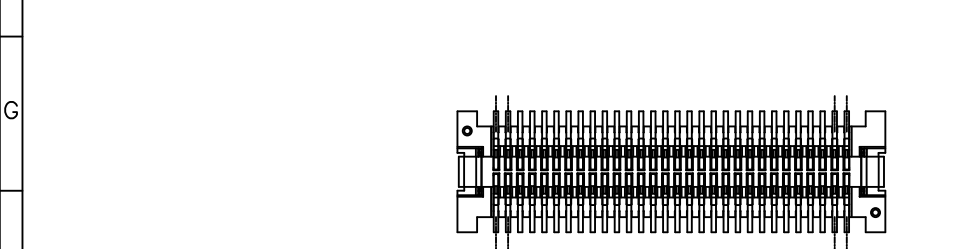


NO. OF POSITION	A	B	C	D	E	F
30	11.2	13.0	16.3	13.7	16.1	15.0
40	15.2	17.0	20.3	17.7	20.1	19.0
50	19.2	21.0	24.3	21.7	24.1	23.0
60	23.2	25.0	28.3	25.7	28.1	27.0

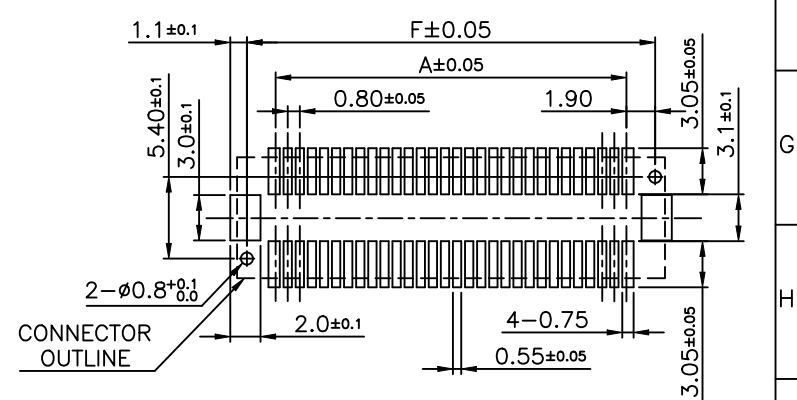
- Notes:
- Housing material: PA-9T (UL94V-0).
 - CAP material: PA-6T (UL94V-0).
 - Terminal material: Copper alloy.
The overall 60u"~200u" Nickel Plated(lead-free).
Welding pin gold plated 2u"~8u" MIN.
contact point gold plated 4u" MIN. (Pb free).
 - Fitting nail material: Copper alloy.
The overall 50u"~100u" Nickel Plated(lead-free).
Plated with matte Tin(100%) 80u"~150u"(lead-free).
 - "▲" Important dimensions.
 - PART NO. Specifications: 123014-20XX50



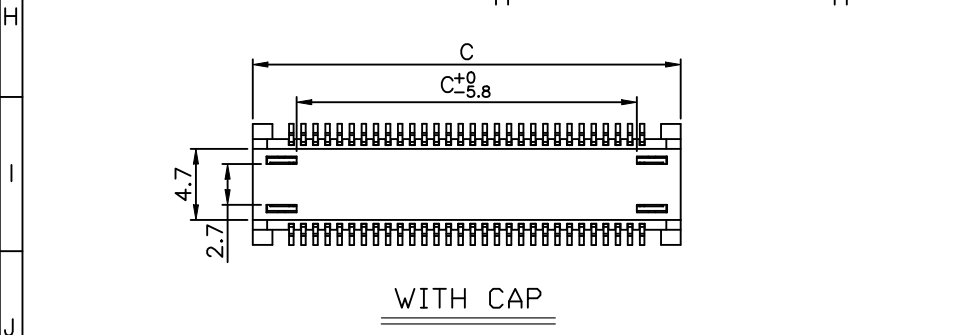
Number of positions



WITH CAP



RECOMMENDED PCB LAYOUT



WITH CAP

				UNLESS OTHERWISE SPECIFIED TOLERANCES ARE	客户图 Drawings	北极大电子科技有限公司 BEIJIDA ELECTRONICS TECHNOLOGY CO. LIMITED			
				X. ±0.20	APPROVED	DATE	COMPUTER NO		
				X.X ±0.10	Tianshu Chen	2019-11-25	123014-X0XXX0		
				X.XXX ANG. ±0°30'	CHECKED	DATE	NAME		
				▲ Revision of plating specification	Lu	2020-05-20	Tianshu Chen 2019-11-25		
				New drawings released	CHAN	2019-11-25	BTB0.8-10 SERIES Floating PLUG ASSY H14.55		
SER	REVISIONS	CHK	DATE	UNIT	DRAWN	DATE	SIZE	SCALE	REV
				MM	CHAN	2019-11-25	A4	2:1	B