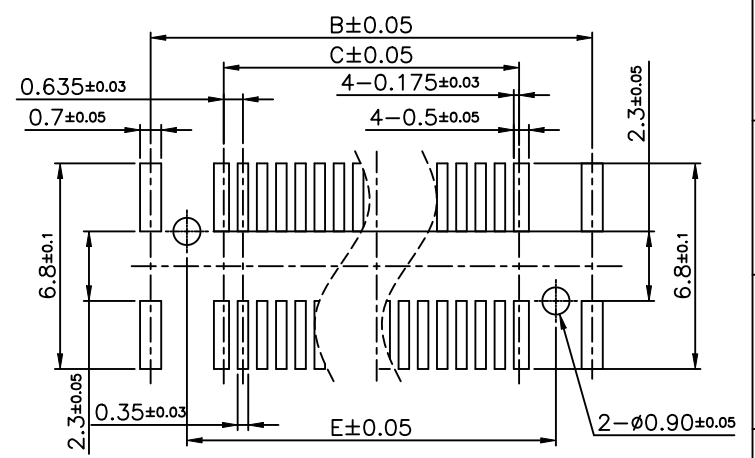
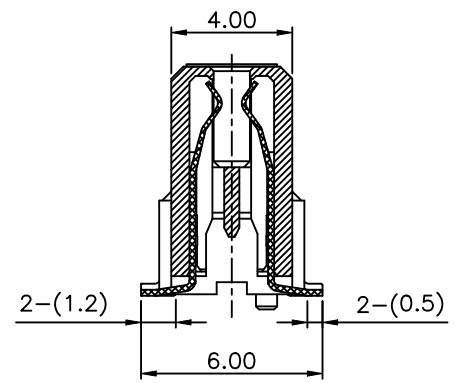
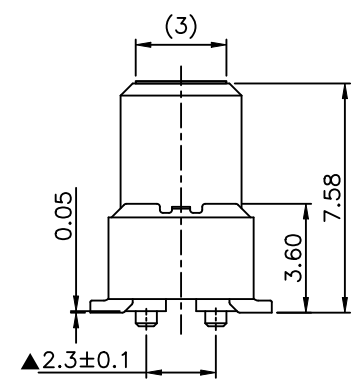


- NOTES:
- Housing material: LCP (UL94V-0).  
Contact material: Phosphor Bronze.  
The overall 60~200u" Nickel Plated (lead-free).  
Welding pin Au 2u"~8u" (Pb free).  
Contact point gold plated 4u" MIN (Pb free).
  - Fitting nail material: Brass.  
The overall 80~120u" Nickel Plated (lead-free).  
Plated with matte Tin(100%) 80u" MIN. (lead-free).
  - ▲ Important dimensions.
  - PART NO. Specifications: 123024-20XX50-HF

Number	A	B	C	D	E
20	11.950	10.550	5.715	8.150	8.150
30	15.125	13.725	8.890	11.325	11.325
40	18.300	16.900	12.065	14.500	14.500
50	21.475	20.075	15.240	17.675	17.675
60	24.650	23.250	18.415	20.850	20.850
70	27.825	26.425	21.590	24.025	24.025
80	31.000	29.600	24.765	27.200	27.200
90	34.175	32.775	27.940	30.375	30.375
100	37.350	35.950	31.115	33.550	33.550

Number of positions



				UNLESS OTHERWISE SPECIFIED TOLERANCES ARE		客户图 Drawings		北极大电子科技有限公司 BEIJIDA ELECTRONICS TECHNOLOGY CO. LIMITED			
				X.		APPROVED		DATE		COMPUTER NO	
				X.X	±0.20	Tianshu Chen		2020-06-29		123024-20XX50-HF	
				X.XX	±0.10	CHECKED		DATE		NAME	
				X.XXX		Tianshu Chen		2020-06-29		BTB0.635-6代浮动式母座 (定位柱)	
				ANG.	±0'30'	DRAWN		DATE		SIZE	
初版发行				QF.DONG	2020-11-18	Loren Lu		2020-06-29		SCALE	
SER	REVISIONS	CHK	DATE	UNIT	MM			SCALE		REV	
4		5		6				4:1		A	