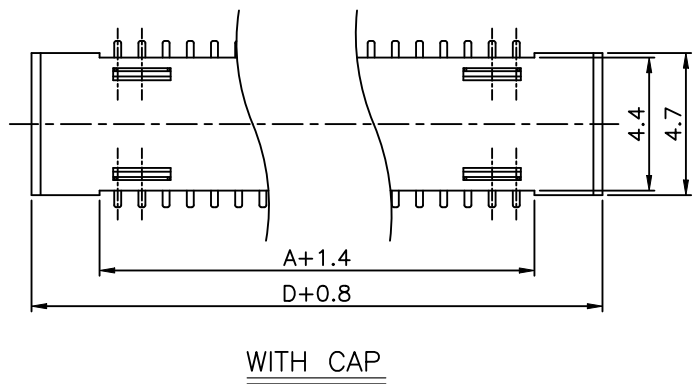
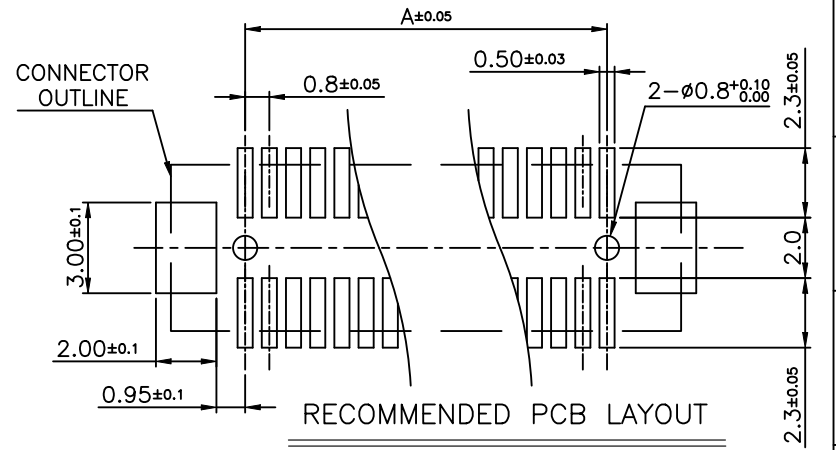
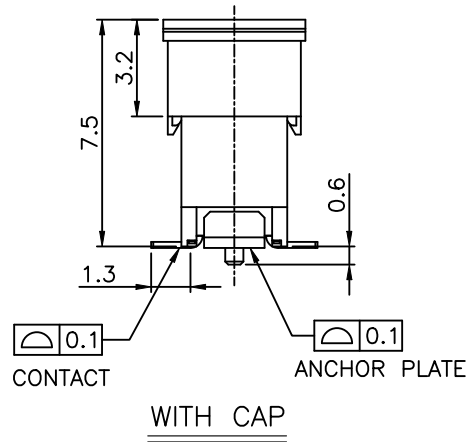
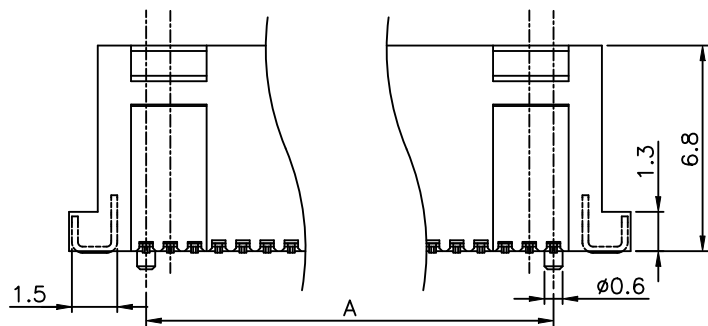
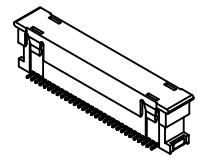


- Notes:
- Housing material: PA-9T (UL94V-0).
 - CAP material: PA-6T (UL94V-0).
 - Terminal material: phosphor bronze.
The overall 60u"~200u" Nickel Plated(lead-free).
Welding pin gold plated 2u"~8u" MIN.
contact point gold plated 4u" MIN. (Pb free).
 - Fitting nail material: brass.
The overall 50u"~100u" Nickel Plated(lead-free).
Plated with matte Tin(100%) 80u"~150u" (lead-free).
 - "▲" Important dimensions.
 - PART NO. Specifications: 123009-20XX50

No. OF POSITION	A	B	C	D	E
10	3.2	5	6.4	8.3	8.1
20	7.2	9	10.4	12.3	12.1
30	11.2	13	14.4	16.3	16.1
40	15.2	17	18.4	20.3	20.1
50	19.2	21	22.4	24.3	24.1
60	23.2	25	26.4	28.3	28.1
70	27.2	29	30.4	32.3	32.1
80	31.2	33	34.4	36.3	36.1
90	35.2	37	38.4	40.3	40.1
100	39.2	41	42.4	44.3	44.1

Number of positions



				UNLESS OTHERWISE SPECIFIED TOLERANCES ARE	客户图 Drawings	北极大电子科技有限公司 BEIJIDA ELECTRONICS TECHNOLOGY CO. LIMITED				
				X. ±0.20	APPROVED	DATE	COMPUTER NO			
				X.X ±0.10	陈天舒	2017-6-3	123009-20XX50			
				X.XXX	CHECKED	DATE	NAME			
				ANG. ±0'30'	陈天舒	2017-6-3	BTB0.8-6 SERIES Floating PLUG ASSY			
Revision of plating specification				Lu	2020-05-20	UNIT				
Release of drawing				Lu	2017-06-03	DRAWN	DATE	SIZE	SCALE	REV
SER	REVISIONS	CHK	DATE	MM	张运兴		2017-6-3	A4	4:1	B