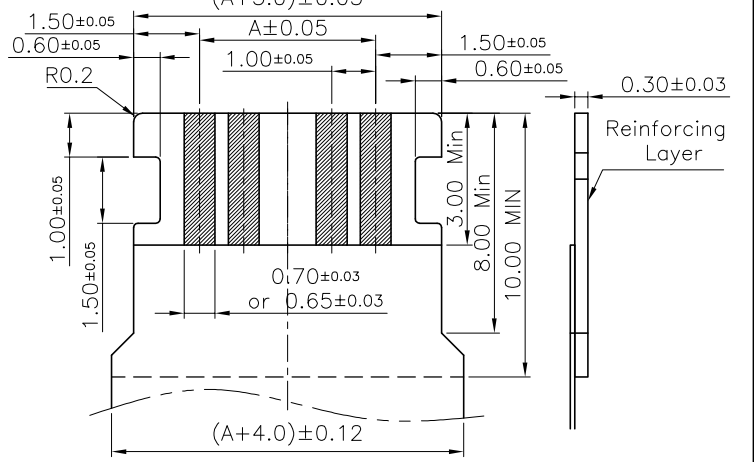
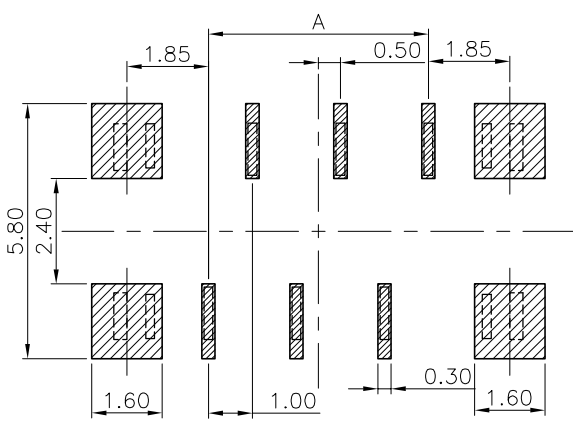
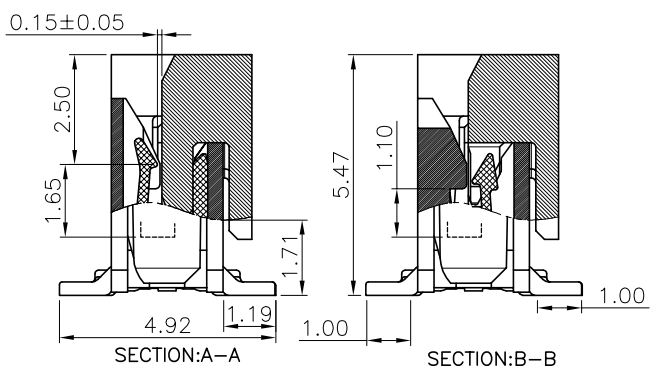
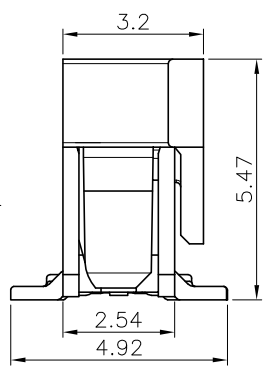


Notes: \triangle

- 1.Housing material: LCP (UL94V-0).
- 2.Actuator material: PA-9T (UL94V-0).
- 3.Terminal material: phosphor bronze.
The overall 50u"~100u" Nickel Plated (lead-free).
Welding pin and contact point gold plated 3u" min (Pb free).
- 4.Fitting nail material: brass.
The overall 50u"~100u" Nickel Plated (lead-free).
Plated with matte Tin(100%) 80u"~150u" (lead-free).
- 5."▼" Important dimensions.
- 6.PART NO. Specifications: 101089-20XX50

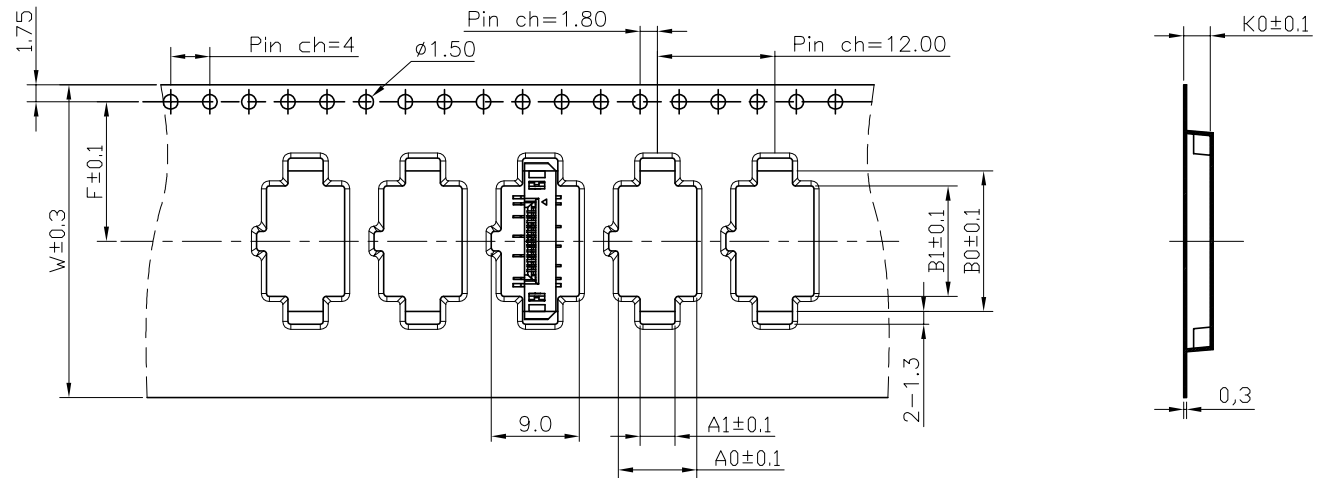
NO. OF Pin	DIM=A	DIM=B	DIM=C
4	3.00	14.00	5.05
5	4.00	15.00	6.05
6	5.00	16.00	7.05
7	6.00	17.00	8.05
8	7.00	18.00	9.05
9	8.00	19.00	10.05
10	9.00	20.00	11.05
11	10.00	21.00	12.05
12	11.00	22.00	13.05
13	12.00	23.00	14.05
14	13.00	24.00	15.05
15	14.00	25.00	16.05
16	15.00	26.00	17.05
17	16.00	27.00	18.05
18	17.00	28.00	19.05
19	18.00	29.00	20.05
20	19.00	30.00	21.05
21	20.00	31.00	22.05
22	21.00	32.00	23.05
23	22.00	33.00	24.05
24	23.00	34.00	25.05
25	24.00	35.00	26.05
26	25.00	36.00	27.05
27	26.00	37.00	28.05
28	27.00	38.00	29.05
29	28.00	39.00	30.05
30	29.00	40.00	31.05
31	30.00	41.00	32.05
32	31.00	42.00	33.05
33	32.00	43.00	34.05
34	33.00	44.00	35.05
35	34.00	45.00	36.05



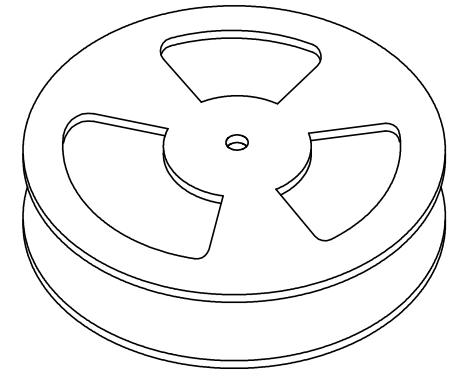
New drawings released		chen	2019-01-08	UNIT	
REVISIONS		CHK	DATE	MM	

UNLESS OTHERWISE SPECIFIED TOLERANCES ARE		客户图		北极大电子科技有限公司		
		Drawings		BEIJIDA ELECTRONICS TECHNOLOGY CO. LIMITED		
X.		APPROVED	DATE	COMPUTER NO		
X.X	±0.20	chentianshu	2019-01-08	101089-20XX50		
X.XX	±0.10	CHECKED	DATE	NAME		
X.XXX		chentianshu	2019-01-08	FPC1.0-10 Connector		
ANG.	±0°30'	DRAWN	DATE	SIZE	SCALE	REV
		chen	2019-01-08	A4	6:1	A

Pin数	A0	A1	B0	B1	K0	F	W	quantity per reel
4			12.50	9.50		10.25	24	
5			13.50	10.50		10.25	24	
6			14.50	11.50		10.25	24	
7			15.50	12.50		14.25	32	
8			16.50	13.50		14.25	32	
9			17.50	14.50		14.25	32	
10			18.50	15.50		20.25	44	
11			19.50	16.50		20.25	44	
12			20.50	17.50		20.25	44	
13			21.50	18.50		20.25	44	
14			22.50	19.50		20.25	44	
15			23.50	20.50		20.25	44	
16			24.50	21.50		20.25	44	
17			25.50	22.50		20.25	44	
18			26.50	23.50		20.25	44	
19	8.00	3.60	27.50	24.50	5.60	20.25	44	900PCS/volome
20			28.50	25.50		20.25	44	
21			29.50	26.50		20.25	44	
22			30.50	27.50		20.25	44	
23			31.50	28.50		26.25	56	
24			32.50	29.50		26.25	56	
25			33.50	30.50		26.25	56	
26			34.50	31.50		26.25	56	
27			35.50	32.50		26.25	56	
28			36.50	33.50		26.25	56	
29			37.50	34.50		26.25	56	
30			38.50	35.50		26.25	56	
31			39.50	36.50		26.25	56	
32			40.50	37.50		26.25	56	
33			41.50	38.50		26.25	56	
34			42.50	39.50		26.25	56	
35			43.50	40.50		26.25	56	



→ User Direction of Unreeling



PART NO. SPECIFICATION:101089-20XX50

Number of positions

REVISIONS						UNIT	MM	包装图		北极大电子科技有限公司		
SER						CHK	DATE	APPROVED	DATE	COMPUTER NO		
								chentisnshu	2019-01-08	101089-20XX50		
								CHECKED	DATE	NAME		
								chentisnshu	2019-01-08	FPC1.0-10 Connector		
								DRAWN	DATE	SIZE	SCALE	REV
								chen	2019-01-08	A4	4:3	A

UNLESS OTHERWISE SPECIFIED TOLERANCES ARE:
X. ±0.20
X.X ±0.10
X.XX ±0.05
X.XXX ±0.02
ANG. ±0°30'

