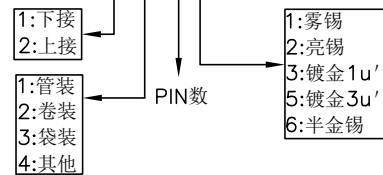


NO. of contacts (n)	Dimensions			
	A	B	C	D
4	9.50	7.90	2.57	1.50
5	10.00	8.40	3.07	2.00
6	10.50	8.90	3.57	2.50
7	11.00	9.40	4.07	3.00
8	11.50	9.90	4.57	3.50
9	12.00	10.40	5.07	4.00
10	12.50	10.90	5.57	4.50
11	13.00	11.40	6.07	5.00
12	13.50	11.90	6.57	5.50
13	14.00	12.40	7.07	6.00
14	14.50	12.90	7.57	6.50
15	15.00	13.40	8.07	7.00
16	15.50	13.90	8.57	7.50
17	16.00	14.40	9.07	8.00
18	16.50	14.90	9.57	8.50
19	17.00	15.40	10.07	9.00
20	17.50	15.90	10.57	9.50
21	18.00	16.40	11.07	10.00
22	18.50	16.90	11.57	10.50
23	19.00	17.40	12.07	11.00
24	19.50	17.90	12.57	11.50
25	20.00	18.40	13.07	12.00
26	20.50	18.90	13.57	12.50
27	21.00	19.40	14.07	13.00
28	21.50	19.90	14.57	13.50
29	22.00	20.40	15.07	14.00
30	22.50	20.90	15.57	14.50
31	23.00	21.40	16.07	15.00
32	23.50	21.90	16.57	15.50
33	24.00	22.40	17.07	16.00
34	24.50	22.90	17.57	16.50
35	25.00	23.40	18.07	17.00
36	25.50	23.90	18.57	17.50
37	26.00	24.40	19.07	18.00
38	26.50	24.90	19.57	18.50
39	27.00	25.40	20.07	19.00
40	27.50	25.90	20.57	19.50
41	28.00	26.40	21.07	20.00
42	28.50	26.90	21.57	20.50
43	29.00	27.40	22.07	21.00
44	29.50	27.90	22.57	21.50
45	30.00	28.40	23.07	22.00
46	30.50	28.90	23.57	22.50
47	31.00	29.40	24.07	23.00
48	31.50	29.90	24.57	23.50
49	32.00	30.40	25.07	24.00
50	32.50	30.90	25.57	24.50
51	33.00	31.40	26.07	25.00
52	33.50	31.90	26.57	25.50
53	34.00	32.40	27.07	26.00
54	34.50	32.90	27.57	26.50
55	35.00	33.40	28.07	27.00
56	35.50	33.90	28.57	27.50
57	36.00	34.40	29.07	28.00
58	36.50	34.90	29.57	28.50
59	37.00	35.40	30.07	29.00
60	37.50	36.10	30.57	29.50

- NOTES: \triangle
- HOUSING MATERIAL: PA-6T HEAT RESISTANT PLASTIC UL94 V-0.
ACTUATOR MATERIAL: PPS HEAT RESISTANT PLASTIC UL94 V-0.
 - TERMINAL MATERIAL: PHOSPHOR BRONZE C5191 .
2-1.PLATED WITH BRIGHT TIN(100%) 80u"~150u"
2-2.PLATED WITH MATTE TIN(100%) 80u"~150u"
2-3.PLATED WITH GOLD MORE THAN 1u.
 - FITTING NAIL MATERIAL: BRASS C2680
3-1.PLATED WITH BRIGHT TIN(100%) 80u"~150u"
3-2.PLATED WITH MATTE TIN(100%) 80u"~150u"
 - PARTS NO: 10100X-X0XXX0

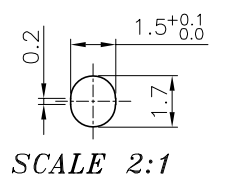
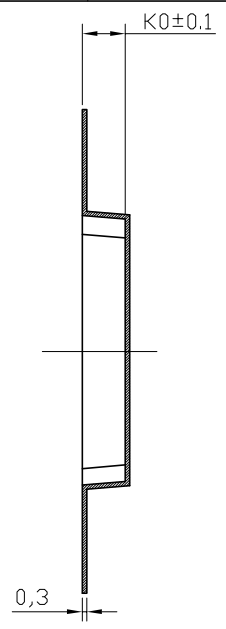
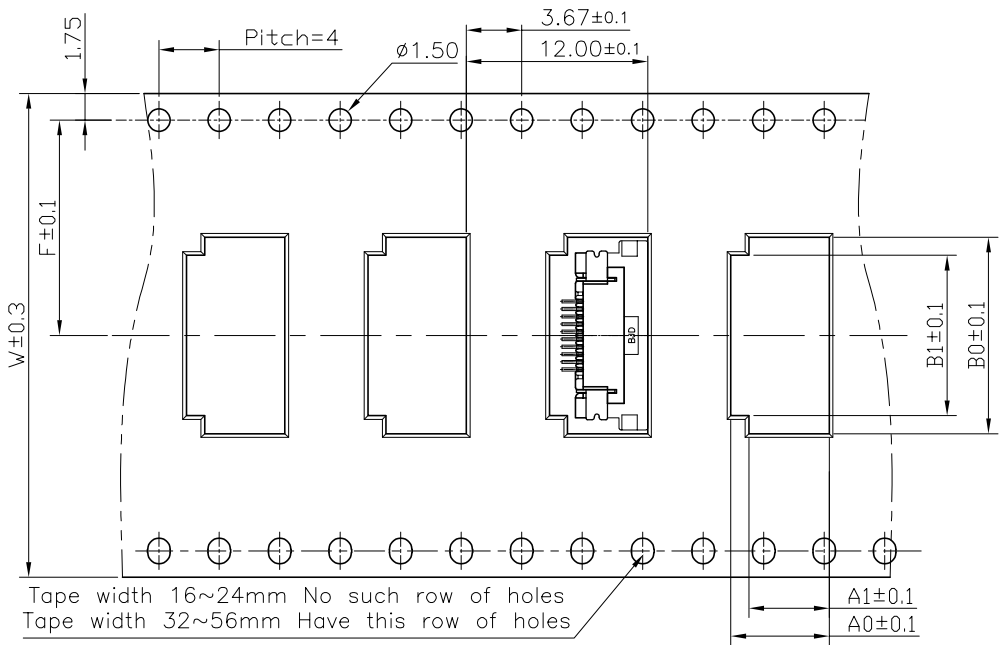


SER	REVISIONS	CHK	DATE

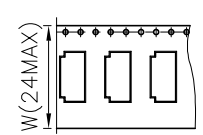
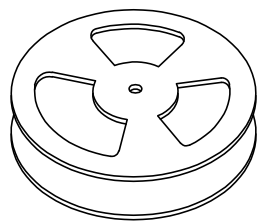
UNLESS OTHERWISE SPECIFIED TOLERANCES ARE	
X.	
X.X	±0.20
X.XX	±0.10
X.XXX	
ANG.	±0°30'

客户图 Drawings		北极大电子科技有限公司 BEIJIDA ELECTRONICS TECHNOLOGY CO. LIMITED		
APPROVED	DATE	COMPUTER NO		
陈天舒	2012-05-20	10100X-X0XXX0		
CHECKED	DATE	NAME		
陈天舒	2012-05-20	FPC0.5-1代H2.0拉拔式成品		
DRAWN	DATE	SIZE	SCALE	REV
张运兴	2012-05-20	A4	7:1	C

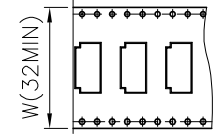
NO of Pin	A0	A1	B0	B1	K0	F	W	quantity per reel
4			10.00	7.60		10.25	24	
5			10.50	8.10		10.25	24	
6			11.00	8.60		10.25	24	
7			11.50	9.10		10.25	24	
8			12.00	9.60		10.25	24	
9			12.50	10.10		10.25	24	
10			13.00	10.60		10.25	24	
11			13.50	11.10		10.25	24	
12			14.00	11.60		10.25	24	
13			14.50	12.10		10.25	24	
14			15.00	12.60		10.25	24	
15			15.50	13.10		14.25	32	
16			16.00	13.60		14.25	32	
17			16.50	14.10		14.25	32	
18			17.00	14.60		14.25	32	
19			17.50	15.10		14.25	32	
20			18.00	15.60		14.25	32	
21			18.50	16.10		14.25	32	
22			19.00	16.60		14.25	32	
23			19.50	17.10		14.25	32	
24			20.00	17.60		14.25	32	
25			20.50	18.10		14.25	32	
26			21.00	18.60		14.25	32	
27			21.50	19.10		20.25	44	
28			22.00	19.60		20.25	44	
29			22.50	20.10		20.25	44	
30			23.00	20.60		20.25	44	
31			23.50	21.10		20.25	44	
32	6.50	5.30	24.00	21.60	2.60	20.25	44	2000PCS/volume
33			24.50	22.10		20.25	44	
34			25.00	22.60		20.25	44	
35			25.50	23.10		20.25	44	
36			26.00	23.60		20.25	44	
37			26.50	24.10		20.25	44	
38			27.00	24.60		20.25	44	
39			27.50	25.10		20.25	44	
40			28.00	25.60		20.25	44	
41			28.50	26.10		20.25	44	
42			29.00	26.60		20.25	44	
43			29.50	27.10		20.25	44	
44			30.00	27.60		20.25	44	
45			30.50	28.10		20.25	44	
46			31.00	28.60		20.25	44	
47			31.50	29.10		20.25	44	
48			32.00	29.60		20.25	44	
49			32.50	30.10		20.25	44	
50			33.00	30.60		20.25	44	
51			33.50	31.10		20.25	44	
52			34.00	31.60		26.25	56	
53			34.50	32.10		26.25	56	
54			35.00	32.60		26.25	56	
55			35.50	33.10		26.25	56	
56			36.00	33.60		26.25	56	
57			36.50	34.10		26.25	56	
58			37.00	34.60		26.25	56	
59			37.50	35.10		26.25	56	
60			38.00	35.60		26.25	56	



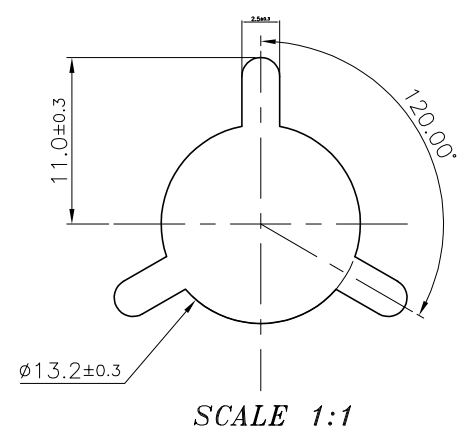
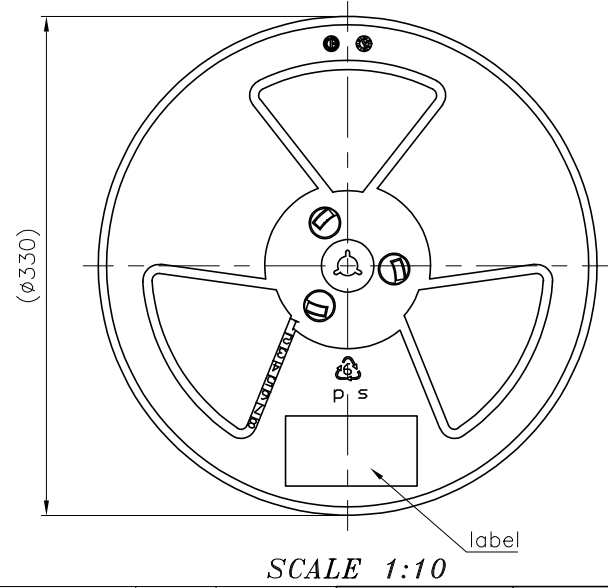
→ User Direction of Unreeling



Tape width:
Maximum of
24mm



Tape width:
Minimum of
32mm



PART NO. SPECIFICATION: 10100X-20XXX0

1:Bottom Contact
2:Upper Contact

Number of positions

1:Matte tin
2:Bright tin
3:Gold-plated 1u"
5:Gold-plated 3u"
6:Semi Gold Tin 1u"

SER	REVISIONS	CHK	DATE	UNIT	MM

UNLESS OTHERWISE SPECIFIED TOLERANCES ARE
X. ±0.20
X.X ±0.10
X.XX ±0.10
X.XXX ±0.10
ANG. ±0°30'

包装图 Packaging Figure		北极大电子科技有限公司 BEIJIDA ELECTRONICS TECHNOLOGY CO. LIMITED		
APPROVED	DATE	COMPUTER NO		
陈天舒	2011-10-11	10100X-20XXX0		
CHECKED	DATE	NAME		
陈天舒	2011-10-11	FPC0.5-1 Packaging Figure		
DRAWN	DATE	SIZE	SCALE	
陈	2011-10-11	A4	2:1	
		REV		
		A		