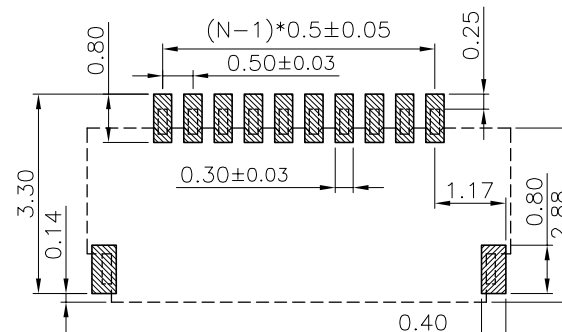
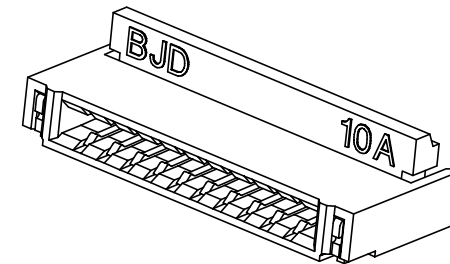
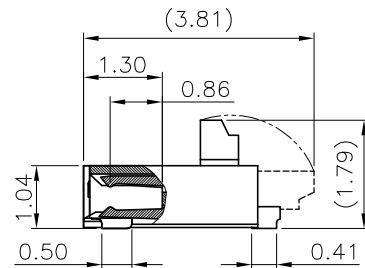
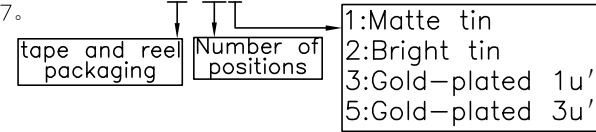


RECOMMENDED FFC/FPC DIMENSION



Notes:

- 1.Housing material: LCP (UL94V-0),Color:Nature color.
- 2.Actuator material: LCP (UL94V-0),Color:Black.
- 3.Terminal material: phosphor bronze.
- 4.Fitting nail material: phosphor bronze.
- 5.▲Key characteristic; Δimportant characteristic.
- 6.Recycled materials account for 20%
- 7.PART NO. Specifications: 101045-20XXX0-HF
- 8.CPK more than 1.67.



PCB LAYOUT

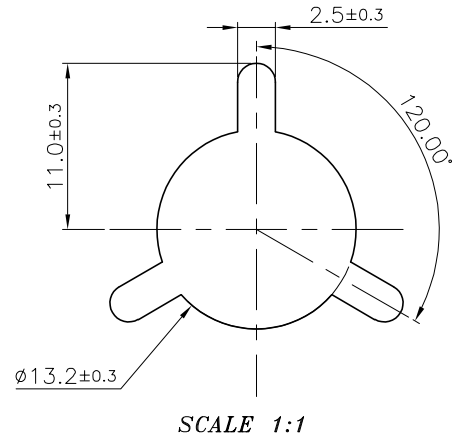
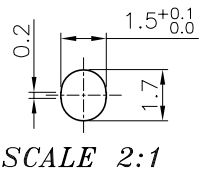
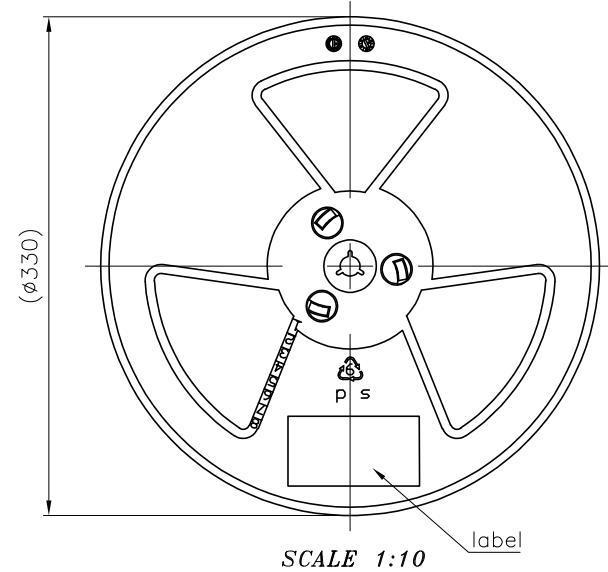
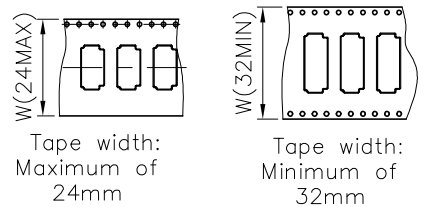
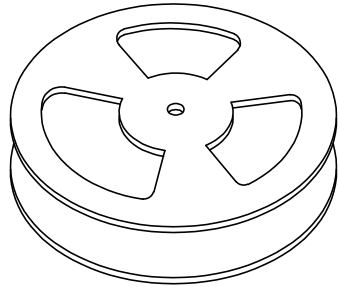
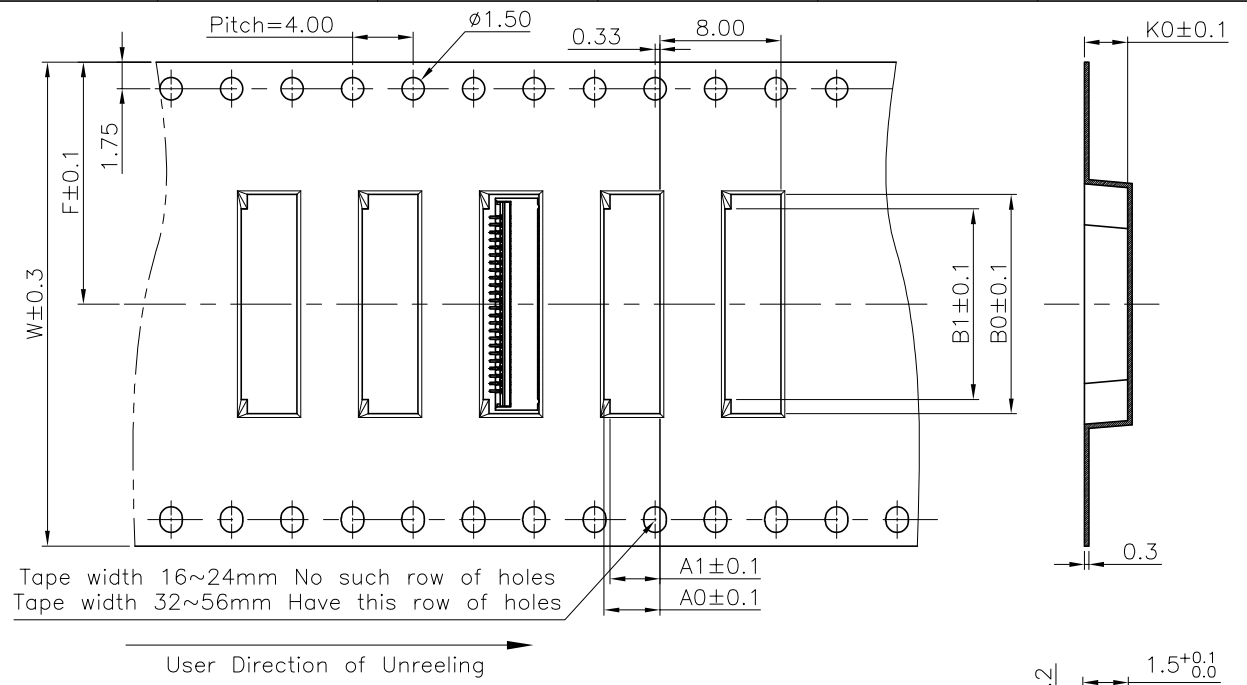
DIMENSION				
NO. OF PIN	A	B	C	D
4	4.00	1.50	2.55	3.37
6	5.00	2.50	3.55	4.37
8	6.00	3.50	4.55	5.37
10	7.00	4.50	5.55	6.37
12	8.00	5.50	6.55	7.37
14	9.00	6.50	7.55	8.37

SER	REVISIONS	CHK	DATE

UNLESS OTHERWISE SPECIFIED TOLERANCES ARE	
X.	
X.X	±0.20
X.XX	±0.10
X.XXX	
ANG.	±0'30'
UNIT	MM

客户图 Drawings		北极大电子科技有限公司 BEIJIDA ELECTRONICS TECHNOLOGY CO. LIMITED	
APPROVED	DATE	COMPUTER NO	
chentianshu	2014-08-27	101045-20XXX0-HF	
CHECKED	DATE	NAME	
chentianshu	2014-08-27	FPC0.5-16 Connector H1.0	
DRAWN	DATE	SIZE	SCALE
chen	2014-08-27	A4	8:1
		REV	
		A	

Number of positions	A0	A1	B0	B1	K0	F	W	The number of each volume
4			4.50	2.60		6.25	16	
5			5.00	3.10		6.25	16	
6			5.50	3.60		6.25	16	
7			6.00	4.10		6.25	16	
8			6.50	4.60		6.25	16	
9			7.00	5.10		6.25	16	
10			7.50	5.60		6.25	16	
11			8.00	6.10		6.25	16	
12			8.50	6.60		6.25	16	
13			9.00	7.10		10.25	24	
14			9.50	7.60		10.25	24	
15			10.00	8.10		10.25	24	
16			10.50	8.60		10.25	24	
17	3.70	3.30	11.00	9.10	2.00	10.25	24	4000PCS/volume
18			11.50	9.60		10.25	24	
19			12.00	10.10		10.25	24	
20			12.50	10.60		10.25	24	
21			13.00	11.10		10.25	24	
22			13.50	11.60		10.25	24	
23			14.00	12.10		10.25	24	
24			14.50	12.60		10.25	24	
25			15.00	13.10		10.25	24	
26			15.50	13.60		10.25	24	
27			16.00	14.10		10.25	24	
28			16.50	14.60		10.25	24	
29			17.00	15.10		14.25	32	
30			17.50	15.60		14.25	32	



PART NO. SPECIFICATION: 101045-20XXX0-HF

- Number of positions
- 1:Matte tin
  - 2:Bright tin
  - 3:Gold-plated 1u"
  - 5:Gold-plated 3u"
  - 6:Semi Gold Tin 1u"

				UNLESS OTHERWISE SPECIFIED TOLERANCES ARE		包装图		北极大电子科技有限公司		
				X.		Packaging Figure		BEIJIDA ELECTRONICS TECHNOLOGY CO. LIMITED		
				X.X ±0.20		APPROVED		DATE		COMPUTER NO
				X.XX ±0.10		陈天舒		2014-08-27		101045-20XXX0-HF
				X.XXX		CHECKED		DATE		NAME
				ANG. ±0'30'		陈天舒		2014-08-27		FPC0.5-16 Connector Packaging Figure
				UNIT		DRAWN		DATE		SIZE
				MM		陈		2014-08-27		SCALE
				SER						REV
				REVISIONS						A
				CHK						
				DATE						