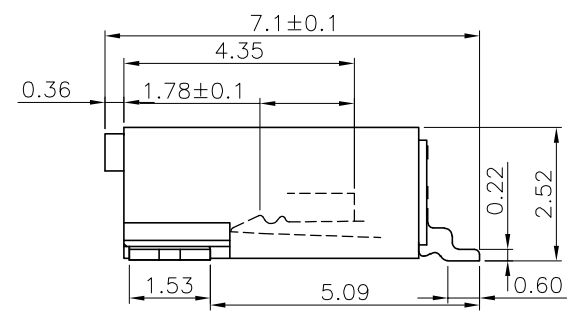
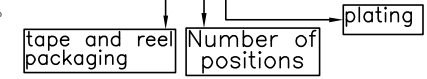
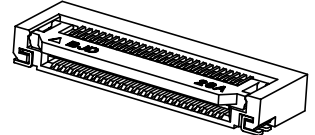


RECOMMENDED FFC/FPC DIMENSION

- Notes:
- Housing material: LCP GF 30%(UL94V-0),Color:Nature color.
 - Actuator material: PA-9T GF 30%(UL94V-0),Color:Black.
 - Terminal material: phosphor bronze.
The overall 1.25um~2.5um Nickel Plated.
contact and solder area gold plated 0.075um min.
 - Fitting nail material: phosphor bronze.
The overall 1.25um~2.5um Nickel Plated.
Plated with matte Tin(100%) 2um~3.75um.
 - ▲ "Key characteristic; " Δ important characteristic.
 - Recycled materials account for 20%
 - PART NO. Specifications: 101093-20XX50-HF
 - CPK moer than 1.67.



NO. OF PIN	DIMENSION			
	A	B	C	D
40	19.50	25.30	22.83	20.55
41	20.00	25.80	23.33	21.05
42	20.50	26.30	23.83	21.55
43	21.00	26.80	24.33	22.05
44	21.50	27.30	24.83	22.55
45	22.00	27.80	25.33	23.05
46	22.50	28.30	25.83	23.55
47	23.00	28.80	26.33	24.05
48	23.50	29.30	26.83	24.55
49	24.00	29.80	27.33	25.05
50	24.50	30.30	27.83	25.55
51	25.00	30.80	28.33	26.05
52	25.50	31.30	28.83	26.55
53	26.00	31.80	29.33	27.05
54	26.50	32.30	29.83	27.55
55	27.00	32.80	30.33	28.05
56	27.50	33.30	30.83	28.55
57	28.00	33.80	31.33	29.05
58	28.50	34.30	31.83	29.55
59	29.00	34.80	32.33	30.05
60	29.50	35.30	32.83	30.55
61	30.00	35.80	33.33	31.05
62	30.50	36.30	33.83	31.55
63	31.00	36.80	34.33	32.05
64	31.50	37.30	34.83	32.55
65	32.00	37.80	35.33	33.05
66	32.50	38.30	35.83	33.55
67	33.00	38.80	36.33	34.05
68	33.50	39.30	36.83	34.55
69	34.00	39.80	37.33	35.05
70	34.50	40.30	37.83	35.55
71	35.00	40.80	38.33	36.05
72	35.50	41.30	38.83	36.55
73	36.00	41.80	39.33	37.05
74	36.50	42.30	39.83	37.55
75	37.00	42.80	40.33	38.05
76	37.50	43.30	40.83	38.55
77	38.00	43.80	41.33	39.05
78	38.50	44.30	41.83	39.55
79	39.00	44.80	42.33	40.05
80	39.50	45.30	42.83	40.55
81	40.00	45.80	43.33	41.05
82	40.50	46.30	43.83	41.55
83	41.00	46.80	44.33	42.05
84	41.50	47.30	44.83	42.55
85	42.00	47.80	45.33	43.05
86	42.50	48.30	45.83	43.55
87	43.00	48.80	46.33	44.05
88	43.50	49.30	46.83	44.55
89	44.00	49.80	47.33	45.05
90	44.50	50.30	47.83	45.55

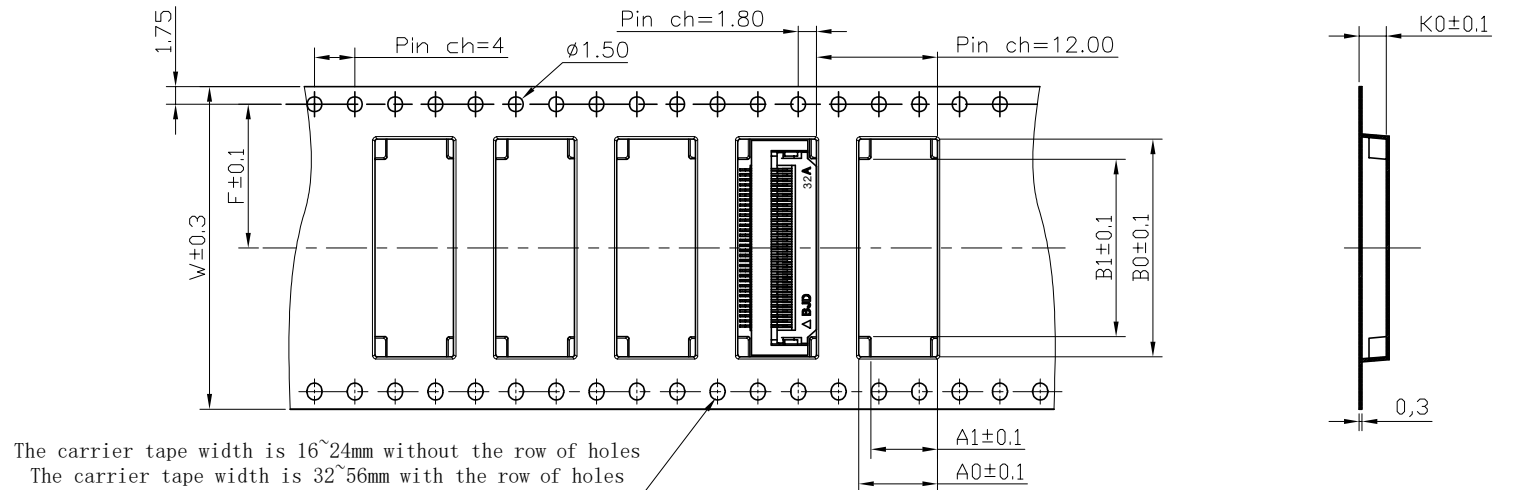


SER	REVISIONS	CHK	DATE

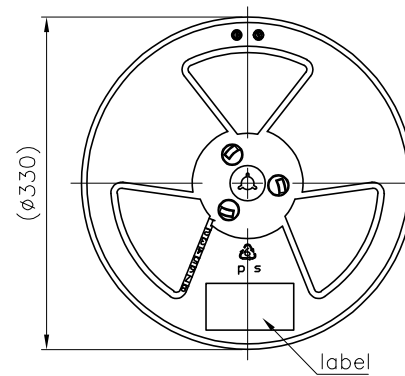
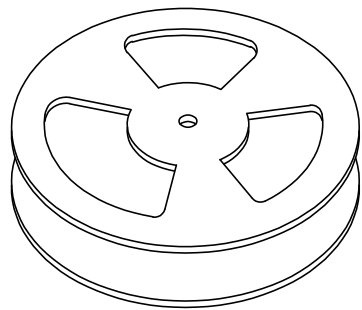
UNLESS OTHERWISE SPECIFIED TOLERANCES ARE	
X.	
X.X	±0.20
X.XX	±0.10
X.XXX	
ANG.	±0°30'
UNIT	MM

客户图 Drawings		北极大电子科技有限公司 BEIJIDA ELECTRONICS TECHNOLOGY CO. LIMITED	
APPROVED	DATE	COMPUTER NO	
陈天舒	2020-05-13	101093-20XX50-HF	
CHECKED	DATE	NAME	
陈天舒	2020-05-13	FPC0.5-18P代H2.5掀盖式A type(无卤)	
DRAWN	DATE	SIZE	SCALE
陈	2020-05-13	A4	7:1
			REV
			A

Pin数	A0	A1	B0	B1	K0	F	W	卷数量
4			7.60	3.60		6.25	16	
5			8.10	4.10		6.25	16	
6			8.60	4.60		10.25	24	
7			9.10	5.10		10.25	24	
8			9.60	5.60		10.25	24	
9			10.10	6.10		10.25	24	
10			10.60	6.60		10.25	24	
11			11.10	7.10		10.25	24	
12			11.60	7.60		10.25	24	
13			12.10	8.10		10.25	24	
14			12.60	8.60		10.25	24	
15			13.10	9.10		10.25	24	
16			13.60	9.60		10.25	24	
17			14.10	10.10		14.25	32	
18			14.60	10.60		10.25	24	
19			15.10	11.10		10.25	24	
20			15.60	11.60		14.25	32	
21			16.10	12.10		14.25	32	
22			16.60	12.60		14.25	32	
23			17.10	13.10		14.25	32	
24			17.60	13.60		14.25	32	
25			18.10	14.10		20.25	44	
26			18.60	14.60		20.25	44	
27			19.10	15.10		20.25	44	
28			19.60	15.60		20.25	44	
29			20.10	16.10		20.25	44	
30			20.60	16.60		20.25	44	
31			21.10	17.10		20.25	44	
32			21.60	17.60		20.25	44	
33			22.10	18.10		20.25	44	
34			22.60	18.60		20.25	44	
35			23.10	19.10		20.25	44	
36			23.60	19.60		20.25	44	2000PCS
37			24.10	20.10		20.25	44	/Volume
38			24.60	20.60		20.25	44	
39			25.10	21.10		20.25	44	
40			25.60	21.60		20.25	44	
41			26.10	22.10		20.25	44	
42	7.80	6.60	26.60	22.60	2.70	20.25	44	
43			27.10	23.10		20.25	44	
44			27.60	23.60		20.25	44	
45			28.10	24.10		20.25	44	
46			28.60	24.60		20.25	44	
47			29.10	25.10		20.25	44	
48			29.60	25.60		20.25	44	
49			30.10	26.10		20.25	44	
50			30.60	26.60		20.25	44	
51			31.10	27.10		26.25	56	
52			31.60	27.60		26.25	56	
53			32.10	28.10		26.25	56	
54			32.60	28.60		26.25	56	
55			33.10	29.10		26.25	56	
56			33.60	29.60		26.25	56	
57			34.10	30.10		26.25	56	
58			34.60	30.60		26.25	56	
59			35.10	31.10		26.25	56	
60			35.60	31.60		26.25	56	
61			36.10	32.10		26.25	56	
62			36.60	32.60		26.25	56	
63			37.10	33.10		26.25	56	
64			37.60	33.60		26.25	56	
65			38.10	34.10		26.25	56	
66			38.60	34.60		26.25	56	
67			39.10	35.10		26.25	56	
68			39.60	35.60		26.25	56	
69			40.10	36.10		26.25	56	
70			40.60	36.60		26.25	56	
71			41.10	37.10		26.25	56	
72			41.60	37.60		34.25	72	
73			42.10	38.10		34.25	72	
74			42.60	38.60		34.25	72	
75			43.10	39.10		34.25	72	1500PCS
76			43.60	39.60		34.25	72	/Volume
77			44.10	40.10		34.25	72	
78			44.60	40.60		34.25	72	
79			45.10	41.10		34.25	72	
80			45.60	41.60		34.25	72	



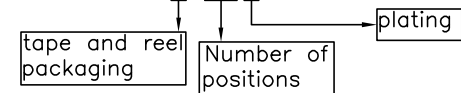
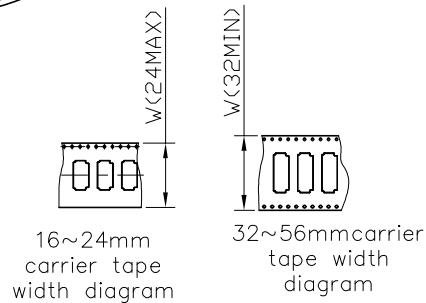
User Direction of Unreeling



SCALE 1:10

SCALE 1:1

PART NO. SPECIFICATION: 101093-20XX50-HF



					UNLESS OTHERWISE SPECIFIED TOLERANCES ARE
					X.
					X.X ±0.20
					X.XX ±0.10
					X.XXX
					ANG. ±0°30'
△	Change the number of packages between 70Pin and 80Pin	CHEN TS	2023-07-04	UNIT	
SER	REVISIONS	CHK	DATE	MM	

					包装图	北极大电子科技有限公司			
					Packaging Figure	BEIJIDA ELECTRONICS TECHNOLOGY CO. LIMITED			
					APPROVED	DATE	COMPUTER NO		
					陈天舒	2020-05-13	101093-20XX50-HF		
					CHECKED	DATE	NAME		
					陈天舒	2020-05-13	FPC0.5-18P代H2.5掀盖式A type(无边卷装图)		
					DRAWN	DATE	SIZE	SCALE	REV
					陈	2020-05-13	A4	3:4	B