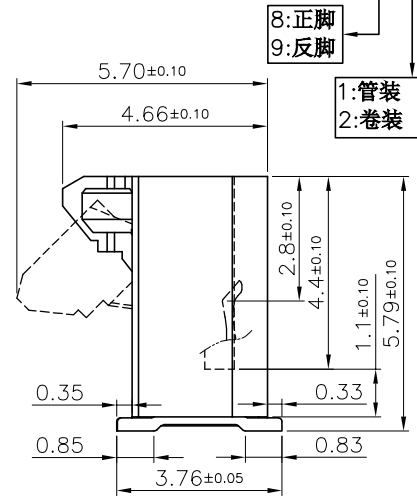
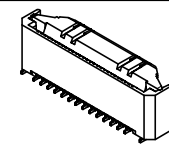


NOTES:

- MATERIAL:  
HOUSING:THERMOPLASTIC(UL94V-0)  
ACTUATOR:THERMOPLASTIC(UL94V-0)  
TERMINAL:PHOSPHOR BRONZE MATTE TIN PLATED  
FITTING NAIL:BRASS MATTE TIN PLATED
- "IMPORTANT DIMENSION"
- PART NO. SPECIFICATION:10105X-X0XXX0-HF

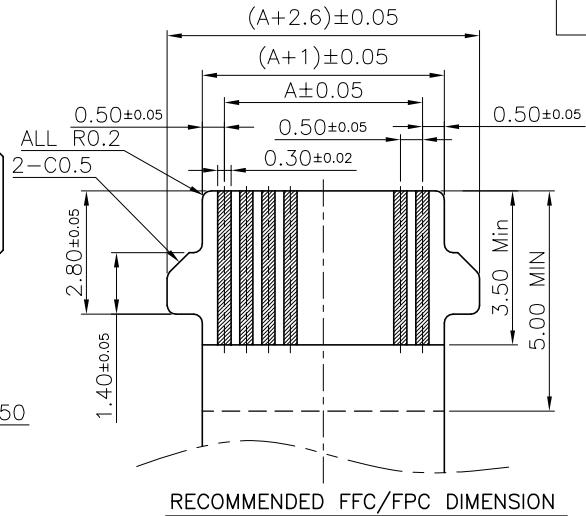
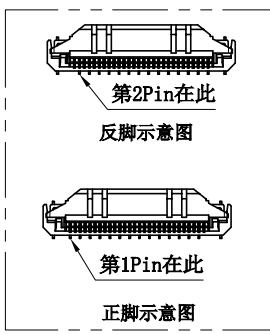


8:正脚  
9:反脚

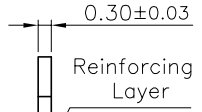
1:管装  
2:卷装

PIN 数

- 雾锡
- 亮锡
- 镀金1u'
- 镀金2u'
- 镀金3u'
- 半金锡1u'
- 半金锡3u'



RECOMMENDED FFC/FPC DIMENSION

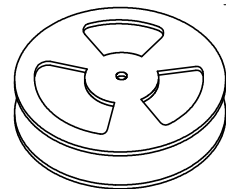
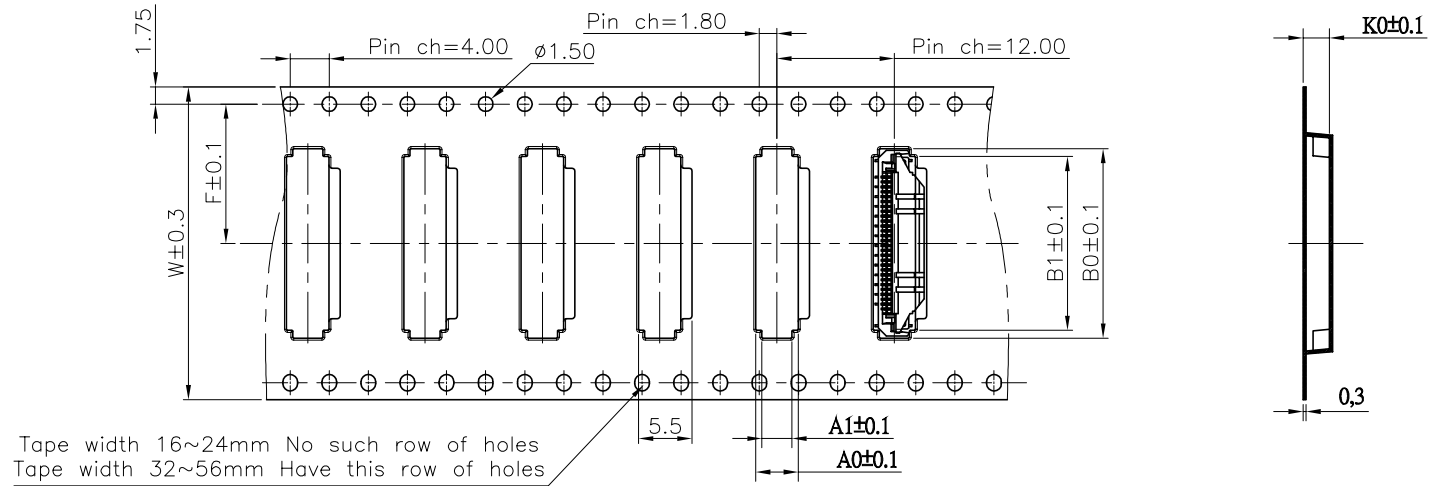


NO. OF Pin	DIM=A	DIM=B	DIM=C	DIM=D
10	4.50	10.00	5.50	7.90
11	5.00	10.50	6.00	8.40
12	5.50	11.00	6.50	8.90
13	6.00	11.50	7.00	9.40
14	6.50	12.00	7.50	9.90
15	7.00	12.50	8.00	10.40
16	7.50	13.00	8.50	10.90
17	8.00	13.50	9.00	11.40
18	8.50	14.00	9.50	11.90
19	9.00	14.50	10.00	12.40
20	9.50	15.00	10.50	12.90
21	10.00	15.50	11.00	13.40
22	10.50	16.00	11.50	13.90
23	11.00	16.50	12.00	14.40
24	11.50	17.00	12.50	14.90
25	12.00	17.50	13.00	15.40
26	12.50	18.00	13.50	15.90
27	13.00	18.50	14.00	16.40
28	13.50	19.00	14.50	16.90
29	14.00	19.50	15.00	17.40
30	14.50	20.00	15.50	17.90
31	15.00	20.50	16.00	18.40
32	15.50	21.00	16.50	18.90
33	16.00	21.50	17.00	19.40
34	16.50	22.00	17.50	19.90
35	17.00	22.50	18.00	20.40
36	17.50	23.00	18.50	20.90
37	18.00	23.50	19.00	21.40
38	18.50	24.00	19.50	21.90
39	19.00	24.50	20.00	22.40
40	19.50	25.00	20.50	22.90
41	20.00	25.50	21.00	23.40
42	20.50	26.00	21.50	23.90
43	21.00	26.50	22.00	24.40
44	21.50	27.00	22.50	24.90
45	22.00	27.50	23.00	25.40
46	22.50	28.00	23.50	25.90
47	23.00	28.50	24.00	26.40
48	23.50	29.00	24.50	26.90
49	24.00	29.50	25.00	27.40
50	24.50	30.00	25.50	27.90
51	25.00	30.50	26.00	28.40
52	25.50	31.00	26.50	28.90
53	26.00	31.50	27.00	29.40
54	26.50	32.00	27.50	29.90
55	27.00	32.50	28.00	30.40
56	27.50	33.00	28.50	30.90
57	28.00	33.50	29.00	31.40
58	28.50	34.00	29.50	31.90
59	29.00	34.50	30.00	32.40
60	29.50	35.00	30.50	32.90
64	31.50	37.00	32.50	34.90
70	34.50	40.00	35.50	37.90

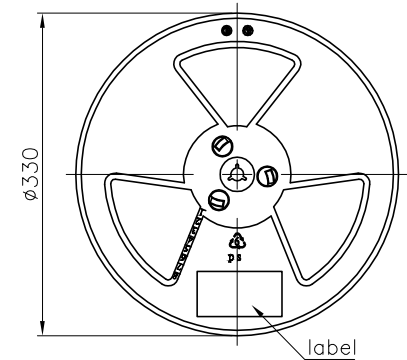
UNLESS OTHERWISE SPECIFIED TOLERANCES ARE			
X.	±0.20		
X.X	±0.10		
X.XX			
X.XXX			
ANG.	±0°30'		
SER	REVISIONS	CHK	DATE

客户图 Drawings		北极大电子科技有限公司 BEIJIDA ELECTRONICS TECHNOLOGY CO. LIMITED		
APPROVED	DATE	COMPUTER NO	10105X-X0XXX0-HF	
CHECKED	DATE	NAME	FPC0.5-21A代掀盖式立贴 A type	
张天舒	2015-12-19			
DRAWN	DATE	SIZE	SCALE	REV
张运兴	2015-12-19	A4	6:1	A

Pin数	A0	A1	B0	B1	K0	F	W	卷数量
4			7.40	5.80		10.25	24	
5			7.90	6.30		10.25	24	
6			8.40	6.80		10.25	24	
7			8.90	7.30		10.25	24	
8			9.40	7.80		10.25	24	
9			9.90	8.30		10.25	24	
10			10.40	8.80		10.25	24	
11			10.90	9.30		10.25	24	
12			11.40	9.80		10.25	24	
13			11.90	10.30		10.25	24	
14			12.40	10.80		10.25	24	
15			12.90	11.30		10.25	24	
16			13.40	11.80		10.25	24	
17			13.90	12.30		14.25	32	
18			14.40	12.80		14.25	32	
19			14.90	13.30		14.25	32	
20			15.40	13.80		14.25	32	
21			15.90	14.30		14.25	32	
22			16.40	14.80		14.25	32	
23			16.90	15.30		14.25	32	
24			17.40	15.80		14.25	32	
25			17.90	16.30		14.25	32	
26			18.40	16.80		14.25	32	
27			18.90	17.30		14.25	32	
28			19.40	17.80		14.25	32	
29			19.90	18.30		14.25	32	
30			20.40	18.80		14.25	32	
31			20.90	19.30		20.25	44	
32			21.40	19.80		20.25	44	
33			21.90	20.30		20.25	44	
34			22.40	20.80		20.25	44	
35			22.90	21.30		20.25	44	
36			23.40	21.80		20.25	44	
37	4.35	3.10	23.90	22.30	6.30	20.25	44	1000PCS/卷
38			24.40	22.80		20.25	44	
39			24.90	23.30		20.25	44	
40			25.40	23.80		20.25	44	
41			25.90	24.30		20.25	44	
42			26.40	24.80		20.25	44	
43			26.90	25.30		20.25	44	
44			27.40	25.80		20.25	44	
45			27.90	26.30		20.25	44	
46			28.40	26.80		20.25	44	
47			28.90	27.30		20.25	44	
48			29.40	27.80		20.25	44	
49			29.90	28.30		20.25	44	
50			30.40	28.80		20.25	44	
51			30.90	29.30		20.25	44	
52			31.40	29.80		26.25	56	
53			31.90	30.30		26.25	56	
54			32.40	30.80		26.25	56	
55			32.90	31.30		26.25	56	
56			33.40	31.80		26.25	56	
57			33.90	32.30		26.25	56	
58			34.40	32.80		26.25	56	
59			34.90	33.30		26.25	56	
60			35.40	33.80		26.25	56	
61			35.90	34.30		26.25	56	
62			36.40	34.80		26.25	56	
63			36.90	35.30		26.25	56	
64			37.40	35.80		26.25	56	
65			37.90	36.30		26.25	56	
66			38.40	36.80		26.25	56	
67			38.90	37.30		26.25	56	
68			39.40	37.80		26.25	56	
69			39.90	38.30		26.25	56	
70			40.40	38.80		26.25	56	



User Direction of Unreeling

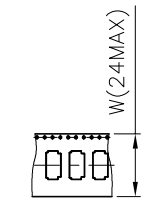


SCALE 1:10

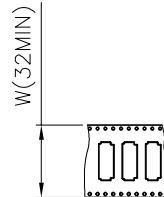
PART NO. SPECIFICATION: 10105X-X0XXX0

- 8:正脚
- 9:反脚
- 1:管装
- 2:卷装
- 3:袋装
- 4:其他
- 1:雾锡
- 2:亮锡
- 3:镀金1u'
- 5:镀金3u'
- 6:半金锡

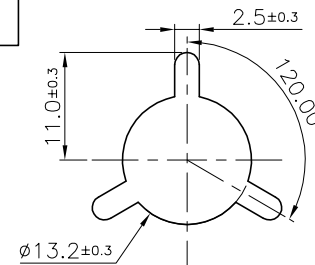
PIN数



Tape width:  
Maximum of  
24mm



Tape width:  
Minimum of  
32mm



SCALE 1:1



SER	REVISIONS	CHK	DATE	UNIT
	修改错误尺寸	陈天舒	2018-05-14	MM

UNLESS OTHERWISE SPECIFIED TOLERANCES ARE	
X.	±0.30
X.X	±0.20
X.XX	±0.10
X.XXX	±0.03
ANG.	±0°30'

包装图 Packaging Figure		北极大电子科技有限公司 BEIJIDA ELECTRONICS TECHNOLOGY CO. LIMITED		
APPROVED	DATE	COMPUTER NO	10105X-X0XXX0-HF	
CHECKED	DATE	NAME	FPC0.5-21A代掀盖式立贴 A type	
陈天舒	2015-12-19	张运兴	SIZE	SCALE
DRAWN	DATE	张运兴	A4	1:1
	2015-12-19			REV
				B