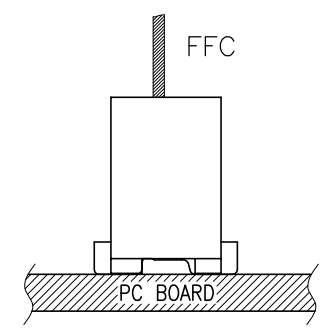
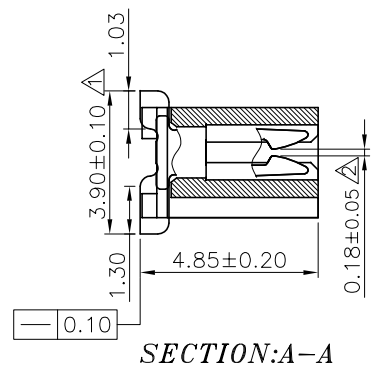
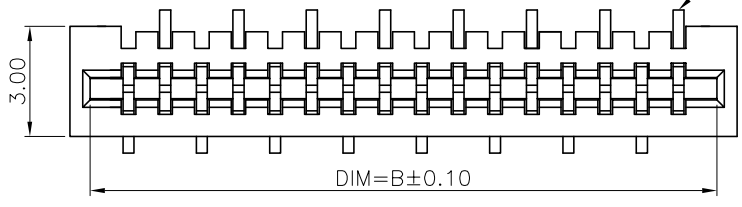
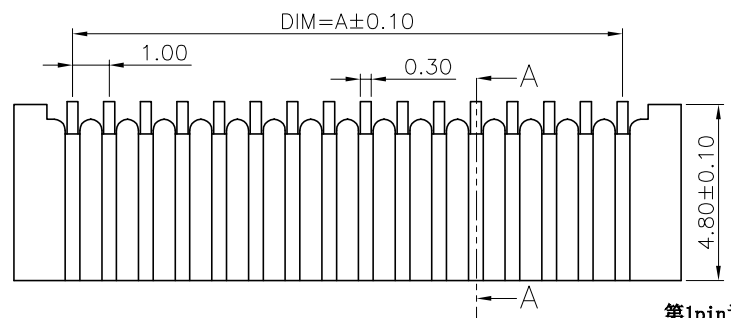
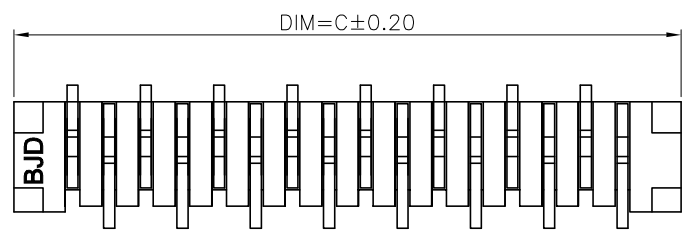
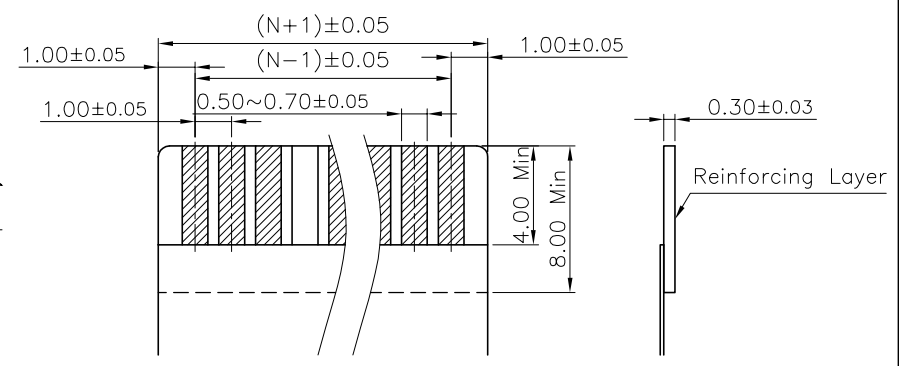


No. of contacts	DIMENSIONS		
	DIM=A	DIM=B	DIM=C
3	2.00	4.10	5.20
4	3.00	5.10	6.20
5	4.00	6.10	7.20
6	5.00	7.10	8.20
7	6.00	8.10	9.20
8	7.00	9.10	10.20
9	8.00	10.10	11.20
10	9.00	11.10	12.20
11	10.00	12.10	13.20
12	11.00	13.10	14.20
13	12.00	14.10	15.20
14	13.00	15.10	16.20
15	14.00	16.10	17.20
16	15.00	17.10	18.20
17	16.00	18.10	19.20
18	17.00	19.10	20.20
19	18.00	20.10	21.20
20	19.00	21.10	22.20
21	20.00	22.10	23.20
22	21.00	23.10	24.20
23	22.00	24.10	25.20
24	23.00	25.10	26.20
25	24.00	26.10	27.20
26	25.00	27.10	28.20
27	26.00	28.10	29.20
28	27.00	29.10	30.20
29	28.00	30.10	31.20
30	29.00	31.10	32.20
31	30.00	32.10	33.20
32	31.00	33.10	34.20
33	32.00	34.10	35.20
34	33.00	35.10	36.20
35	34.00	36.10	37.20
36	35.00	37.10	38.20
37	36.00	38.10	39.20
38	37.00	39.10	40.20
39	38.00	40.10	41.20
40	39.00	41.10	42.20

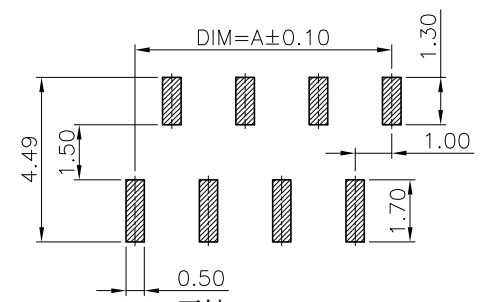


SECTION:A-A

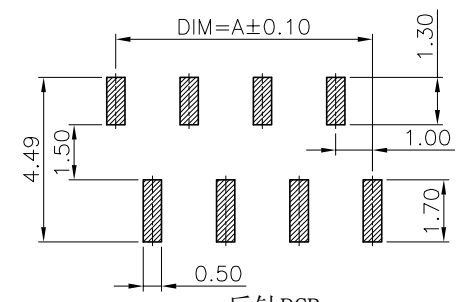
ASSEMBLY LAYOUT  
安装图



RECOMMENDED FFC/FPC DIMENSION



正针PCB  
Positive needle PCB LAYOUT



反针PCB  
Versa needle PCB LAYOUT

NOTES:  
 1. HOUSING MATERIAL: HEAT RESISTANT PLASTIC UL94 V-0.  
 ACTUATOR MATERIAL: HEAT RESISTANT PLASTIC UL94 V-0.  
 2. TERMINAL MATERIAL: PHOSPHOR BRONZE.  
 2-1. PLATED WITH BRIGHT TIN(100%) 80u"~150u"  
 2-2. PLATED WITH MATTE TIN(100%) 80u"~150u"  
 2-3. PLATED WITH GOLD MORE THAN 1u.  
 3. PARTS NO: 11000X-XOXXXO

01:正脚本色	1:雾锡
02:反脚本色	2:亮锡
03:正脚黑色	3:镀金1u'
04:反脚黑色	5:镀金3u'
	6:半金锡

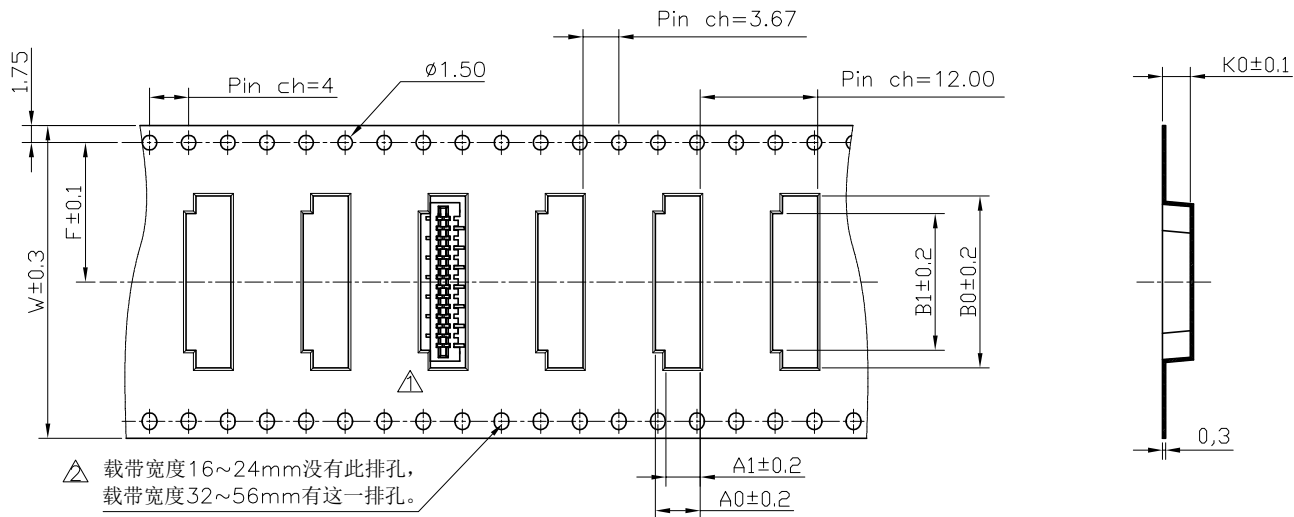
PIN数

1:管装
2:卷装
3:袋装
4:其他

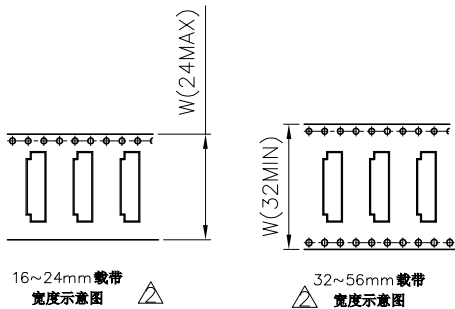
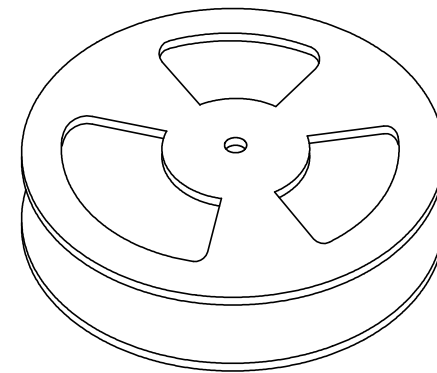
				UNLESS OTHERWISE SPECIFIED TOLERANCES ARE		客户图		北极大电子科技有限公司		
				X. ±0.1		Drawings		BEIJIDA ELECTRONICS TECHNOLOGY CO. LIMITED		
				X.XX ±0.05		APPROVED		DATE		COMPUTER NO
				X.XXX ±0.03		CHECKED		DATE		11000X-XOXXXO
				ANG. ±0°30'		陈天舒		2012-05-24		NAME
				UNIT		DRAWN		DATE		FPC1.0-3代H3.0双面接触立贴
				MM		张运兴		2012-05-24		SIZE
SER REVISIONS				CHK DATE				A4		SCALE
								5:1		REV
										C

4		10.60	7.00	10.25	24
5		11.60	8.00	10.25	24
6		12.60	9.00	10.25	24
7		13.60	10.00	10.25	24
8		14.60	11.00	10.25	24
9		15.60	12.00	10.25	24
10		16.60	13.00	10.25	24
11		17.60	14.00	14.25	32
12		18.60	15.00	14.25	32
13		19.60	16.00	20.25	44
14		20.60	17.00	20.25	44
15		21.60	18.00	20.25	44
16		22.60	19.00	20.25	44
17		23.60	20.00	20.25	44
18		24.60	21.00	20.25	44
19	4.50	25.60	22.00	20.25	44
20	3.50	26.60	23.00	20.25	44
21		27.60	24.00	20.25	44
22		28.60	25.00	20.25	44
23		29.60	26.00	20.25	44
24		30.60	27.00	20.25	44
25		31.60	28.00	20.25	44
26		32.60	29.00	26.25	56
27		33.60	30.00	26.25	56
28		34.60	31.00	26.25	56
29		35.60	32.00	26.25	56
30		36.60	33.00	26.25	56
31		37.60	34.00	26.25	56
32		38.60	35.00	26.25	56
33		39.60	36.00	26.25	56
34		40.60	37.00	26.25	56

1000PCS /卷



User Direction of Unreeling →



PARTS NO: 11000X-20XXX0

- 01:正脚本色
- 02:反脚本色
- 03:正脚黑色
- 04:反脚黑色

PIN数

- 1:雾锡
- 2:亮锡
- 3:镀金1u'
- 5:镀金3u'
- 6:半金锡

				UNLESS OTHERWISE SPECIFIED TOLERANCES ARE	<b>包装图</b>		<b>北极大电子科技有限公司</b>		
				X. ±0.30	<b>Package Figure</b>		<b>BEIJIDA ELECTRONICS TECHNOLOGY CO. LIMITED</b>		
				X.X ±0.20	APPROVED	DATE	COMPUTER NO		
				X.XX ±0.10	陈天舒	2014-06-05	11000X-20XXX0		
				X.XXX ±0.03	CHECKED	DATE	NAME		
				ANG. ±0°30'	陈天舒	2014-06-05	FPC1.0-3代H3.0立贴卷装图		
					DRAWN	DATE	SIZE	SCALE	REV
SER	REVISIONS	CHK	DATE	MM	陈	2014-06-05	A4	3:4	A