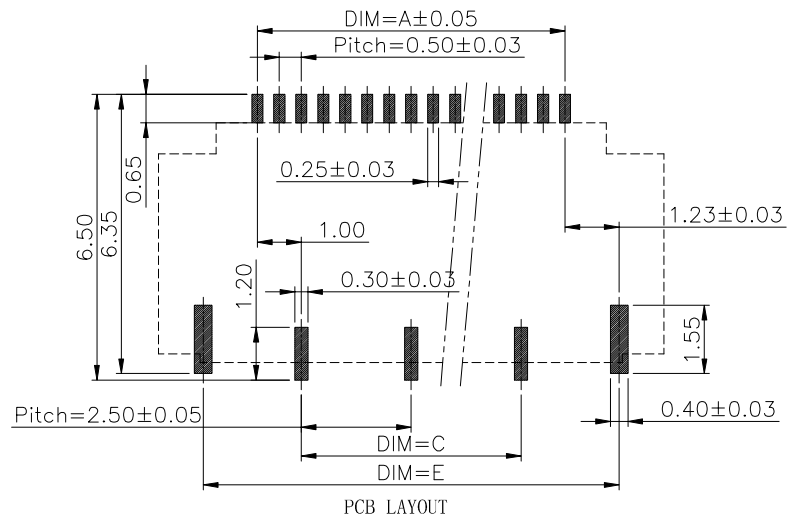
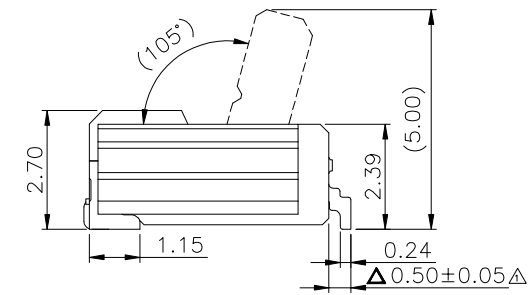
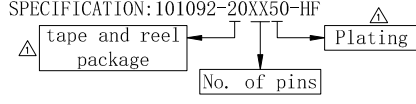


RECOMMENDED FFC/FPC DIMENSION



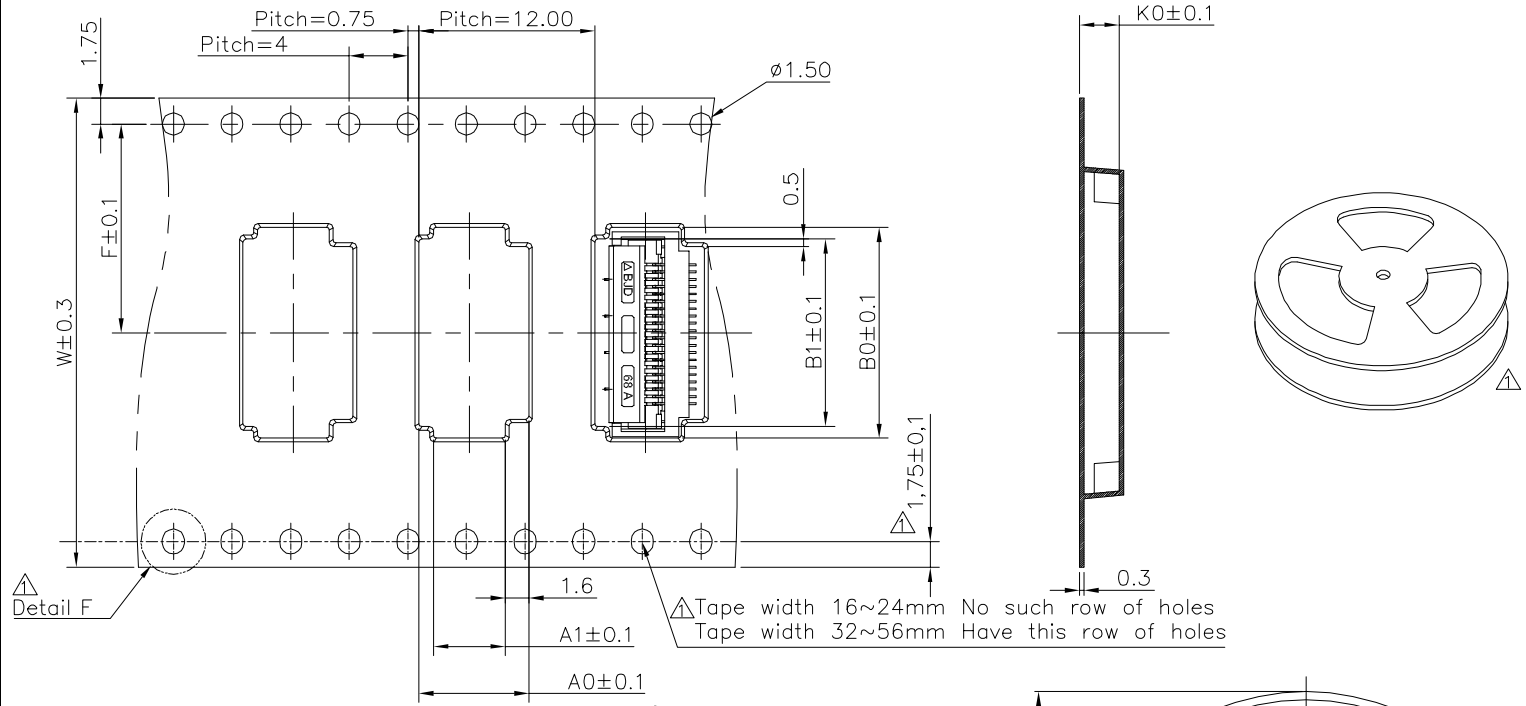
NOTES:
 1. MATERIAL:
 HOUSING/ACTUATOR:LCP BLACK (UL94V-0)
 CONTACT:PHOSPHOR BRONZE MATTE TIN/Au PLATED
 ANCHOR:BRASS MATTE TIN PLATED
 2. "▲"CRITICAL CHARACTERISTIC DIMENSION,
 "△"IMPORTANT CHARACTERISTIC DIMENSION.
 3.PART NO. SPECIFICATION:101092-20XX50-HF



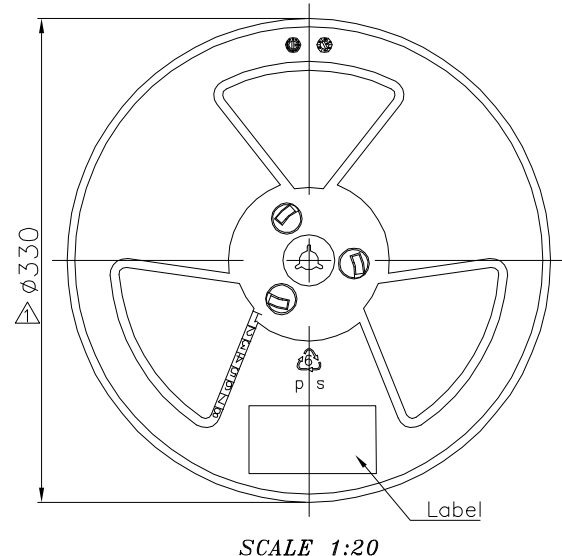
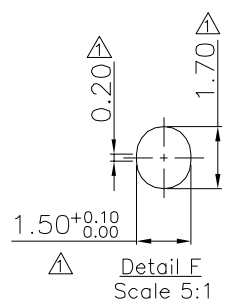
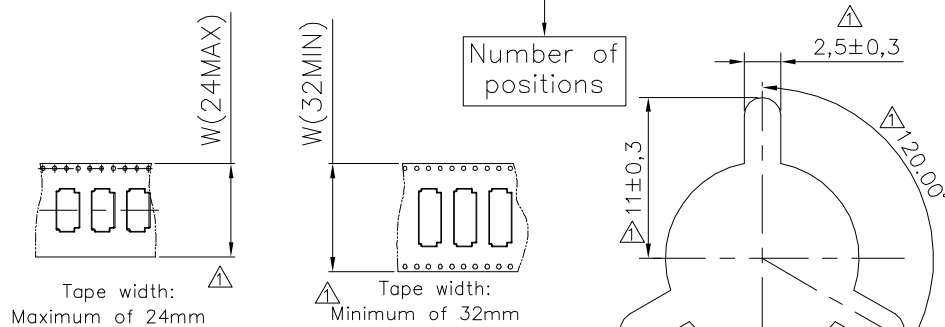
Pin数	DIM=A	DIM=B	DIM=C	DIM=D	DIM=E	DIM-C Quantity
4	1.50	2.50	0.00	6.00	3.96	1
5	2.00	3.00	0.00	6.50	4.46	1
6	2.50	3.50	0.00	7.00	4.96	1
7	3.00	4.00	0.00	7.50	5.46	1
8	3.50	4.50	0.00	8.00	5.96	1
9	4.00	5.00	0.00	8.50	6.46	1
10	4.50	5.50	2.50	9.00	6.96	2
11	5.00	6.00	2.50	9.50	7.46	2
12	5.50	6.50	2.50	10.00	7.96	2
13	6.00	7.00	2.50	10.50	8.46	2
14	6.50	7.50	2.50	11.00	8.96	2
15	7.00	8.00	5.00	11.50	9.46	3
16	7.50	8.50	5.00	12.00	9.96	3
17	8.00	9.00	5.00	12.50	10.46	3
18	8.50	9.50	5.00	13.00	10.96	3
19	9.00	10.00	5.00	13.50	11.46	3
20	9.50	10.50	7.50	14.00	11.96	4
21	10.00	11.00	7.50	14.50	12.46	4
22	10.50	11.50	7.50	15.00	12.96	4
23	11.00	12.00	7.50	15.50	13.46	4
24	11.50	12.50	7.50	16.00	13.96	4
25	12.00	13.00	10.00	16.50	14.46	5
26	12.50	13.50	10.00	17.00	14.96	5
27	13.00	14.00	10.00	17.50	15.46	5
28	13.50	14.50	10.00	18.00	15.96	5
29	14.00	15.00	10.00	18.50	16.46	5
30	14.50	15.50	12.50	19.00	16.96	6
31	15.00	16.00	12.50	19.50	17.46	6
32	15.50	16.50	12.50	20.00	17.96	6
33	16.00	17.00	12.50	20.50	18.46	6
34	16.50	17.50	12.50	21.00	18.96	6
35	17.00	18.00	15.00	21.50	19.46	7
36	17.50	18.50	15.00	22.00	19.96	7
37	18.00	19.00	15.00	22.50	20.46	7
38	18.50	19.50	15.00	23.00	20.96	7
39	19.00	20.00	15.00	23.50	21.46	7
40	19.50	20.50	17.50	24.00	21.96	8
41	20.00	21.00	17.50	24.50	22.46	8
42	20.50	21.50	17.50	25.00	22.96	8
43	21.00	22.00	17.50	25.50	23.46	8
44	21.50	22.50	17.50	26.00	23.96	8
45	22.00	23.00	20.00	26.50	24.46	9
46	22.50	23.50	20.00	27.00	24.96	9
47	23.00	24.00	20.00	27.50	25.46	9
48	23.50	24.50	20.00	28.00	25.96	9
49	24.00	25.00	20.00	28.50	26.46	9
50	24.50	25.50	22.50	29.00	26.96	10
51	25.00	26.00	22.50	29.50	27.46	10
52	25.50	26.50	22.50	30.00	27.96	10
53	26.00	27.00	22.50	30.50	28.46	10
54	26.50	27.50	22.50	31.00	28.96	10
55	27.00	28.00	25.00	31.50	29.46	11
56	27.50	28.50	25.00	32.00	29.96	11
57	28.00	29.00	25.00	32.50	30.46	11
58	28.50	29.50	25.00	33.00	30.96	11
59	29.00	30.00	25.00	33.50	31.46	11
60	29.50	30.50	27.50	34.00	31.96	12
61	30.00	31.00	27.50	34.50	32.46	12
62	30.50	31.50	27.50	35.00	32.96	12
63	31.00	32.00	27.50	35.50	33.46	12
64	31.50	32.50	27.50	36.00	33.96	12
65	32.00	33.00	30.00	36.50	34.46	13
66	32.50	33.50	30.00	37.00	34.96	13
67	33.00	34.00	30.00	37.50	35.46	13
68	33.50	34.50	30.00	38.00	35.96	13
69	34.00	35.00	30.00	38.50	36.46	13
70	34.50	35.50	32.50	39.00	36.96	14

				UNLESS OTHERWISE SPECIFIED TOLERANCES ARE		客户图 Drawings		北极大电子科技有限公司 BEIJIDA ELECTRONICS TECHNOLOGY CO. LIMITED		
				X.		APPROVED	DATE	COMPUTER NO		
				X.X	±0.20	Tianshu Chen	2019-12-15	101092-20XX50-HF		
				X.XX	±0.10	CHECKED	DATE	NAME		
				X.XXX		Loren Lu	2019-12-15	FPC0.5-22B代 H2.7掀盖式带接地		
				ANG.	±0°30'	DRAWN	DATE	SIZE	SCALE	REV
						Loren Lu	2019-12-15	A4	6:1	B
SER	REVISIONS	CHK	DATE	UNIT						

Pin数	A0	A1	B0	B1	K0	F	W	卷数
4			6.40	4.80		10.25	24	
5			6.90	5.30		10.25	24	
6			7.40	5.80		10.25	24	
7			7.90	6.30		10.25	24	
8			8.40	6.80		10.25	24	
9			8.90	7.30		10.25	24	
10			9.40	7.80		10.25	24	
11			9.90	8.30		10.25	24	
12			10.40	8.80		14.25	32	
13			10.90	9.30		14.25	32	
14			11.40	9.80		14.25	32	
15			11.90	10.30		14.25	32	
16			12.40	10.80		14.25	32	
17			12.90	11.30		14.25	32	
18			13.40	11.80		14.25	32	
19			13.90	12.30		14.25	32	
20			14.40	12.80		14.25	32	
21			14.90	13.30		14.25	32	
22			15.40	13.80		14.25	32	
23			15.90	14.30		14.25	32	
24			16.40	14.80		14.25	32	
25			16.90	15.30		14.25	32	
26			17.40	15.80		14.25	32	
27			17.90	16.30		14.25	32	
28			18.40	16.80		14.25	32	
29			18.90	17.30		20.25	44	
30			19.40	17.80		20.25	44	
31			19.90	18.30		20.25	44	
32			20.40	18.80		20.25	44	
33			20.90	19.30		20.25	44	
34			21.40	19.80		20.25	44	
35			21.90	20.30		20.25	44	
36			22.40	20.80		20.25	44	
37	7.50	4.90	22.90	21.30	2.80	20.25	44	1500PCS/卷
38			23.40	21.80		20.25	44	
39			23.90	22.30		20.25	44	
40			24.40	22.80		20.25	44	
41			24.90	23.30		20.25	44	
42			25.40	23.80		20.25	44	
43			25.90	24.30		20.25	44	
44			26.40	24.80		20.25	44	
45			26.90	25.30		20.25	44	
46			27.40	25.80		20.25	44	
47			27.90	26.30		20.25	44	
48			28.40	26.80		20.25	44	
49			28.90	27.30		20.25	44	
50			29.40	27.80		20.25	44	
51			29.90	28.30		20.25	44	
52			30.40	28.80		26.25	56	
53			30.90	29.30		26.25	56	
54			31.40	29.80		26.25	56	
55			31.90	30.30		26.25	56	
56			32.40	30.80		26.25	56	
57			32.90	31.30		26.25	56	
58			33.40	31.80		26.25	56	
59			33.90	32.30		26.25	56	
60			34.40	32.80		26.25	56	
61			34.90	33.30		26.25	56	
62			35.40	33.80		26.25	56	
63			35.90	34.30		26.25	56	
64			36.40	34.80		26.25	56	
65			36.90	35.30		26.25	56	
66			37.40	35.80		26.25	56	
67			37.90	36.30		26.25	56	
68			38.40	36.80		26.25	56	
69			38.90	37.30		26.25	56	
70			39.40	37.80		26.25	56	



User Direction of Unreeling
 PART NO. SPECIFICATION: 101092-20XX50-HF



				UNLESS OTHERWISE SPECIFIED TOLERANCES ARE		包装图		北极大电子科技有限公司		
				X. ±0.30		Packaging Figure		BEIJTDA ELECTRONICS TECHNOLOGY CO. LIMITED		
				X.X ±0.20		APPROVED		DATE		COMPUTER NO
				X.XX ±0.10		Tianshu Chen		2019-11-15		101092-20XX50-HF
				X.XXX ±0.03		CHECKED		DATE		NAME
				ANG. ±0'30"		Loren Lu		2019-11-15		FPC0.5-22B代 H2.7 掀盖式带接地
DRAWN		DATE		SIZE		SCALE		REV		
Loren Lu		2019-11-15		A4		2:1		B		
SER	REVISIONS	CHK	DATE	UNIT						
				MM						