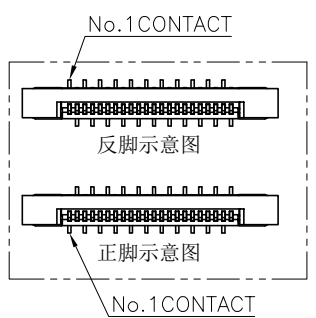
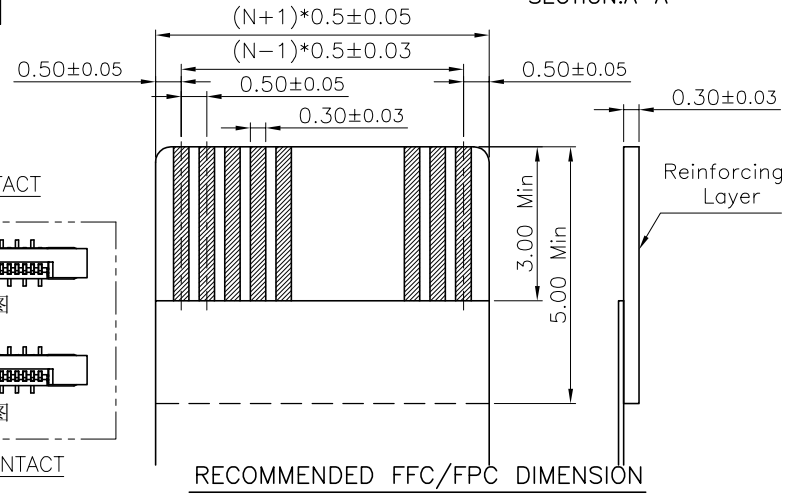
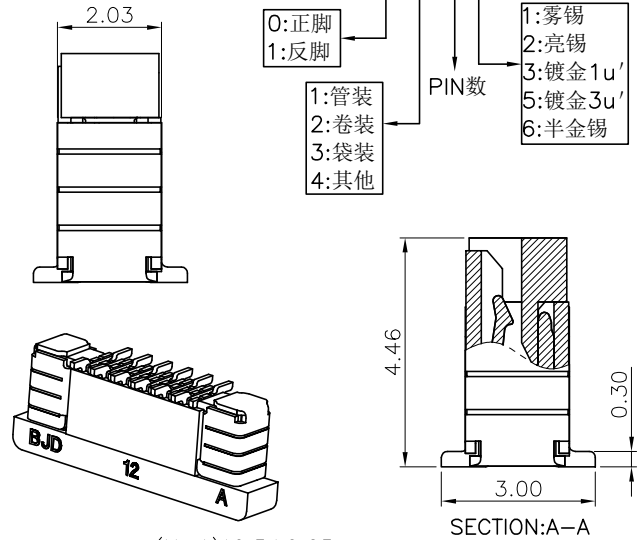


NOTES:  
 1.MATERIAL:  
 HOUSING:THERMOPLASTIC(UL94V-0)  
 ACTUATOR:THERMOPLASTIC(UL94V-0)  
 TERMINAL:PHOSPHOR BRONZE MATTE TIN PLATED  
 FITTING NAIL:BRASS MATTE TIN PLATED  
 2."▼"IMPORTANT DIMENSION  
 3.PART NO. SPECIFICATION:10105X-X0XXX0-HF



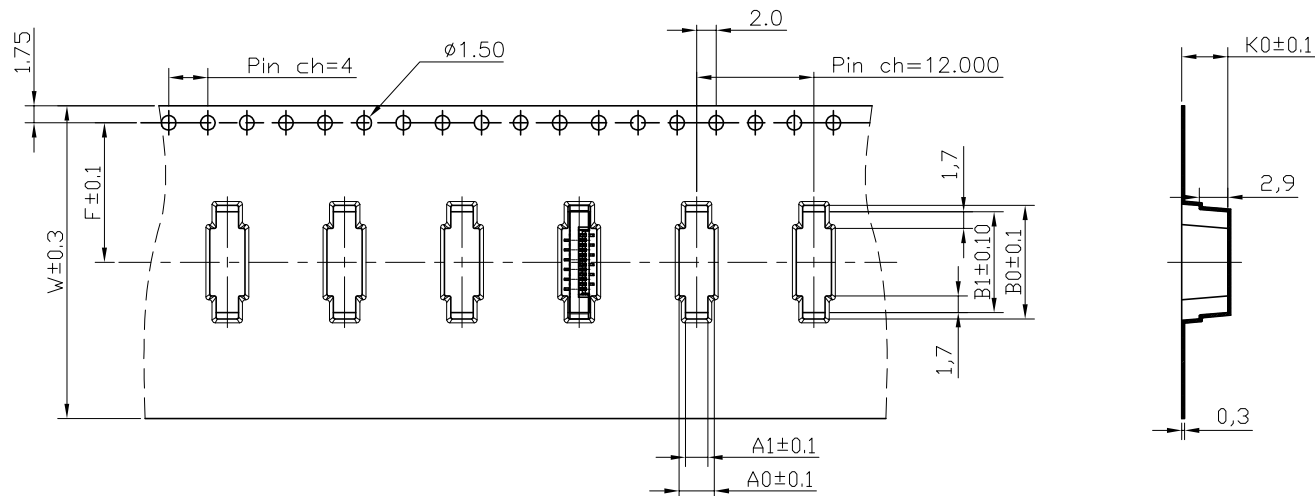
NO. OF PIN	DIMENSION			
	A	B	C	D
4	7.60	2.55	6.50	1.50
5	8.10	3.05	7.00	2.00
6	8.60	3.55	7.50	2.50
7	9.10	4.05	8.00	3.00
8	9.60	4.55	8.50	3.50
9	10.10	5.05	9.00	4.00
10	10.60	5.55	9.50	4.50
11	11.10	6.05	10.00	5.00
12	11.60	6.55	10.50	5.50
13	12.10	7.05	11.00	6.00
14	12.60	7.55	11.50	6.50
15	13.10	8.05	12.00	7.00
16	13.60	8.55	12.50	7.50
17	14.10	9.05	13.00	8.00
18	14.60	9.55	13.50	8.50
19	15.10	10.05	14.00	9.00
20	15.60	10.55	14.50	9.50
21	16.10	11.05	15.00	10.00
22	16.60	11.55	15.50	10.50
23	17.10	12.05	16.00	11.00
24	17.60	12.55	16.50	11.50
25	18.10	13.05	17.00	12.00
26	18.60	13.55	17.50	12.50
27	19.10	14.05	18.00	13.00
28	19.60	14.55	18.50	13.50
29	20.10	15.05	19.00	14.00
30	20.60	15.55	19.50	14.50
31	21.10	16.05	20.00	15.00
32	21.60	16.55	20.50	15.50
33	22.10	17.05	21.00	16.00
34	22.60	17.55	21.50	16.50
35	23.10	18.05	22.00	17.00
36	23.60	18.55	22.50	17.50
37	24.10	19.05	23.00	18.00
38	24.60	19.55	23.50	18.50
39	25.10	20.05	24.00	19.00
40	25.60	20.55	24.50	19.50
41	26.10	21.05	25.00	20.00
42	26.60	21.55	25.50	20.50
43	27.10	22.05	26.00	21.00
44	27.60	22.55	26.50	21.50
45	28.10	23.05	27.00	22.00
46	28.60	23.55	27.50	22.50
47	29.10	24.05	28.00	23.00
48	29.60	24.55	28.50	23.50
49	30.10	25.05	29.00	24.00
50	30.60	25.55	29.50	24.50

UNLESS OTHERWISE SPECIFIED TOLERANCES ARE			
X.			±0.20
X.X			±0.10
X.XX			±0.05
X.XXX			±0.02
ANG.			±0°30'
增加无卤标识	张运兴	2015-12-07	UNIT
REVISIONS	CHK	DATE	MM

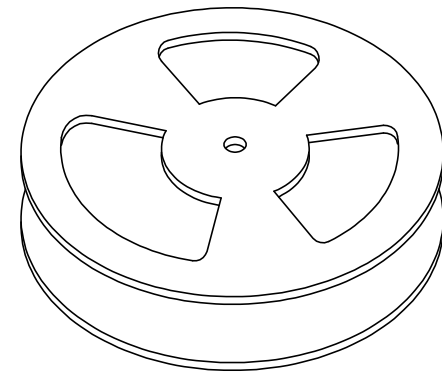
客户图 Drawings		北极大电子科技有限公司 BEIJIDA ELECTRONICS TECHNOLOGY CO. LIMITED		
APPROVED	DATE	COMPUTER NO		
陈天舒	2014-12-02	10105X-X0XXX0-HF		
CHECKED	DATE	NAME		
张运兴	2014-12-02	FPC0.5-19代拉拔式立贴成品		
DRAWN	DATE	SIZE	SCALE	REV
张运兴	2014-12-02	A4	7:1	B



Pin数	A0	A1	B0	B1	K0	F	W	卷数量
4			7.60	6.30		6.25	16	
5			8.10	6.80		10.25	24	
6			8.60	7.30		10.25	24	
7			9.10	7.80		10.25	24	
8			9.60	8.30		10.25	24	
9			10.10	8.80		10.25	24	
10			10.60	9.30		10.25	24	
11			11.10	9.80		10.25	24	
12			11.60	10.30		10.25	24	
13			12.10	10.80		10.25	24	
14			12.60	11.30		10.25	24	
15			13.10	11.80		10.25	24	
16			13.60	12.30		10.25	24	
17			14.10	12.80		10.25	24	
18			14.60	13.30		10.25	24	
19			15.10	13.80		10.25	24	
20			15.60	14.30		14.25	32	
21			16.10	14.80		14.25	32	
22			16.60	15.30		14.25	32	
23			17.10	15.80		14.25	32	
24			17.60	16.30		14.25	32	
25			18.10	16.80		14.25	32	
26			18.60	17.30		14.25	32	
27			19.10	17.80		14.25	32	
28			19.60	18.30		14.25	32	
29			20.10	18.80		14.25	32	
30			20.60	19.30		14.25	32	
31	3.60	2.30	21.10	19.80	4.70	14.25	32	1000PCS
32			21.60	20.30		14.25	32	/卷
33			22.10	20.80		14.25	32	
34			22.60	21.30		14.25	32	
35			23.10	21.80		20.25	44	
36			23.60	22.30		20.25	44	
37			24.10	22.80		20.25	44	
38			24.60	23.30		20.25	44	
39			25.10	23.80		20.25	44	
40			25.60	24.30		20.25	44	
41			26.10	24.80		20.25	44	
42			26.60	25.30		20.25	44	
43			27.10	25.80		20.25	44	
44			27.60	26.30		20.25	44	
45			28.10	26.80		20.25	44	
46			28.60	27.30		20.25	44	
47			29.10	27.80		20.25	44	
48			29.60	28.30		20.25	44	
49			30.10	28.80		20.25	44	
50			30.60	29.30		20.25	44	
51			31.10	29.80		20.25	44	
52			31.60	30.30		20.25	44	
53			32.10	30.80		20.25	44	
54			32.60	31.30		20.25	44	
55			33.10	31.80		20.25	44	
56			33.60	32.30		20.25	44	
57			34.10	32.80		20.25	44	
58			34.60	33.30		26.25	56	
59			35.10	33.80		26.25	56	
60			35.60	34.30		26.25	56	



→ User Direction of Unreeling



PART NO. SPECIFICATION: 10105X-20XXX0

- |      |         |
|------|---------|
| 0:正脚 | 1:雾锡    |
| 1:反脚 | 2:亮锡    |
|      | 3:镀金1u' |
|      | 5:镀金3u' |
|      | 6:半金锡   |
- PIN数
- |      |
|------|
| 1:管装 |
| 2:卷装 |
| 3:袋装 |
| 4:其他 |

				UNLESS OTHERWISE SPECIFIED TOLERANCES ARE		包装图		北极大电子科技有限公司		
				X. ±0.1		Packaging Figure		BEIJIDA ELECTRONICS TECHNOLOGY CO. LIMITED		
				X.XX ±0.05		APPROVED		DATE		COMPUTER NO
				X.XXX		CHECKED		DATE		10105X-20XXX0
				ANG. ±0°30'		陈天舒		2013-11-12		NAME
						张运兴		2013-11-12		FPC0.5-19代H2.0拉拔式立贴卷装图
SER	REVISIONS	CHK	DATE	UNIT	MM	DRAWN	DATE	SIZE	SCALE	REV
								A4	3:4	A