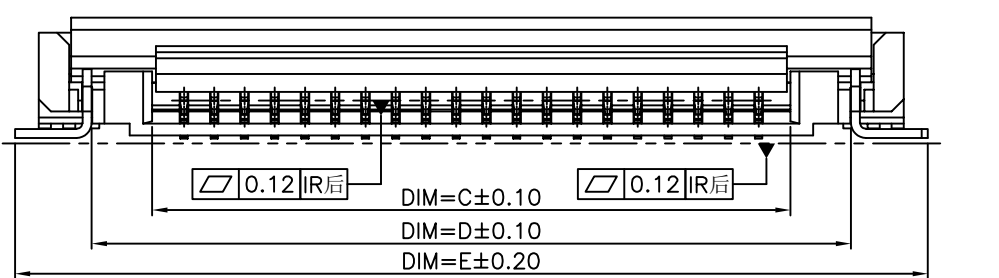
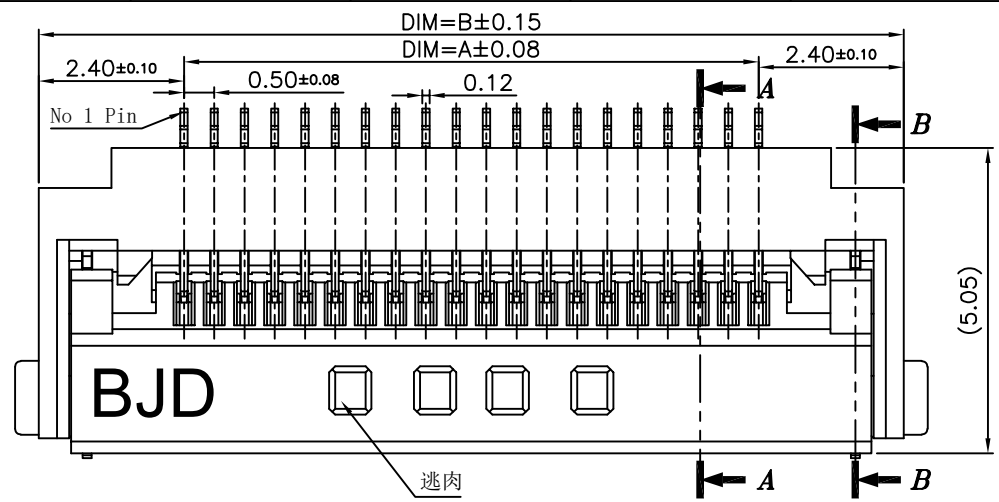
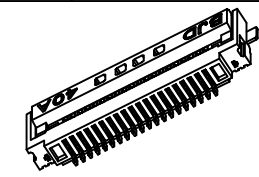
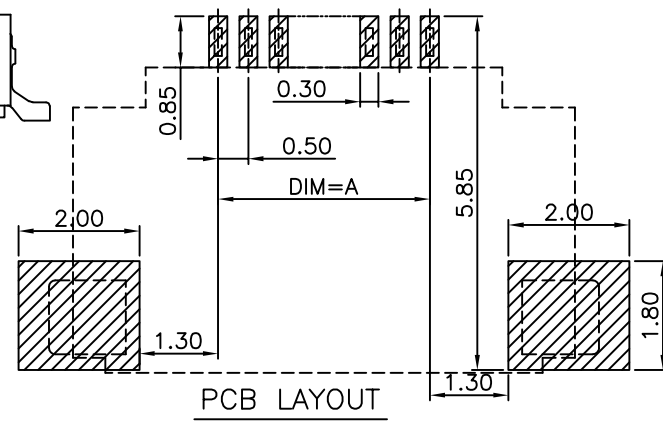
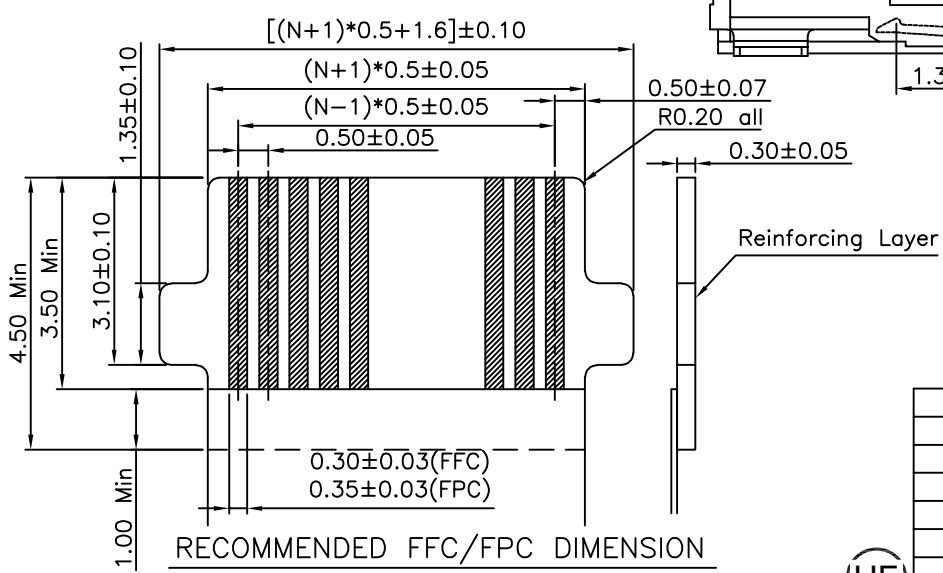
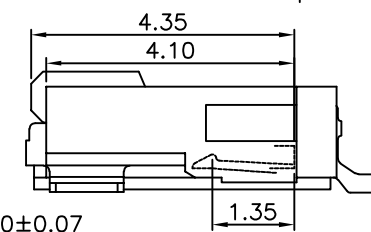
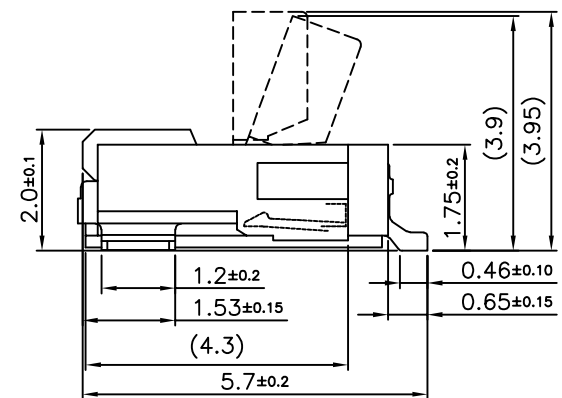


Notes:

- 1.Housing material: LCP (UL94V-0),Color:Black.
- 2.Actuator material: LCP (UL94V-0),Color:Black.
- 3.Terminal material: phosphor bronze.  
The overall 1.25um~2.5um Nickel Plated.  
contact and solder area gold plated 0.075um min.
- 4.Fitting nail material: phosphor bronze.  
The overall 1.25um~2.5um Nickel Plated.  
Plated with matte Tin(100%) 2um~3.75um.
- 5.Recycled materials account for 20%
- 6.PART NO. Specifications: 101097-20XX50
- 7.CPK more than 1.67.



tape and reel packaging      Number of positions      plating



Pin数	DIM-A	DIM-B	DIM-C	DIM-D	DIM-E
4	1.50	6.30	2.55	4.55	7.09
5	2.00	6.80	3.05	5.05	7.59
6	2.50	7.30	3.55	5.55	8.09
7	3.00	7.80	4.05	6.05	8.59
8	3.50	8.30	4.55	6.55	9.09
9	4.00	8.80	5.05	7.05	9.59
10	4.50	9.30	5.55	7.55	10.09
11	5.00	9.80	6.05	8.05	10.59
12	5.50	10.30	6.55	8.55	11.09
13	6.00	10.80	7.05	9.05	11.59
14	6.50	11.30	7.55	9.55	12.09
15	7.00	11.80	8.05	10.05	12.59
16	7.50	12.30	8.55	10.55	13.09
17	8.00	12.80	9.05	11.05	13.59
18	8.50	13.30	9.55	11.55	14.09
19	9.00	13.80	10.05	12.05	14.59
20	9.50	14.30	10.55	12.55	15.09
21	10.00	14.80	11.05	13.05	15.59
22	10.50	15.30	11.55	13.55	16.09
23	11.00	15.80	12.05	14.05	16.59
24	11.50	16.30	12.55	14.55	17.09
25	12.00	16.80	13.05	15.05	17.59
26	12.50	17.30	13.55	15.55	18.09
27	13.00	17.80	14.05	16.05	18.59
28	13.50	18.30	14.55	16.55	19.09
29	14.00	18.80	15.05	17.05	19.59
30	14.50	19.30	15.55	17.55	20.09
31	15.00	19.80	16.05	18.05	20.59
32	15.50	20.30	16.55	18.55	21.09
33	16.00	20.80	17.05	19.05	21.59
34	16.50	21.30	17.55	19.55	22.09
35	17.00	21.80	18.05	20.05	22.59
36	17.50	22.30	18.55	20.55	23.09
37	18.00	22.80	19.05	21.05	23.59
38	18.50	23.30	19.55	21.55	24.09
39	19.00	23.80	20.05	22.05	24.59
40	19.50	24.30	20.55	22.55	25.09
41	20.00	24.80	21.05	23.05	25.59
42	20.50	25.30	21.55	23.55	26.09
43	21.00	25.80	22.05	24.05	26.59
44	21.50	26.30	22.55	24.55	27.09
45	22.00	26.80	23.05	25.05	27.59
46	22.50	27.30	23.55	25.55	28.09
47	23.00	27.80	24.05	26.05	28.59
48	23.50	28.30	24.55	26.55	29.09
49	24.00	28.80	25.05	27.05	29.59
50	24.50	29.30	25.55	27.55	30.09
51	25.00	29.80	26.05	28.05	30.59
52	25.50	30.30	26.55	28.55	31.09
53	26.00	30.80	27.05	29.05	31.59
54	26.50	31.30	27.55	29.55	32.09
55	27.00	31.80	28.05	30.05	32.59
56	27.50	32.30	28.55	30.55	33.09
57	28.00	32.80	29.05	31.05	33.59
58	28.50	33.30	29.55	31.55	34.09
59	29.00	33.80	30.05	32.05	34.59
60	29.50	34.30	30.55	32.55	35.09
61	30.00	34.80	31.05	33.05	35.59
62	30.50	35.30	31.55	33.55	36.09
63	31.00	35.80	32.05	34.05	36.59
64	31.50	36.30	32.55	34.55	37.09
65	32.00	36.80	33.05	35.05	37.59
66	32.50	37.30	33.55	35.55	38.09
67	33.00	37.80	34.05	36.05	38.59
68	33.50	38.30	34.55	36.55	39.09
69	34.00	38.80	35.05	37.05	39.59
70	34.50	39.30	35.55	37.55	40.09

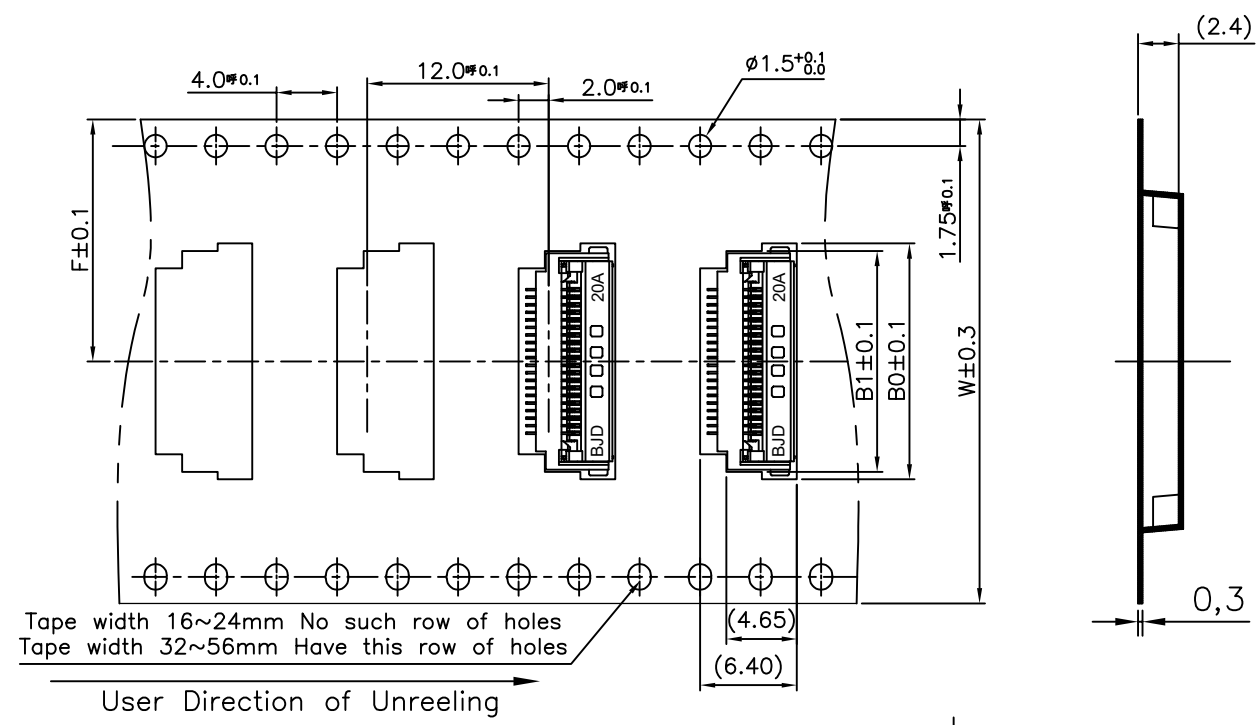
				UNLESS OTHERWISE SPECIFIED TOLERANCES ARE	
				X.	
				X.X	±0.20
				X.XX	±0.10
				X.XXX	
				ANG.	±0°30'
				UNIT	MM
SER	REVISIONS	CHK	DATE		

客户图 Drawings		北极大电子科技有限公司 BEIJIDA ELECTRONICS TECHNOLOGY CO. LIMITED	
APPROVED	DATE	COMPUTER NO	
陈天舒	2021-12-01	101097-20XX50-HF	
CHECKED	DATE	NAME	
陈天舒	2021-12-01	FPC0.5-26掀盖式H2.0成品(无卤)	
DRAWN	DATE	SIZE	SCALE
陈	2021-12-01	A4	8:1
		REV	A

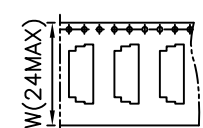


Pin NO	B0	B1	F	W	quantity per reel
4	7.60	6.60	6.25	16	
5	8.10	7.10	10.25	24	
6	8.60	7.60	10.25	24	
7	9.10	8.10	10.25	24	
8	9.60	8.60	10.25	24	
9	10.10	9.10	10.25	24	
10	10.60	9.60	10.25	24	
11	11.10	10.10	10.25	24	
12	11.60	10.60	10.25	24	
13	12.10	11.10	10.25	24	
14	12.60	11.60	10.25	24	
15	13.10	12.10	10.25	24	
16	13.60	12.60	10.25	24	
17	14.10	13.10	10.25	24	
18	14.60	13.60	10.25	24	
19	15.10	14.10	10.25	24	
20	15.60	14.60	10.25	24	
21	16.10	15.10	14.25	32	
22	16.60	15.60	14.25	32	
23	17.10	16.10	14.25	32	
24	17.60	16.60	14.25	32	
25	18.10	17.10	14.25	32	
26	18.60	17.60	14.25	32	
27	19.10	18.10	14.25	32	
28	19.60	18.60	14.25	32	
29	20.10	19.10	14.25	32	
30	20.60	19.60	20.25	44	
31	21.10	20.10	20.25	44	
32	21.60	20.60	20.25	44	
33	22.10	21.10	20.25	44	
34	22.60	21.60	20.25	44	
35	23.10	22.10	20.25	44	
36	23.60	22.60	20.25	44	
37	24.10	23.10	20.25	44	
38	24.60	23.60	20.25	44	
39	25.10	24.10	20.25	44	
40	25.60	24.60	20.25	44	
41	26.10	25.10	20.25	44	
42	26.60	25.60	20.25	44	
43	27.10	26.10	20.25	44	
44	27.60	26.60	20.25	44	
45	28.10	27.10	20.25	44	
46	28.60	27.60	20.25	44	
47	29.10	28.10	20.25	44	
48	29.60	28.60	20.25	44	
49	30.10	29.10	20.25	44	
50	30.60	29.60	20.25	44	
51	31.10	30.10	20.25	44	
52	31.60	30.60	20.25	44	
53	32.10	31.10	20.25	44	
54	32.60	31.60	20.25	44	
55	33.10	32.10	20.25	44	
56	33.60	32.60	26.25	56	
57	34.10	33.10	26.25	56	
58	34.60	33.60	26.25	56	
59	35.10	34.10	26.25	56	
60	35.60	34.60	26.25	56	
61	36.10	35.10	26.25	56	
62	36.60	35.60	26.25	56	
63	37.10	36.10	26.25	56	
64	37.60	36.60	26.25	56	
65	38.10	37.10	26.25	56	
66	38.60	37.60	26.25	56	
67	39.10	38.10	26.25	56	
68	39.60	38.60	26.25	56	
69	40.10	39.10	26.25	56	
70	40.60	39.60	26.25	56	

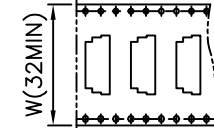
2000PCS/volume



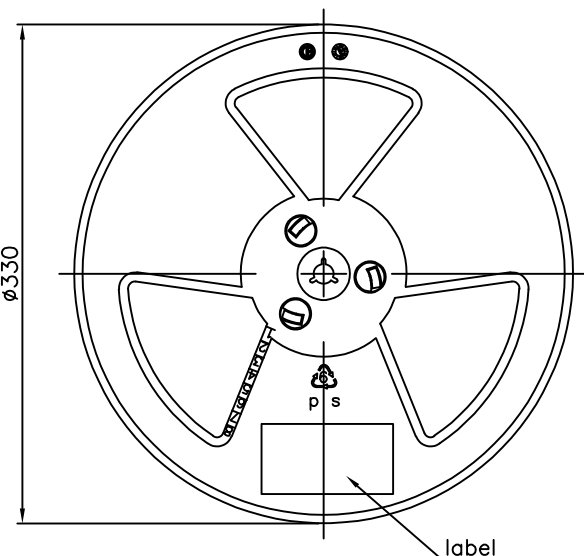
Tape width 16~24mm No such row of holes  
Tape width 32~56mm Have this row of holes



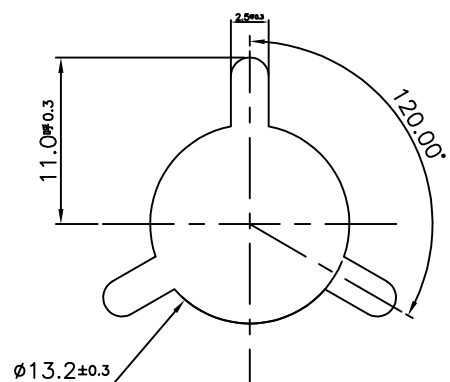
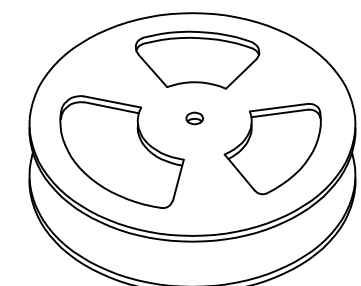
Tape width:  
Maximum of  
24mm



Tape width:  
Minimum of  
32mm



SCALE 1:10



SCALE 1:1

PART NO. SPECIFICATION: 101097-20XX50-HF

Number of positions

SER	REVISIONS	CHK	DATE

UNLESS OTHERWISE SPECIFIED TOLERANCES ARE	
X.	
X.X	±0.20
X.XX	±0.10
X.XXX	
ANG.	±0°30'
UNIT	MM

包装图		北极大电子科技有限公司		
Packaging Figure		BEIJIDA ELECTRONICS TECHNOLOGY CO. LIMITED		
APPROVED	DATE	COMPUTER NO		
陈天舒	2021-12-01	101097-20XX50-HF		
CHECKED	DATE	NAME		
陈天舒	2021-12-01	FPC0.5-26掀盖式H2.0成品(无卤)		
DRAWN	DATE	SIZE	SCALE	REV
陈	2021-12-01	A4	2:1	A