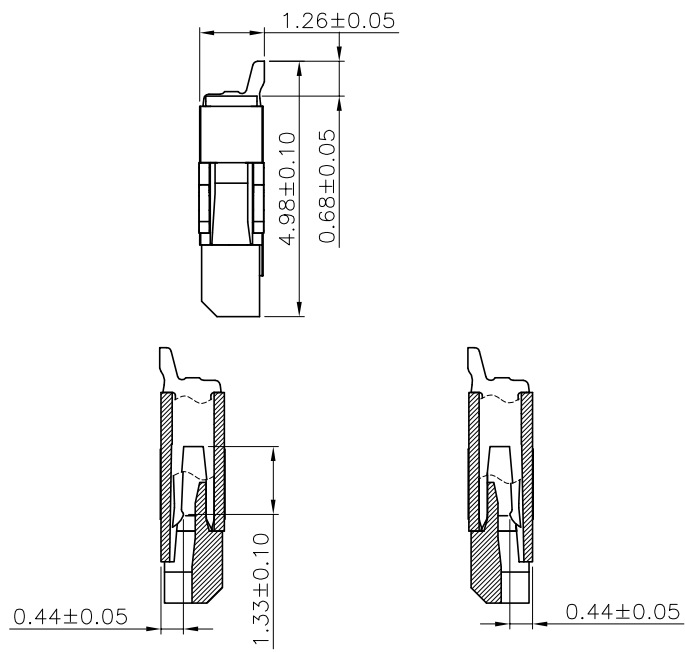


- NOTES:
- HOUSING MATERIAL: HEAT RESISTANT PLASTIC UL94 V-0.  
ACTUATOR MATERIAL: HEAT RESISTANT PLASTIC UL94 V-0.
  - TERMINAL MATERIAL: PHOSPHOR BRONZE.  
2-1.PLATED WITH BRIGHT TIN(100%) 80u"~150u"  
2-2.PLATED WITH MATTE TIN(100%) 80u"~150u"  
2-3.PLATED WITH GOLD MORE THAN 1u / 3u.
  - FITTING NAIL MATERIAL: BRASS.  
3-1.PLATED WITH BRIGHT TIN(100%) 80u"~150u"  
3-2.PLATED WITH MATTE TIN(100%) 80u"~150u"
  - PARTS NO: 10103X-XOXXX0

- 0:下接  
1:上接
- 1:管装  
2:卷装  
3:袋装  
4:其他
- PIN数
- 1:雾锡  
2:亮锡  
3:镀金1u'  
5:镀金3u'  
6:半金锡

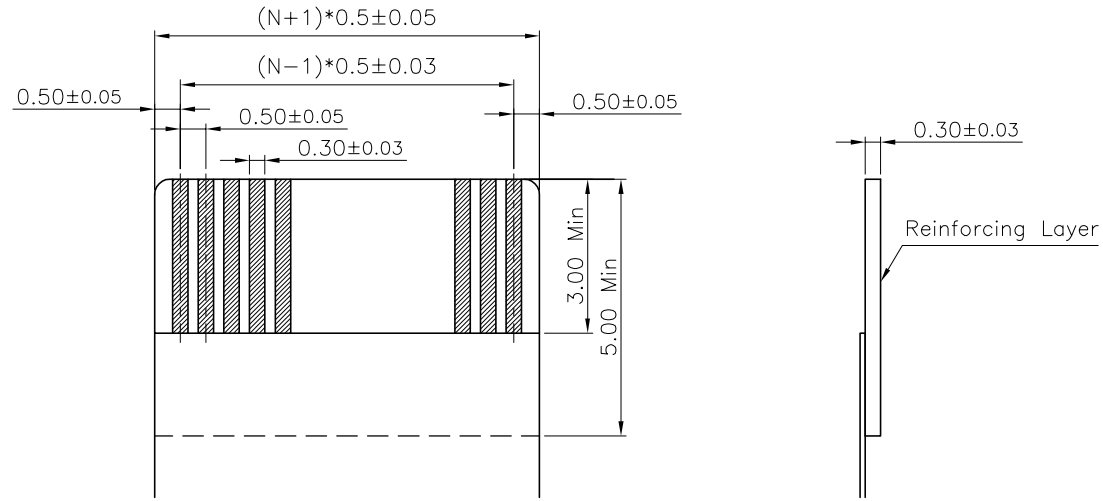


Bottom Contact Side      Upper Contact Side.

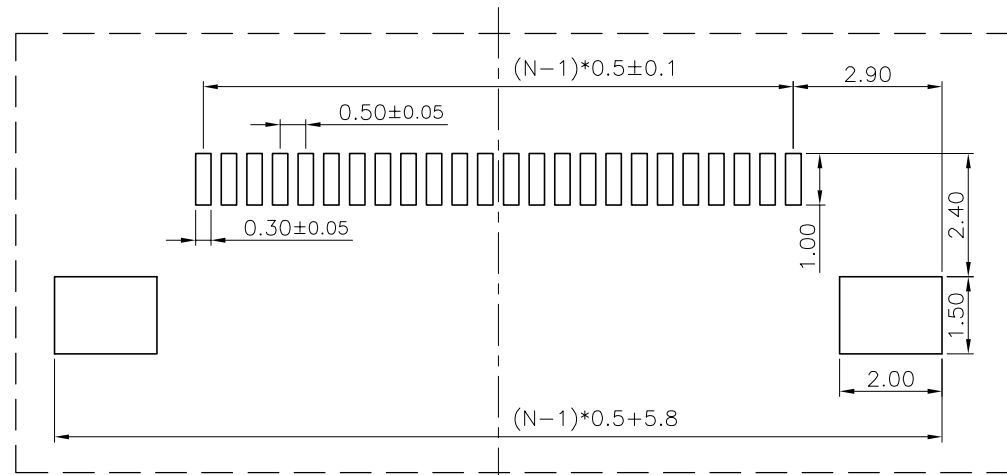
SECTION:A-A

DIMENSION				
NO.OF PIN	A	B	C	D
4	8.00	6.80	1.50	2.58
5	8.50	7.30	2.00	3.08
6	9.00	7.80	2.50	3.58
7	9.50	8.30	3.00	4.08
8	10.00	8.80	3.50	4.58
9	10.50	9.30	4.00	5.08
10	11.00	9.80	4.50	5.58
11	11.50	10.30	5.00	6.08
12	12.00	10.80	5.50	6.58
13	12.50	11.30	6.00	7.08
14	13.00	11.80	6.50	7.58
15	13.50	12.30	7.00	8.08
16	14.00	12.80	7.50	8.58
17	14.50	13.30	8.00	9.08
18	15.00	13.80	8.50	9.58
19	15.50	14.30	9.00	10.08
20	16.00	14.80	9.50	10.58
21	16.50	15.30	10.00	11.08
22	17.00	15.80	10.50	11.58
23	17.50	16.30	11.00	12.08
24	18.00	16.80	11.50	12.58
25	18.50	17.30	12.00	13.08
26	19.00	17.80	12.50	13.58
27	19.50	18.30	13.00	14.08
28	20.00	18.80	13.50	14.58
29	20.50	19.30	14.00	15.08
30	21.00	19.80	14.50	15.58
31	21.50	20.30	15.00	16.08
32	22.00	20.80	15.50	16.58
33	22.50	21.30	16.00	17.08
34	23.00	21.80	16.50	17.58
35	23.50	22.30	17.00	18.08
36	24.00	22.80	17.50	18.58
37	24.50	23.30	18.00	19.08
38	25.00	23.80	18.50	19.58
39	25.50	24.30	19.00	20.08
40	26.00	24.80	19.50	20.58
41	26.50	25.30	20.00	21.08
42	27.00	25.80	20.50	21.58
43	27.50	26.30	21.00	22.08
44	28.00	26.80	21.50	22.58
45	28.50	27.30	22.00	23.08
46	29.00	27.80	22.50	23.58
47	29.50	28.30	23.00	24.08
48	30.00	28.80	23.50	24.58
49	30.50	29.30	24.00	25.08
50	31.00	29.80	24.50	25.58

				UNLESS OTHERWISE SPECIFIED TOLERANCES ARE		客户图 Drawings		北极大电子科技有限公司 BEIJIDA ELECTRONICS TECHNOLOGY CO. LIMITED			
				X. ±0.20 X.X ±0.10 X.XXX ANG. ±0°30'		APPROVED		DATE		COMPUTER NO 10103X-XOXXX0	
				UNIT MM		CHECKED 陈天舒		DATE 2012-04-15		NAME FPC0.5-10代H1.2拉拔式成品(1/2)	
SER REVISIONS				CHK DATE		DRAWN 张运兴		DATE 2012-04-15		SIZE A4	
										SCALE 7:1	
										REV A	



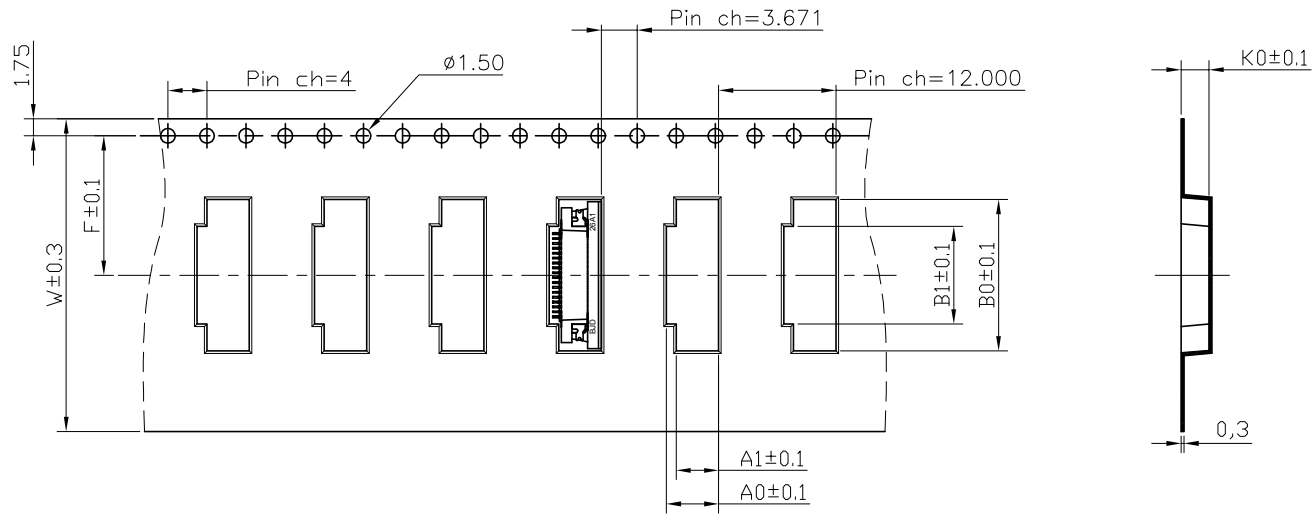
RECOMMENDED FFC/FPC DIMENSION



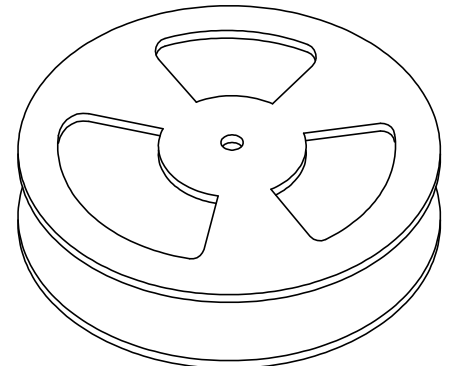
PCB LAYOUT

				UNLESS OTHERWISE SPECIFIED TOLERANCES ARE		<b>客户图</b>		<b>北极大电子科技有限公司</b>		
				X. ±0.20		Drawings		BEIJIDA ELECTRONICS TECHNOLOGY CO. LIMITED		
				X.X ±0.10		APPROVED		DATE		COMPUTER NO
				X.XXX ±0.05		CHECKED		DATE		10103X-X0XXX0
				ANG. ±0°30'		陈天舒		2012-04-15		NAME
				UNIT		张运兴		DATE		FPC0.5-10代H1.2拉拔式成品(2/2)
				MM		DRAWN		DATE		SIZE
				SER		张运兴		2012-04-15		A4
				REVISIONS		DATE		SCALE		REV
				CHK				7:1		A
				DATE						

Pin数	A0	A1	B0	B1	K0	F	W	卷数量
4			8.50	3.00		10.25	24	
5			9.00	3.50		10.25	24	
6			9.50	4.00		10.25	24	
7			10.00	4.50		10.25	24	
8			10.50	5.00		10.25	24	
9			11.00	5.50		10.25	24	
10			11.50	6.00		10.25	24	
11			12.00	6.50		10.25	24	
12			12.50	7.00		10.25	24	
13			13.00	7.50		10.25	24	
14			13.50	8.00		10.25	24	
15			14.00	8.50		14.25	32	
16			14.50	9.00		14.25	32	
17			15.00	9.50		14.25	32	
18			15.50	10.00		14.25	32	
19			16.00	10.50		14.25	32	
20			16.50	11.00		14.25	32	
21			17.00	11.50		14.25	32	
22			17.50	12.00		14.25	32	
23			18.00	12.50		14.25	32	
24			18.50	13.00		14.25	32	
25			19.00	13.50		20.25	44	
26			19.50	14.00		20.25	44	
27	4.35	5.35	20.00	14.50	1.60	20.25	44	2500PCS
28			20.50	15.00		20.25	44	/卷
29			21.00	15.50		20.25	44	
30			21.50	16.00		20.25	44	
31			22.00	16.50		20.25	44	
32			22.50	17.00		20.25	44	
33			23.00	17.50		20.25	44	
34			23.50	18.00		20.25	44	
35			24.00	18.50		20.25	44	
36			24.50	19.00		20.25	44	
37			25.00	19.50		20.25	44	
38			25.50	20.00		20.25	44	
39			26.00	20.50		20.25	44	
40			26.50	21.00		20.25	44	
41			27.00	21.50		20.25	44	
42			27.50	22.00		20.25	44	
43			28.00	22.50		20.25	44	
44			28.50	23.00		20.25	44	
45			29.00	23.50		20.25	44	
46			29.50	24.00		20.25	44	
47			30.00	24.50		20.25	44	
48			30.50	25.00		20.25	44	
49			31.00	25.50		20.25	44	
50			31.50	26.00		20.25	44	



User Direction of Unreeling



PART NO. SPECIFICATION: 10103X-20XXX0

- 1:上接
- 2:下接
- 1:管装
- 2:卷装
- 3:袋装
- 4:其他
- 1:雾锡
- 2:亮锡
- 3:镀金1u'
- 5:镀金3u'
- 6:半金锡

				UNLESS OTHERWISE SPECIFIED TOLERANCES ARE		<b>包装图</b>		<b>北极大电子科技有限公司</b>		
				X. ±0.1		<b>Packaging Figure</b>		<b>BEIJIDA ELECTRONICS TECHNOLOGY CO. LIMITED</b>		
				X.XX ±0.05		APPROVED		DATE		COMPUTER NO
				X.XXX		CHECKED		DATE		<b>10103X-20XXX0</b>
				ANG. ±0°30'		陈天舒		2012-04-15		NAME
				UNIT		张运兴		DATE		FPC0.5-10代H1.2拉拔式卷装图
SER	REVISIONS	CHK	DATE	MM	张运兴	2012-04-15		SIZE	SCALE	REV
								A4	3:4	A