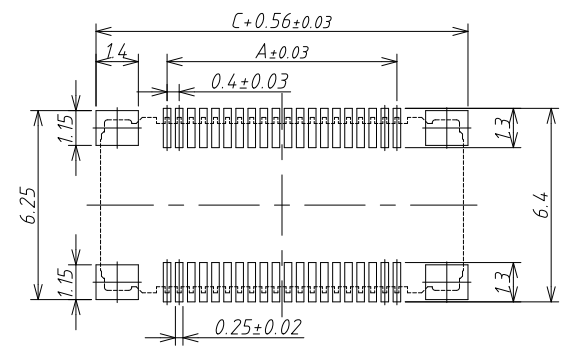
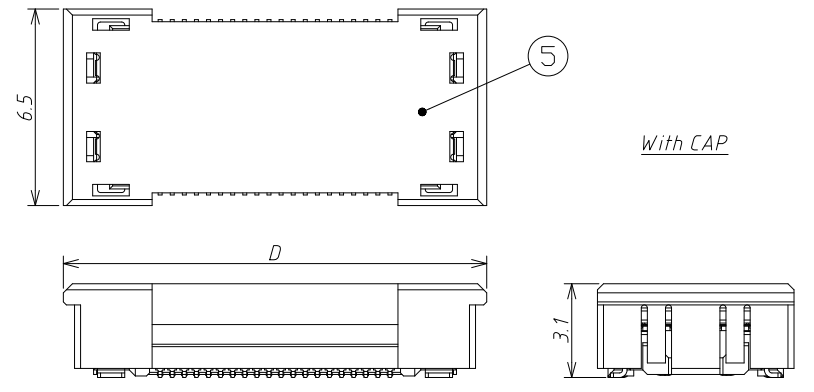
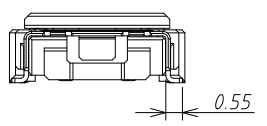
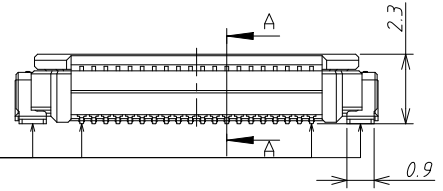
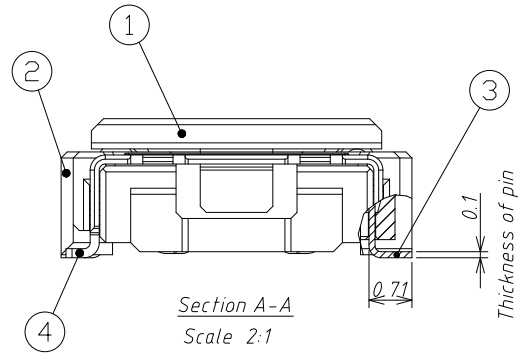
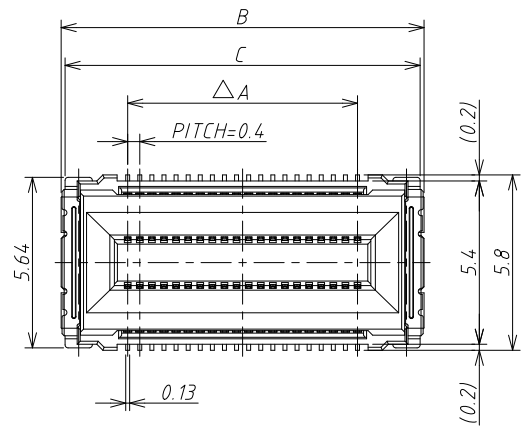
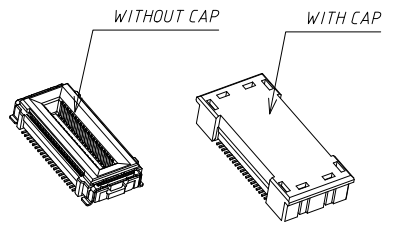


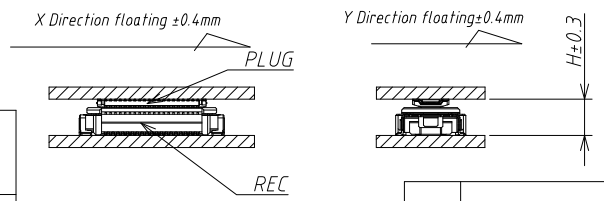
P/N	PIN	A	B	C	D
123059-602050-HF	20	3.6	8	7.74	10
123059-603050-HF	30	5.6	10	9.74	12
123059-604050-HF	40	7.6	12	11.74	14
123059-605050-HF	50	9.6	14	13.74	16
123059-606050-HF	60	11.6	16	15.74	18



Recommended land pattern dimension of PCB  
(General tol ±0.05)

NOTES:  
1. "▲" means Key dimensions, "Δ" means Important dimensions.  
2. PART NO. Specifications : 123059-60XX50-HF

XX: Code of signal contact quantity



PLUG	REC	STACKING HEIGHT	123059-60XX50-HF
123060-60XX50-HF		H=3mm	
123061-60XX50-HF		H=3.5mm	
123062-60XX50-HF		H=4mm	
123063-60XX50-HF		H=5mm	

No.	Part name	Quantity	Material	Plating
5	CAP	1	LCP, UL94V-0, Black	N/A
4	Hook	2	SUS	Under-plating: Nickel 60u"~140u" Surface-plating: Tin 80u"~150u"
3	Signal contact	Pin number	Copper alloy	Under-plating: Nickel 60u"MIN contact-plating: Au 4u" MIN. Tail-plating: Au 2u" MIN.
2	Guide	1	LCP, UL94V-0, Black	N/A
1	Insulator	1	LCP, UL94V-0, Black	N/A

UNLESS OTHERWISE SPECIFIED TOLERANCES ARE		客户图 Drawings		北极大电子科技有限公司 BEIJIDA ELECTRONICS TECHNOLOGY CO. LIMITED	
DIM ±0.3		APPROVED TS Chen	DATE 2023-08-01	COMPUTER NO 123059-60XX50-HF	
		CHECKED QF DONG	DATE 2023-08-01	NAME BTB0.4-1AREC	
		DRAWN GY CEN	DATE 2023-08-01	SIZE A4	SCALE 4:1
SER	REVISIONS	CHK	DATE	UNIT MM	REV