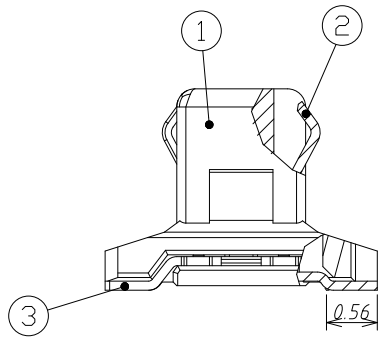
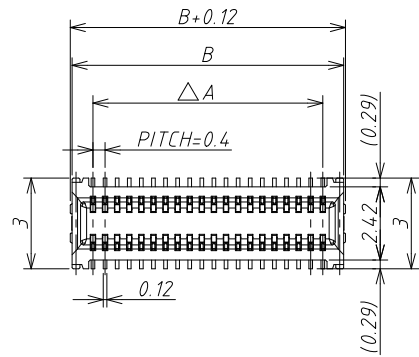
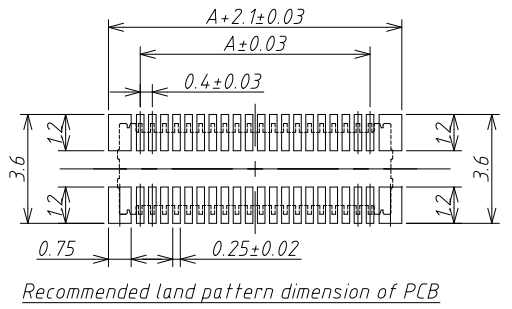
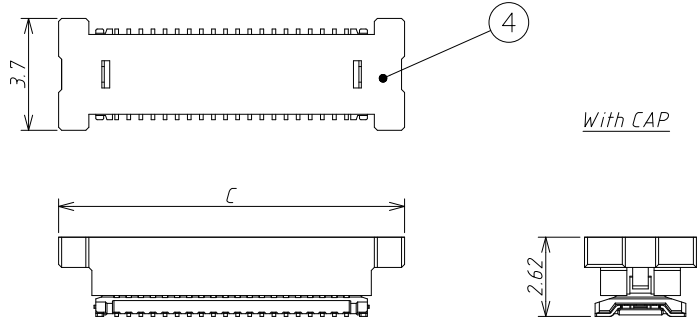


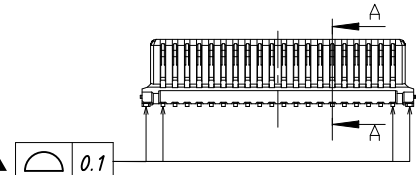
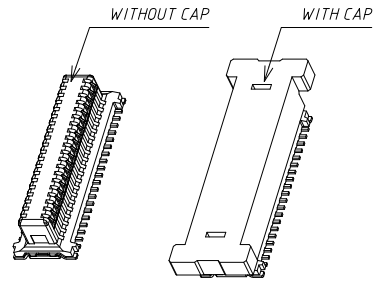
P/N	PIN	A	B	C
123060-602050-HF	20	3.6	4.98	7.44
123060-603050-HF	30	5.6	6.98	9.44
123060-604050-HF	40	7.6	8.98	11.44
123060-605050-HF	50	9.6	10.98	13.44
123060-606050-HF	60	11.6	12.98	15.44



Section A-A
Scale 3:1



(General tol ±0.05)



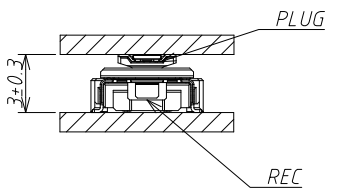
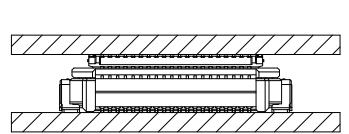
NOTES:

- 1. "▲" means Key dimention, "△" means Important dimensions.
- 2. PART NO. Specifications : 123060-60XX50-HF

XX: Code of signal contact quantity

X Direction floating ±0.4mm

Y Direction floating ±0.4mm



No.	Part name	Quantity	Material	Plating
4	CAP	1	LCP, UL94V-0, Black	N/A
3	Hook	2	SUS	Under-plating: Nickel 60u"~140u" Surface-plating: Tin 80u"~150u"
2	Signal contact	Pin number	Copper alloy	Under-plating: Nickel 60u"MIN contact-plating: Au 4u" MIN. Tail-plating: Au 2u" MIN.
1	Insulator	1	LCP, UL94V-0, Black	N/A

SER	REVISIONS	CHK	DATE	UNIT	DIM	客户图	客户图
				MM	±0.3	Drawings	北极大电子科技有限公司
						APPROVED	DATE
						TS Chen	2023-08-01
						CHECKED	DATE
						QF DONG	2023-08-01
						DRAWN	DATE
						GY CEN	2023-08-01
						SIZE	SCALE
						A4	4:1
						REV	

BEIJIDA ELECTRONICS TECHNOLOGY CO. LIMITED

COMPUTER NO
123060-60XX50-HF

NAME
BTB0.4-1B PLUG

SCALE
4:1