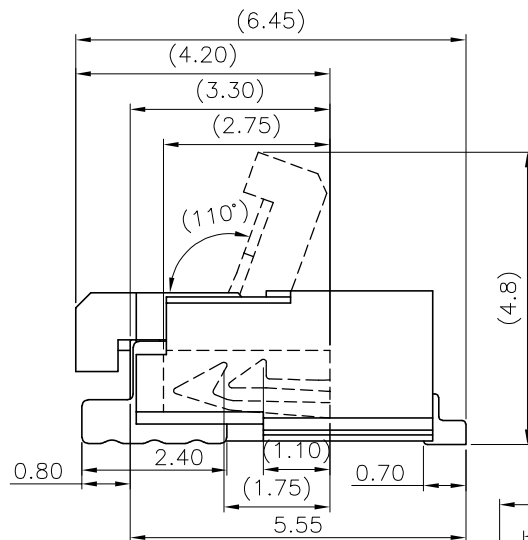
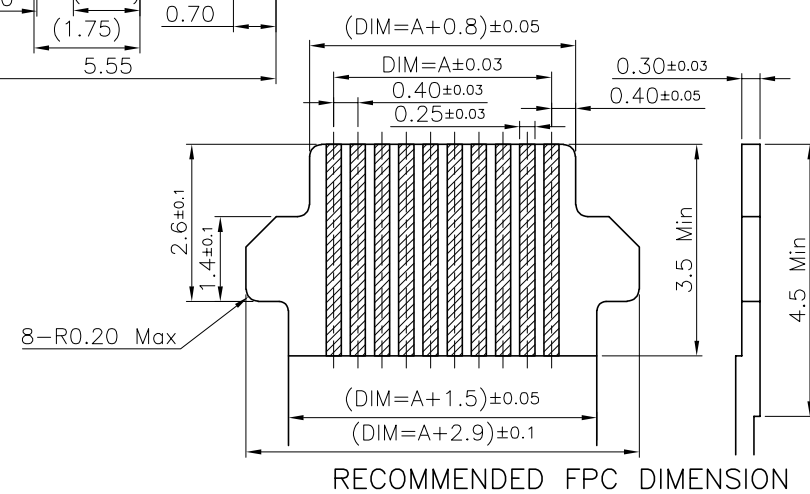


- Notes:
- Housing material: LCP(UL94V-0),Color:Black.
 - Actuator material: LCP(UL94V-0),Color:Black.
 - Terminal material: phosphor bronze.
The overall 1.25um~2.5um Nickel Plated.
contact and solder area gold plated 0.075um min.
 - Fitting nail material: phosphor bronze.
The overall 1.25um~2.5um Nickel Plated.
Plated with matte Tin(100%) 2um~3.75um.
 - ▲ "Key characteristic"; △ "important characteristic."
 - Recycled materials account for 20%
 - PART NO. Specifications: 101110-20XX50-HF
 - CPK more than 1.67.



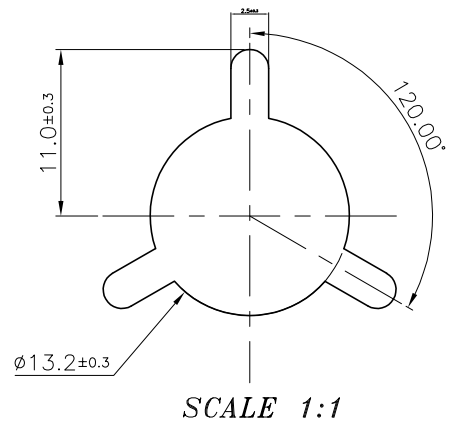
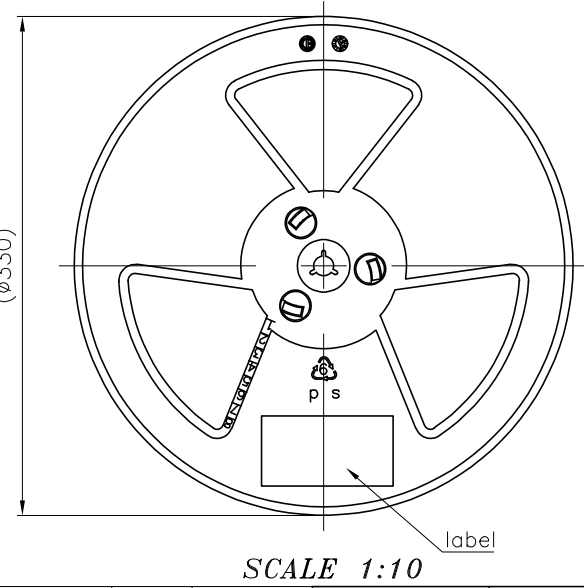
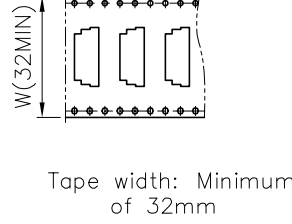
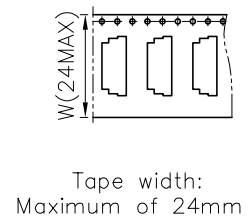
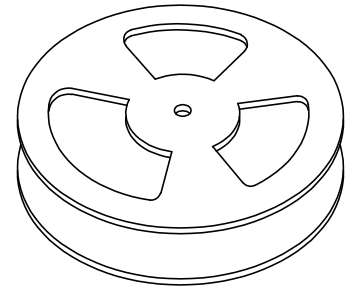
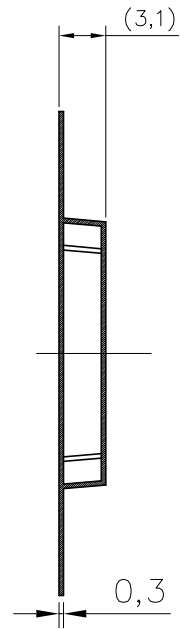
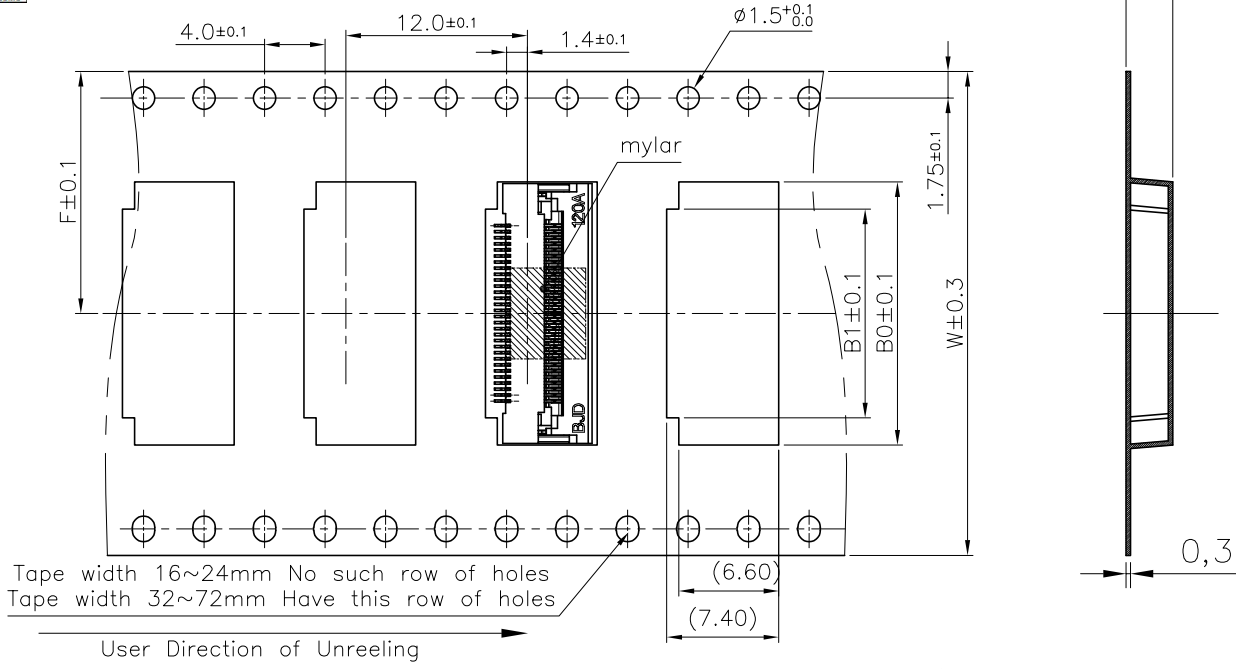
No. of Pin	DIM=A	DIM=B	DIM=C	Part number
120	47.60	53.20	51.70	101110-200250-HF
110	43.60	49.20	47.70	101110-200150-HF
100	39.60	45.20	43.70	101110-200050-HF
90	35.60	41.20	39.70	101110-209050-HF
80	31.60	37.20	35.70	101110-208050-HF
70	27.60	33.20	31.70	101110-207050-HF



SER	REVISIONS	CHK	DATE	UNIT	MM

UNLESS OTHERWISE SPECIFIED TOLERANCES ARE		客户图 Drawings		捷康电子科技有限公司 JUSTCONN ELECTRONICS TECHNOLOGY CO. LIMITED			
X.		APPROVED	DATE	COMPUTER NO			
X.X	±0.20	chentianshu	2023-08-31	101110-20XX50-HF			
X.XX	±0.10	CHECKED	DATE	NAME			
X.XXX		chentianshu	2023-08-31	FPC0.4-5 Connector H2.5			
ANG.	±0°30'	DRAWN	DATE	SIZE	SCALE	REV	
		chen	2023-08-31	A4	8:1	X1	

No. of Pin	B0	B1	F	W	Part number	quantity per reel
120	53.40	49.80	36.00	72.00	101110-200250-HF	1500PCS/volume



PART NO. SPECIFICATION: 101110-50XX50-HF
 ↓
 Number of positions

					UNLESS OTHERWISE SPECIFIED TOLERANCES ARE
					X.
					X.X ±0.20
					X.XX ±0.10
					X.XXX
					ANG. ±0'30'
					UNIT
SER	REVISIONS	CHK	DATE		MM

包装图 Packaging Figure	捷康电子科技有限公司 JUSTCONN ELECTRONICS TECHNOLOGY CO. LIMITED		
APPROVED chentianshu	DATE 2023-08-31	COMPUTER NO 101110-50XX50-HF	
CHECKED chentianshu	DATE 2023-08-31	NAME FPC0.4-5 Connector H2.5	
DRAWN chen	DATE 2023-08-31	SIZE A4	SCALE 2:1
			REV A