

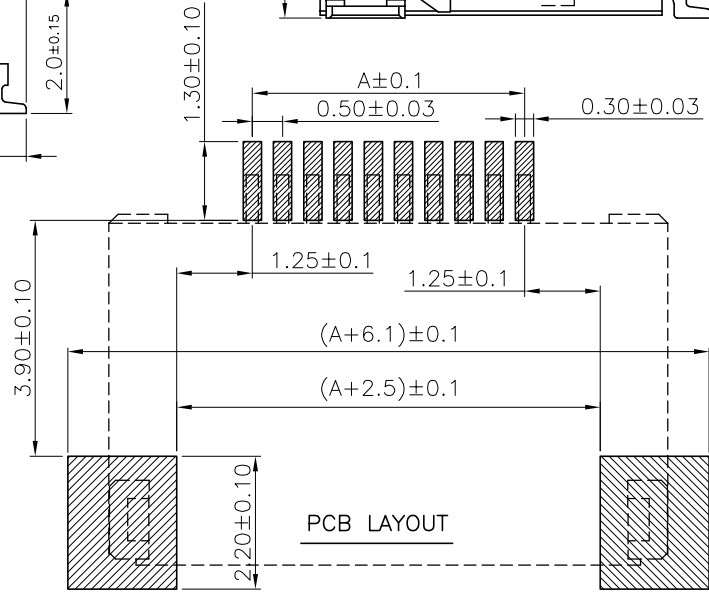
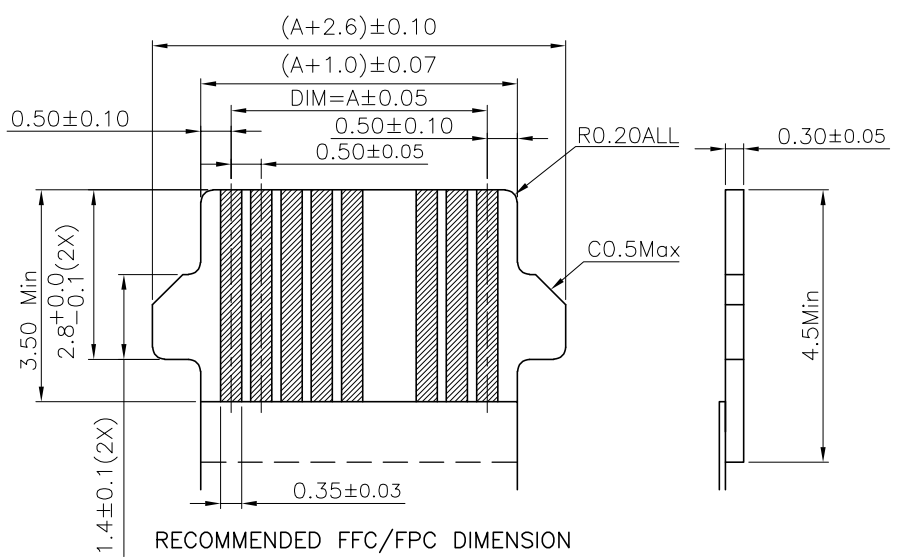
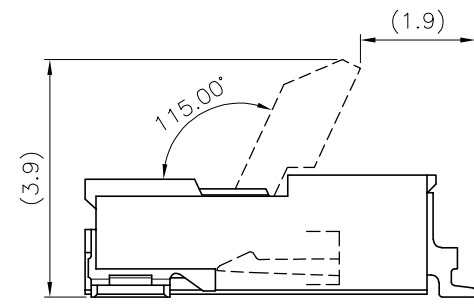
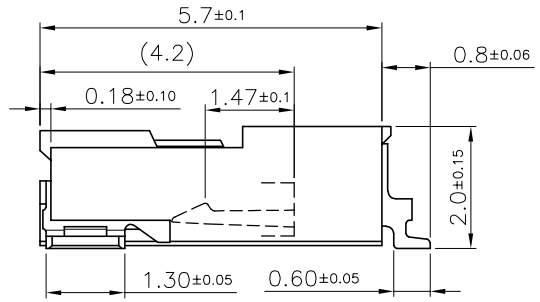
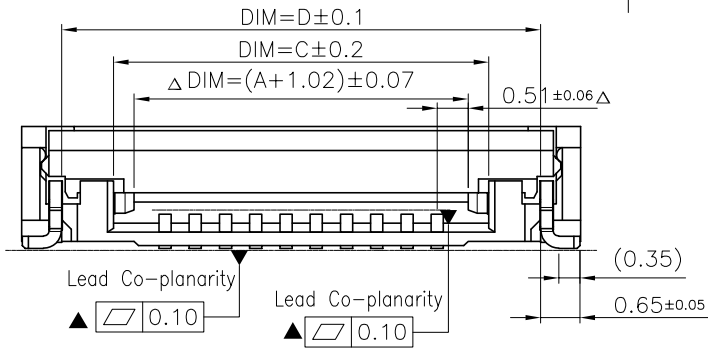
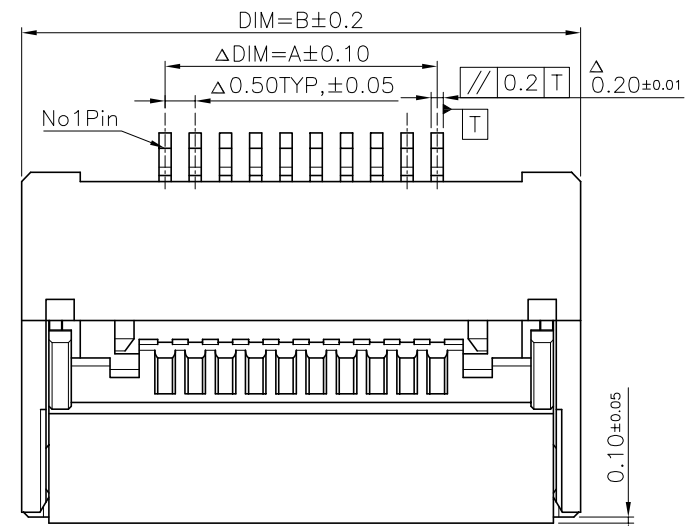
Notes:

- 1.Housing material: LCP GF 30%(UL94V-0),Color:Nature color.
- 2.Actuator material: PA-9T GF 30%(UL94V-0),Color:Black.
- 3.Terminal material: phosphor bronze.
The overall 1.25um~2.5um Nickel Plated.
contact and solder area gold plated 0.075um min.
- 4.Fitting nail material: phosphor bronze.
The overall 1.25um~2.5um Nickel Plated.
Plated with matte Tin(100%) 2um~3.75um.
5. *Key characteristic; Δ important characteristic.
- 6.Recycled materials account for 20%
- 7.PART NO. Specifications: 101101-20XX50

Cleanliness requirements

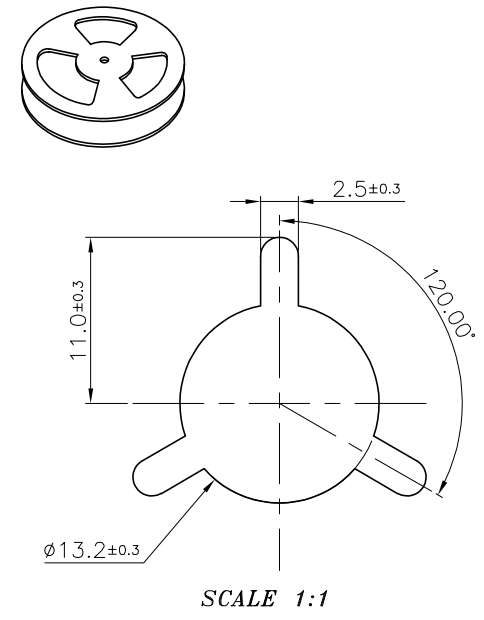
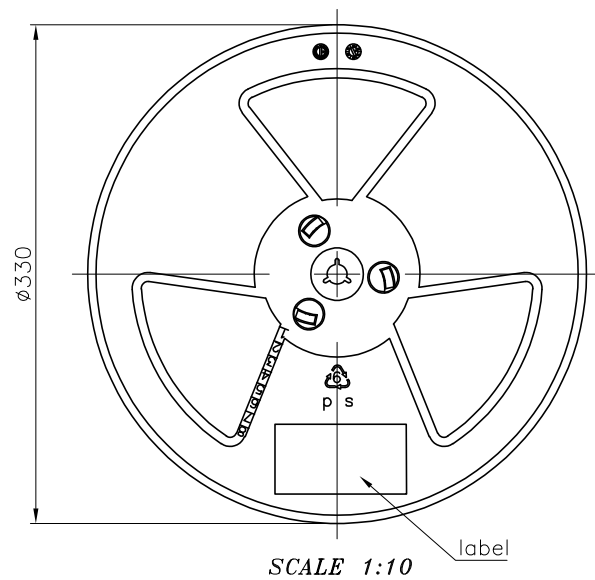
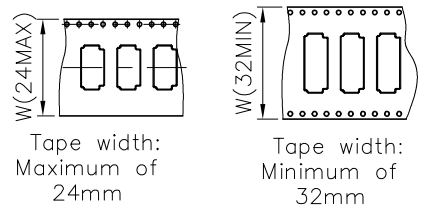
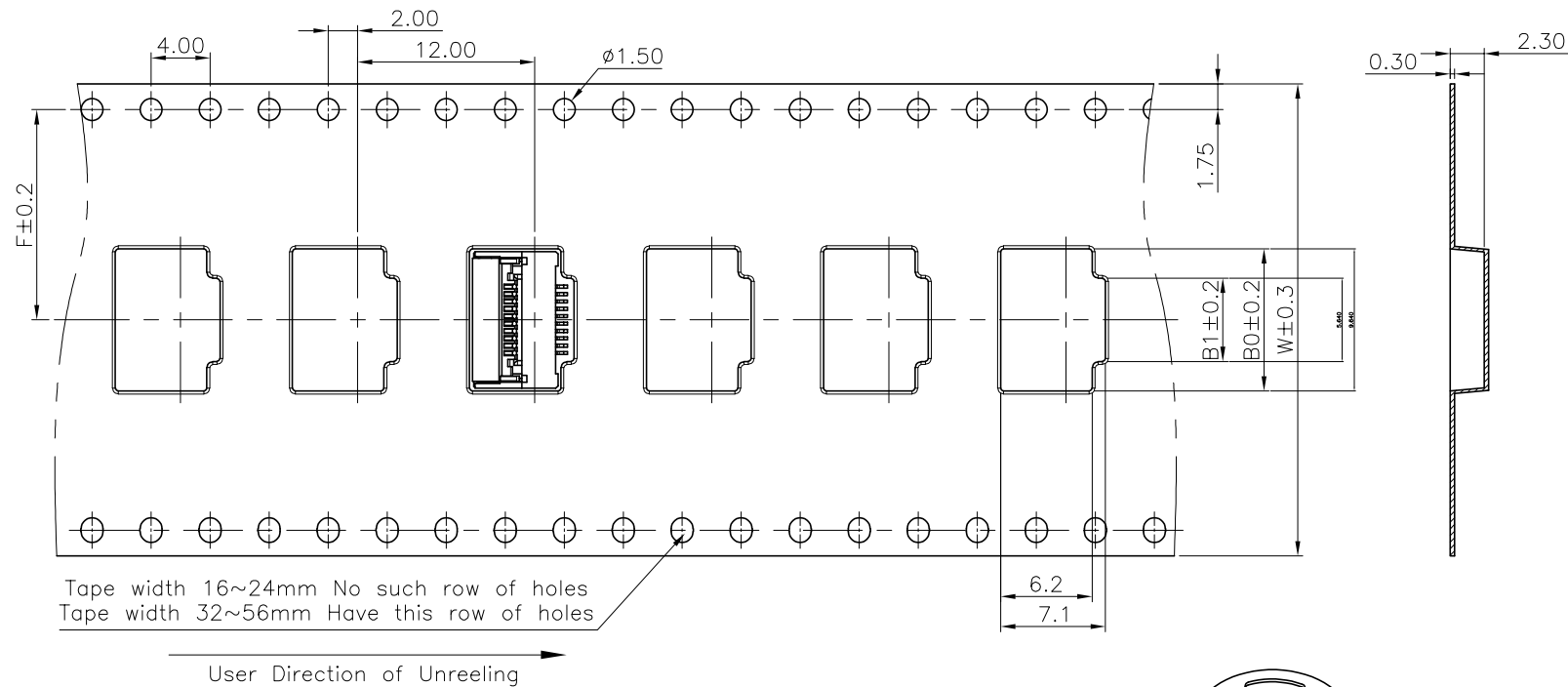
- Maximal contamination of metallic shiny, reference per surface of 1000 cm²
 CCC = A (E10/F8/G6/H6/I-K00)
 Maximal contamination of non-metallic shiny, reference per surface of 1000 cm²
 CCC=A(E11/F10/G9/H6/I3/J-K00)
 Maximal contamination of fibers, reference per surface of 1000 cm²
 CCC=A(E11/F10/G9/H6/I3/J3/K00)

NO. OF PIN	DIMENSION			
	A	B	C	D
4	1.50	6.20	3.20	4.92
5	2.00	6.70	3.70	5.42
6	2.50	7.20	4.20	5.92
7	3.00	7.70	4.70	6.42
8	3.50	8.20	5.20	6.92
9	4.00	8.70	5.70	7.42
10	4.50	9.20	6.20	7.92
11	5.00	9.70	6.70	8.42
12	5.50	10.20	7.20	8.92
13	6.00	10.70	7.70	9.42
14	6.50	11.20	8.20	9.92
15	7.00	11.70	8.70	10.42
16	7.50	12.20	9.20	10.92
17	8.00	12.70	9.70	11.42
18	8.50	13.20	10.20	11.92
19	9.00	13.70	10.70	12.42
20	9.50	14.20	11.20	12.92
21	10.00	14.70	11.70	13.42
22	10.50	15.20	12.20	13.92
23	11.00	15.70	12.70	14.42
24	11.50	16.20	13.20	14.92
25	12.00	16.70	13.70	15.42
26	12.50	17.20	14.20	15.92
27	13.00	17.70	14.70	16.42
28	13.50	18.20	15.20	16.92
29	14.00	18.70	15.70	17.42
30	14.50	19.20	16.20	17.92
31	15.00	19.70	16.70	18.42
32	15.50	20.20	17.20	18.92
33	16.00	20.70	17.70	19.42
34	16.50	21.20	18.20	19.92
35	17.00	21.70	18.70	20.42
36	17.50	22.20	19.20	20.92
37	18.00	22.70	19.70	21.42
38	18.50	23.20	20.20	21.92
39	19.00	23.70	20.70	22.42
40	19.50	24.20	21.20	22.92
41	20.00	24.70	21.70	23.42
42	20.50	25.20	22.20	23.92
43	21.00	25.70	22.70	24.42
44	21.50	26.20	23.20	24.92
45	22.00	26.70	23.70	25.42
46	22.50	27.20	24.20	25.92
47	23.00	27.70	24.70	26.42
48	23.50	28.20	25.20	26.92
49	24.00	28.70	25.70	27.42
50	24.50	29.20	26.20	27.92
51	25.00	29.70	26.70	28.42
52	25.50	30.20	27.20	28.92
53	26.00	30.70	27.70	29.42
54	26.50	31.20	28.20	29.92
55	27.00	31.70	28.70	30.42
56	27.50	32.20	29.20	30.92
57	28.00	32.70	29.70	31.42
58	28.50	33.20	30.20	31.92
59	29.00	33.70	30.70	32.42
60	29.50	34.20	31.20	32.92
61	30.00	34.70	31.70	33.42
62	30.50	35.20	32.20	33.92
63	31.00	35.70	32.70	34.42
64	31.50	36.20	33.20	34.92
65	32.00	36.70	33.70	35.42
66	32.50	37.20	34.20	35.92
67	33.00	37.70	34.70	36.42
68	33.50	38.20	35.20	36.92



				UNLESS OTHERWISE SPECIFIED TOLERANCES ARE		客户图 Drawings		北极大电子科技有限公司 BEIJIDA ELECTRONICS TECHNOLOGY CO. LIMITED		
				X.		APPROVED	DATE	COMPUTER NO		
				X.X	±0.20	陈天舒	2022-03-10	101101-20XX50		
				X.XX	±0.10	CHECKED	DATE	NAME		
				X.XXX		陈天舒	2022-03-10	FPC0.5-25掀盖式H2.0成品		
				ANG.	±0°30'	DRAWN	DATE	SIZE	SCALE	REV
SER	REVISIONS	CHK	DATE	UNIT	MM	陈	2022-03-10	A4	8:1	A

Pin NO	B0	B1	F	W	quantity per reel
4	6.64	2.64	6.25	16	2000PCS /volume
5	7.14	3.14	6.25	16	
6	7.64	3.64	6.25	16	
7	8.14	4.14	6.25	16	
8	8.64	4.64	6.25	16	
9	9.14	5.14	6.25	16	
10	9.64	5.64	10.25	24	
11	10.14	6.14	10.25	24	
12	10.64	6.64	10.25	24	
13	11.14	7.14	10.25	24	
14	11.64	7.64	10.25	24	
15	12.14	8.14	10.25	24	
16	12.64	8.64	10.25	24	
17	13.14	9.14	10.25	24	
18	13.64	9.64	10.25	24	
19	14.14	10.14	10.25	24	
20	14.64	10.64	10.25	24	
21	15.14	11.14	10.25	24	
22	15.64	11.64	14.25	32	
23	16.14	12.14	14.25	32	
24	16.64	12.64	14.25	32	
25	17.14	13.14	14.25	32	
26	17.64	13.64	14.25	32	
27	18.14	14.14	14.25	32	
28	18.64	14.64	14.25	32	
29	19.14	15.14	14.25	32	
30	19.64	15.64	14.25	32	
31	20.14	16.14	14.25	32	
32	20.64	16.64	14.25	32	
33	21.14	17.14	14.25	32	
34	21.64	17.64	20.25	44	
35	22.14	18.14	20.25	44	
36	22.64	18.64	20.25	44	
37	23.14	19.14	20.25	44	
38	23.64	19.64	20.25	44	
39	24.14	20.14	20.25	44	
40	24.64	20.64	20.25	44	
41	25.14	21.14	20.25	44	
42	25.64	21.64	20.25	44	
43	26.14	22.14	20.25	44	
44	26.64	22.64	20.25	44	
45	27.14	23.14	20.25	44	
46	27.64	23.64	20.25	44	
47	28.14	24.14	20.25	44	
48	28.64	24.64	20.25	44	
49	29.14	25.14	20.25	44	
50	29.64	25.64	26.25	56	
51	30.14	26.14	26.25	56	
52	30.64	26.64	26.25	56	
53	31.14	27.14	26.25	56	
54	31.64	27.64	26.25	56	
55	32.14	28.14	26.25	56	
56	32.64	28.64	26.25	56	
57	33.14	29.14	26.25	56	
58	33.64	29.64	26.25	56	
59	34.14	30.14	26.25	56	
60	34.64	30.64	26.25	56	
61	35.14	31.14	26.25	56	
62	35.64	31.64	26.25	56	
63	36.14	32.14	26.25	56	
64	36.64	32.64	26.25	56	
65	37.14	33.14	26.25	56	
66	37.64	33.64	26.25	56	
67	38.14	34.14	26.25	56	
68	38.64	34.64	26.25	56	



PART NO. SPECIFICATION:101101-20XX50

- Number of positions
- 1:Matte tin
 - 2:Bright tin
 - 3:Gold-plated 1u"
 - 5:Gold-plated 3u"

				UNLESS OTHERWISE SPECIFIED TOLERANCES ARE		包装图		北极大电子科技有限公司		
				X. ±0.20		Packaging Figure		BEIJIDA ELECTRONICS TECHNOLOGY CO. LIMITED		
				X.XX ±0.10		APPROVED		DATE		COMPUTER NO
				X.XXX		陈天舒		2022-03-10		101101-20XX50
				ANG. ±0°30'		CHECKED		DATE		NAME
						陈天舒		2022-03-10		FPC0.5-25Connector Packaging Figure
				UNIT		DRAWN		DATE		SIZE
				MM		陈		2022-03-10		SCALE
				SER						REV
				REVISIONS						A
				CHK						
				DATE						